

quality . service
innovation . integrity

130 Series



Features

The Flow-Mate series of submersible pumps is designed for use in residential or light commercial dewatering applications and can be used to transfer groundwater or effluent. These durable cast iron pumps include a powder coated epoxy finish to prevent corrosion and are designed to provide great heat dissipation from the motor, ensuring a long service life. As with every Zoeller® pump, each one is 100% pressure-tested, submerged and run to ensure quality and reliability for years of trouble-free performance! This attention to detail is an inherent feature of every pump in this series, making it one of the most reliable in the industry.

- Automatic models include a float-operated, 2-pole mechanical switch, a stainless steel float guard and switch arm, and a solid, buoyant polypropylene float, which prevents water from filling the float and causing a malfunction.
- For nonautomatic pumps, variable level control systems and containers of various sizes are available for longer cycles.
- Includes a stainless steel handle for easy installation and removal.
- All models are hermetically sealed to be watertight, dust-tight, and completely submersible.

Reserve Powered Design: For unusual conditions, a reserve safety factor is engineered into the design of every pump.

Specifications

Motor Characteristics

Motor	1/2 HP
Voltage	115 - 460 V
Phase	1 or 3 Ph
Hertz	60 Hz
RPM	1750 RPM
Type	Split phase or 3 phase
Insulation	Class B
Amps	1.4 - 10.7 Amps

Pump Characteristics

Operation	Automatic or nonautomatic
Auto On/ Off Points	10" / 2-3/4" (25.4 cm / 7 cm)
Discharge Size	1-1/2" NPT
Solids Handling	5/8" (15 mm) spherical solids
Cord Length	10' (3 m) auto, 15' (5 m) nonauto
Cord Type	UL listed, 3-wire neoprene cord
Max Head	26' (8 m)
Max Flow Rate	93 GPM (352 LPM)
Max Operating Temp	130 °F (54 °C)
Cooling	Oil filled
Motor Protection	Auto reset thermal overload (1 Ph)

Materials Characteristics

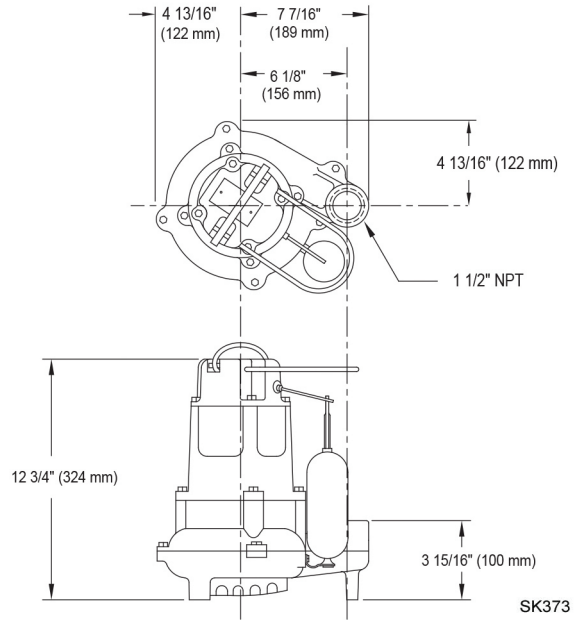
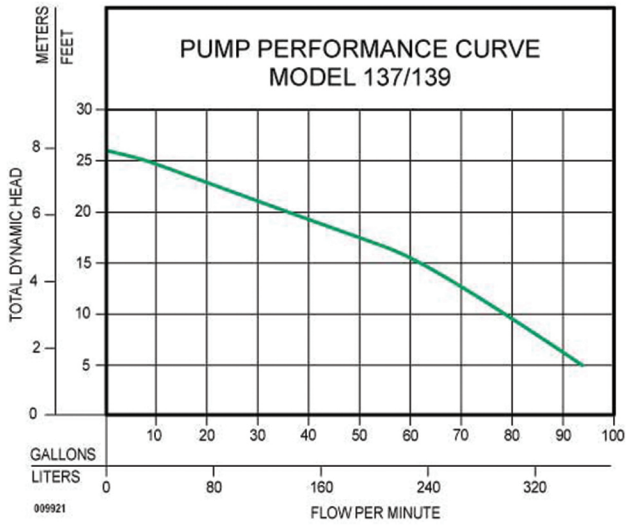
Cap	Cast iron or bronze
Motor Housing	Cast iron or bronze
Pump Housing	Cast iron or bronze
Base	Cast iron or bronze
Upper Bearing	Sleeve bearing or bronze
Lower Bearing	Sleeve bearing or bronze
Mechanical Seals	Carbon and ceramic
Impeller Type	Non-clogging vortex
Impeller	Cast iron or bronze
Hardware	Stainless steel
Motor Shaft	AISI 1215 cold roll steel
Gasket	Neoprene



PUMP COMPANY

Zoeller Family of Water Solutions™

130 Series



Model

Model Number	Seal	Mode	Volts	Phase	Amps	HP	Hz	Lbs	Kg
M137	Single	Auto	115	1	10.7	1/2	60	47	21
N137	Single	Non	115	1	10.7	1/2	60	46	21
BN137	Single	Auto	115	1	10.7	1/2	60	48	22
D137	Single	Auto	230	1	5.8	1/2	60	47	21
E137	Single	Non	230	1	5.8	1/2	60	48	22
H137	Single	Auto	200	1	6.2	1/2	60	48	22
I137	Single	Non	200	1	6.2	1/2	60	48	22
J137	Single	Non	200	3	2.6	1/2	60	46	21
F137	Single	Non	230	1	2.6	1/2	60	48	22
G137	Single	Non	460	3	1.4	1/2	60	48	22
BE137	Single	Non	230	1	5.8	1/2	60	48	22
M139	Single	Auto	115	1	10.7	1/2	60	51	23
N139	Single	Non	115	1	10.7	1/2	60	51	23
D139	Single	Auto	230	1	5.8	1/2	60	47	21
E139	Single	Non	230	1	5.8	1/2	60	48	22
H139	Single	Auto	200	1	6.2	1/2	60	48	22
I139	Single	Non	200	1	6.2	1/2	60	48	22
J139	Single	Non	200	3	2.6	1/2	60	50	23
F139	Single	Non	230	3	2.6	1/2	60	48	22
G139	Single	Non	460	3	1.4	1/2	60	48	22

Model 137 features all cast iron construction, and model 139 features all bronze construction. BN and BE models include a 20' (6 m) piggyback variable level pump switch.

Additional cord lengths are available in 15' (5 m), 25' (8 m), 35' (11 m) and 50' (15 m).

Your Peace of Mind is Our Top Priority®
 3649 Cane Run Rd | Louisville, KY 40211 USA
 +1 502-778-2731 | 1-800-928-7867 | Fax: +1 502-774-3624
www.zoeller.com