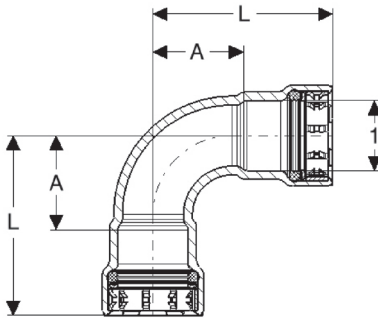


Dimensional Documentation

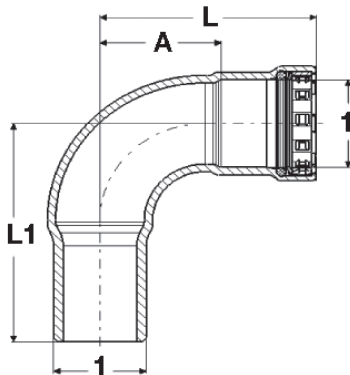
viega

Viega MegaPress® and MegaPressG Fitting System

Viega MegaPress 90° Elbow, Carbon Steel, P x P - Models 4816 / 6616

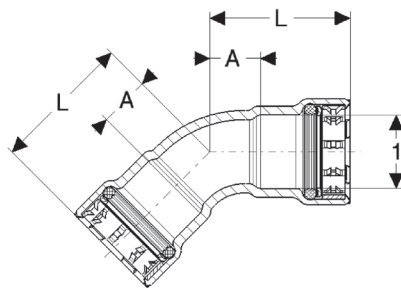


Part No.		Size	A (in)	L (in)
MegaPress	MegaPressG	1		
25200	25201	½"	1.17	2.24
25205	25206	¾"	1.36	2.52
25210	25211	1"	1.72	3.07
25215	25216	1¼"	2.00	3.82
25220	25221	1½"	2.26	4.13
25225	25226	2"	2.80	4.76



Viega MegaPress 90° Elbow, Carbon Steel, FTG x P - Models 4816.1 / 6616.1

Part No.		Size	A (in)	L (in)	L1 (in)
MegaPress	MegaPressG	1			
26050	26051	½"	1.17	2.24	2.56
26055	26056	¾"	1.36	2.52	2.80
26060	26061	1"	1.72	3.07	3.39
26065	26066	1¼"	2.00	3.82	4.04
26070	26071	1½"	2.26	4.13	4.21
26075	26076	2"	2.80	4.76	5.08

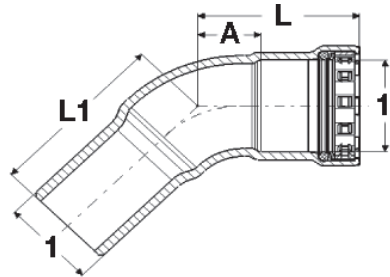


Viega MegaPress 90° Elbow, Carbon Steel, FTG x P - Models 4816.1 / 6616.1

Part No.		Size	A (in)	L (in)
MegaPress	MegaPressG	1		
25230	25231	½"	0.60	1.67
25235	25236	¾"	0.71	1.87
25240	25241	1"	0.86	2.20
25245	25246	1¼"	0.98	2.80
25250	25251	1½"	1.12	2.99
25255	25256	2"	1.32	3.29

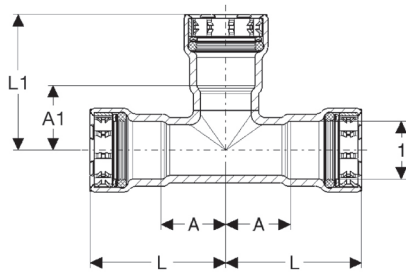
Dimensional Documentation

viega



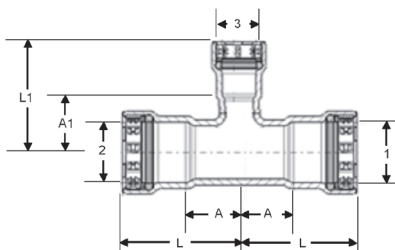
Viega MegaPress 45° Elbow, Carbon Steel, FTG x P - Models 4826.1 / 6626.1

Part No.		Size	A (in)	L (in)	L1 (in)
MegaPress	MegaPressG	1			
26100	26101	½"	0.60	1.67	1.97
26105	26106	¾"	0.71	1.87	2.13
26110	26111	1"	0.86	2.20	2.52
26115	26116	1¼"	0.98	2.80	2.99
26120	26121	1½"	1.12	2.99	3.07
26125	26126	2"	1.32	3.29	3.58



Viega MegaPress Tee, Carbon Steel, P x P x P - Models 4818 / 6618

Part No.		Size	A (in)	L (in)	A1 (in)	L1 (in)
MegaPress	MegaPressG	1				
25300	25301	½"	0.97	2.04	0.93	2.00
25305	25306	¾"	1.11	2.26	1.09	2.24
25310	25311	1"	1.23	2.57	1.23	2.57
25315	25316	1¼"	1.41	3.23	1.38	3.20
25320	25321	1½"	1.57	3.44	1.54	3.41
25325	25326	2"	1.78	3.75	1.80	3.77



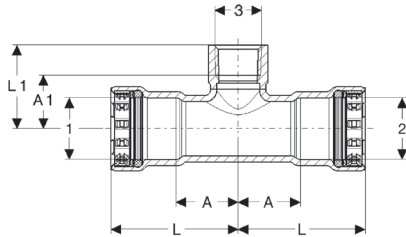
Viega MegaPress Reducing Tee, Carbon Steel, P x P x P - Models 4818 / 6618

Part No.		Size	A (in)	A1 (in)	L (in)	L1 (in)
MegaPress	MegaPressG	1 2 3				
25330	25331	¾" x ¾" x ½"	1.11	1.07	2.26	2.14
25335	25336	1" x 1" x ½"	1.23	1.20	2.57	2.28
25340	25341	1" x 1" x ¾"	1.23	1.24	2.57	2.40
25510	25491	1¼" x 1¼" x ½"	1.41	1.37	3.23	2.44
25515	25496	1¼" x 1¼" x ¾"	1.41	1.39	3.23	2.55
25350	25351	1¼" x 1¼" x 1"	1.41	1.38	3.23	2.73
25360	25361	1½" x 1½" x ½"	1.57	1.44	3.44	2.51
25365	25366	1½" x 1½" x ¾"	1.57	1.48	3.44	2.64
25370	25371	1½" x 1½" x 1"	1.57	1.48	3.44	2.83
25375	25376	1½" x 1½" x 1¼"	1.57	1.50	3.44	3.32
25380	25381	2" x 2" x ½"	1.81	1.74	3.78	2.81
25385	25386	2" x 2" x ¾"	1.81	1.80	3.78	2.95
25390	25391	2" x 2" x 1"	1.81	1.75	3.78	3.10
25395	25396	2" x 2" x 1¼"	1.81	1.78	3.78	3.60
25400	25401	2" x 2" x 1½"	1.78	1.84	3.75	3.71

Viega LLC, 100 N. Broadway, 6th Floor • Wichita, KS 67202 • Ph: 800-976-9819 • Fax: 316-425-7618

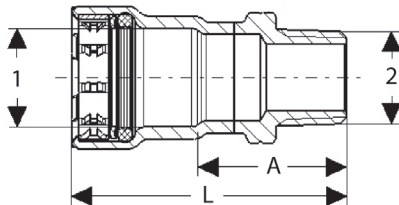
Dimensional Documentation

viega



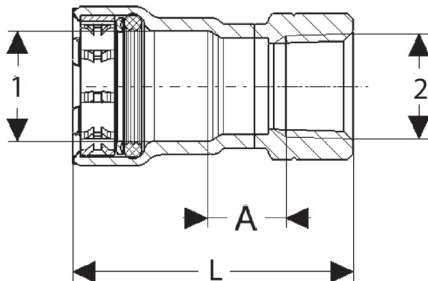
Viega MegaPress Reducing Tee, Carbon Steel, P x P x FPT - Models 4817.2 / 6617.2

Part No.		Size	A (in)	A1 (in)	L (in)	L1 (in)
MegaPress	MegaPressG	1 2 3				
25405	25406	¾" x ¾" x ½"	1.11	1.02	2.26	1.55
25480	25481	¾" x ¾" x ¾"	1.11	1.02	2.26	1.58
25410	25411	1" x 1" x ½"	1.23	1.19	2.57	1.73
25415	25416	1" x 1" x ¾"	1.23	1.18	2.57	1.73
25485	25486	1¼" x 1¼" x ½"	1.41	1.31	3.23	1.85
25505	25506	1¼" x 1¼" x ¾"	1.41	1.33	3.23	1.89
25500	25501	1¼" x 1¼" x 1"	1.41	1.37	3.23	2.03
25435	25436	1½" x 1½" x ½"	1.57	1.42	3.44	1.95
25440	25441	1½" x 1½" x ¾"	1.57	1.41	3.44	1.97
25445	25446	1½" x 1½" x 1"	1.57	1.57	3.44	2.24
25450	25451	1½" x 1½" x 1¼"	1.57	1.47	3.44	2.15
25455	25456	2" x 2" x ½"	1.81	1.70	3.78	2.24
25460	25461	2" x 2" x ¾"	1.81	1.72	3.78	2.28
25465	25466	2" x 2" x 1"	1.78	1.89	3.75	2.55
25470	25471	2" x 2" x 1¼"	1.78	1.77	3.75	2.45
25475	25476	2" x 2" x 1½"	1.81	1.73	3.78	2.41



Viega MegaPress Adapter, Carbon Steel, P x MPT - Models 4811 / 6611

Part No.		Size	A (in)	L (in)
MegaPress	MegaPressG	1 2		
25100	25101	½" x ½"	1.45	2.52
25105	25106	¾" x ¾"	1.50	2.66
25110	25111	1" x 1"	1.66	3.00
25115	25116	1¼" x 1¼"	1.82	3.64
25120	25121	1½" x 1½"	1.93	3.80
25125	25126	2" x 2"	1.93	3.90



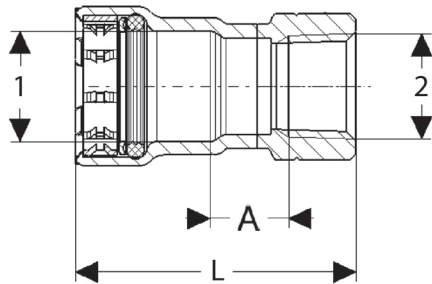
Viega MegaPress Adapter, Carbon Steel, P x FPT - Models 4812 / 6612

Part No.		Size	A (in)	L (in)
MegaPress	MegaPressG	1 2		
25130	25131	½" x ½"	0.69	2.29
25135	25136	¾" x ¾"	0.74	2.49
25140	25141	1" x 1"	0.73	2.74
25145	25146	1¼" x 1¼"	0.69	3.19
25150	25151	1½" x 1½"	0.72	3.27
25155	25156	2" x 2"	0.76	3.42

Viega LLC, 100 N. Broadway, 6th Floor • Wichita, KS 67202 • Ph: 800-976-9819 • Fax: 316-425-7618

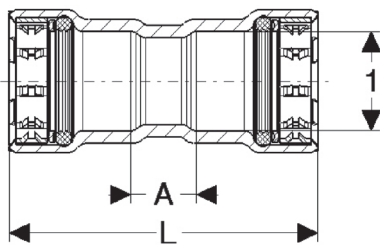
Dimensional Documentation

viega



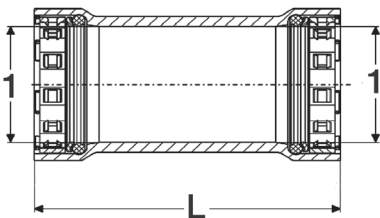
Viega MegaPress Reducing Adapter, Carbon Steel, P x FPT - Models 4812 / 6612

Part No.		Size	A (in)	L (in)
MegaPress	MegaPressG	1 2		
25575	25576	¾" x ½"	0.64	2.33
25580	25581	1" x ½"	1.03	2.91
25585	25586	1" x ¾"	0.78	2.68
25590	25591	1¼" x ½"	1.12	3.47
25595	25596	1¼" x ¾"	1.11	3.48
25600	25601	1¼" x 1"	0.84	3.32
25605	25606	1½" x ½"	1.31	3.72
25610	25611	1½" x ¾"	1.27	3.70
25615	25616	1½" x 1"	1.11	3.64
25620	25621	1½" x 1¼"	0.86	3.41
25625	25626	2" x ½"	1.56	4.06
25630	25631	2" x ¾"	1.54	4.06
25635	25636	2" x 1"	1.35	3.98
25640	25641	2" x 1¼"	1.28	3.93
25645	25646	2" x 1½"	0.78	3.43



Viega MegaPress Coupling with Stop, Carbon Steel, P x P - Models 4815 / 6615

Part No.		Size	A (in)	L (in)
MegaPress	MegaPressG	1		
25000	25001	½"	0.56	2.70
22005	22009	¾"	0.63	2.94
25010	25011	1"	0.57	3.26
25015	25016	1¼"	0.70	4.34
25020	25021	1½"	0.89	4.63
25025	25026	2"	0.77	4.71

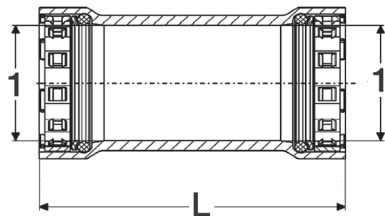


Viega MegaPress Coupling No Stop, Carbon Steel, P x P - Models 4815.5 / 6615.5

Part No.		Size	L (in)
MegaPress	MegaPressG	1	
25030	25031	½"	2.70
25035	25036	¾"	2.94
25040	25041	1"	3.29
25045	25046	1¼"	4.31
25050	25051	1½"	4.63
25055	25056	2"	4.71

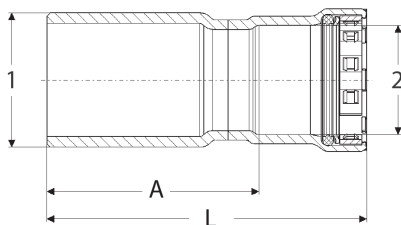
Viega LLC, 100 N. Broadway, 6th Floor • Wichita, KS 67202 • Ph: 800-976-9819 • Fax: 316-425-7618

Dimensional Documentation



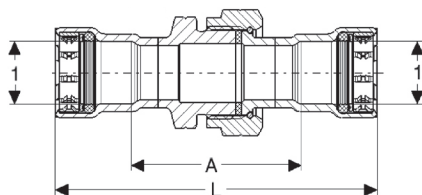
Viega MegaPress Extended No Stop Coupling, Carbon Steel, P x P - Models 4815.3 / 6615.3

Part No.		Size	L (in)
MegaPress	MegaPressG	1	
25070	25071	1/2"	3.823
25075	25076	3/4"	3.996
25080	25081	1"	4.382
25085	25086	1 1/4"	5.335
25090	25091	1 1/2"	5.437
25095	25096	2"	5.634



Viega MegaPress Reducer, Carbon Steel, FTG x P - Models 4815.1 / 6615.1

Part No.		Size	A (in)	L (in)
MegaPress	MegaPressG	1 2		
26000	26001	3/4" x 1/2"	1.85	2.93
26005	26006	1" x 1/2"	2.14	3.21
26010	26011	1" x 3/4"	2.09	3.24
26015	26016	1 1/4" x 1"	2.63	3.98
26020	26021	1 1/2" x 3/4"	2.98	4.13
26025	26031	1 1/2" x 1"	2.81	4.16
26030	26026	1 1/2" x 1 1/4"	2.69	4.50
26035	26036	2" x 1"	3.14	4.49
26040	26041	2" x 1 1/4"	3.02	4.83
26045	26046	2" x 1 1/2"	2.96	4.83



Viega MegaPress Union, Carbon Steel, P x P - Models 4860 / 6660

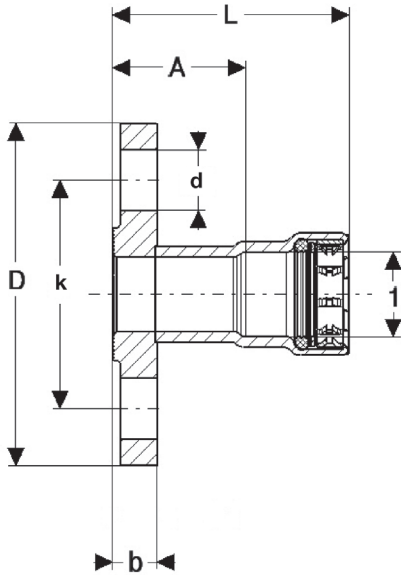
Part No.		Size	A (in)	L (in)
MegaPress	MegaPressG	1		
25700	25701	1/2"	2.33	4.47
25705	25706	3/4"	2.67	4.98
25710	25711	1"	2.60	5.29
25715	25716	1 1/4"	2.85	6.49
25720	25721	1 1/2"	2.90	6.64
25725	25726	2"	3.41	7.35

Dimensional Documentation

viega

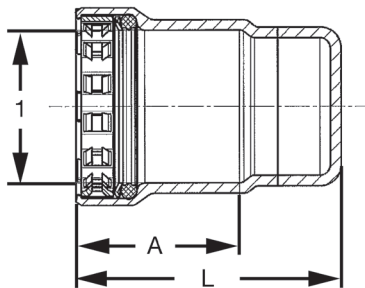


Viega MegaPress Flange, Carbon Steel, P x BP - Models 4859.5 / 6659.5



Part No.		Size	A (in)	L (in)	b (in)	k (in)	D (in)	d (in)
MegaPress	MegaPressG	1						
25760	25761	1/2"	1.37	2.44	0.46	2.36	3.54	0.63
25765	25766	3/4"	1.44	2.60	0.52	2.76	3.94	0.63
25770	25771	1"	1.61	2.96	0.58	3.11	4.33	0.63
25775	25776	1 1/4"	1.76	3.57	0.64	3.50	4.53	0.63
25780	25781	1 1/2"	1.93	3.80	0.70	3.86	4.92	0.63
25785	25786	2"	1.93	3.90	0.77	4.76	5.91	0.75

Viega MegaPress Cap, Carbon Steel, P x Cap - Models 4856 / 6656



Part No.		Size	A (in)	L (in)
MegaPress	MegaPressG	1		
25730	25731	1/2"	1.07	2.14
25735	25736	3/4"	1.16	2.26
25740	25741	1"	1.35	2.43
25745	25746	1 1/4"	1.82	2.95
25750	25751	1 1/2"	1.87	3.07
25755	25756	2"	1.97	3.09

This document subject to updates. For the most current Viega technical literature please visit www.viega.us.
Click Services -> Click Electronic Literature Downloads -> Select Product Line -> Select Desired Document

Viega LLC, 100 N. Broadway, 6th Floor • Wichita, KS 67202 • Ph: 800-976-9819 • Fax: 316-425-7618