

Pressing Tools For Use With:

MegaPress® Fitting System



⚠ WARNING!

Read this Operator's Manual carefully before using this tool. Failure to understand and follow the contents of this manual may result in extensive property damage and/or serious personal injury.

- Français – 15
- Castellano – pág. 31

Table of Contents

Safety Symbols	2
Specific Safety Information	
PressingTool Safety	2
Description and Specifications	
Description	3
Specifications.....	3
Inspecting The Press Tool and Attachments	4
Tool and Work Area Set-Up	
Mounting Attachment Into Press Tool	5
Calibrating the 320-E Pressing Tool.....	5
Calibrating the 320-E with a MegaPress® Jaw Set.....	5
Calibrating the 320-E with the V2 Actuator (For Use with MegaPress® Rings)	6
Preparing The Connection	
Preparing the Pipe	6
Inserting the Pipe Into the Fitting	6
Operating Instructions	
Pressing the Connection with a Jaw Set (1/2" to 1").....	7
Pressing the Connection with a Ring and Actuator (1/4" to 2").....	8
Inspecting The Press Connection	9
Maintenance Instructions	9
Accessories	
MegaPress® System	10
Maintenance Storage	10
Service and Repair	10
Disposal	11
Clearance Requirements	11
Troubleshooting	13
Lifetime Warranty	Back Cover

*Original Instructions - English

Pressing Tools For Use With:

MegaPress® Fitting System



⚠ WARNING!

Read this Operator's Manual carefully before using this tool. Failure to understand and follow the contents of this manual may result in extensive property damage and/or serious personal injury.

RIDGID®

Safety Symbols

In this operator's manual and on the product, safety symbols and signal words are used to communicate important safety information. This section is provided to improve understanding of these signal words and symbols.



This is the safety alert symbol. It is used to alert you to potential personal injury hazards. Obey all safety messages that follow this symbol to avoid possible injury or death.



DANGER indicates a hazardous situation which, if not avoided, will result in death or serious injury.



WARNING indicates a hazardous situation which, if not avoided, could result in death or serious injury.



CAUTION indicates a hazardous situation which, if not avoided, could result in minor or moderate injury.



NOTICE indicates information that relates to the protection of property.



This symbol means read the operator's manual carefully before using the equipment. The operator's manual contains important information on the safe and proper operation of the equipment.



This symbol means always wear safety glasses with side shields or goggles when handling or using this equipment to reduce the risk of eye injury.



This symbol indicates the risk of hands, fingers or other body parts being caught or wrapped in gears or other moving parts.



This symbol indicates the risk of electrical shock.

Specific Safety Information

WARNING

This section contains important safety information that is specific to this tool.

Read these precautions carefully before using the Press Tool Attachments to reduce the risk of serious personal injury.

SAVE THESE INSTRUCTIONS!

Keep this manual with the machine for use by the operator.

Pressing Tool Safety

- **Only use RIDGID® Pressing Tools with RIDGID pressing attachments.** Other uses or modifying the jaws for other applications may damage the pressing tool, damage the jaws and/or cause personal injury.
- **Keep your fingers and hands away from jaws, press rings and ring actuator during pressing cycle.** Your fingers or hands can be crushed, fractured or amputated if they become caught between the jaws, press rings or ring actuator or between these components and any other object.

- **Never attempt to repair a damaged jaw set, actuator or press ring.** A jaw, actuator or press ring that has been welded, ground, drilled or modified in any manner can shatter during pressing resulting in serious injury. Discard the entire damaged jaw set. Replace with a new jaw set. Never replace individual components except for damaged jaw return springs. Please call Ridge Tool Technical Service Department for availability.

- **Read and understand this manual, the tool operator's manual, the fitting manufacturer's installation instructions and the instructions for any other equipment used with this tool before operating.** Failure to follow all instructions may result in property damage and/or serious injury.

NOTICE Selection of appropriate materials and joining methods is the responsibility of the system designer and/or installer. Before any installation is attempted, careful evaluation of the specific service environment, including chemical environment and service temperature, should be completed.

The EC Declaration of conformity (890-011-320.10) will accompany this manual as a separate booklet when required.

If you have any question concerning this RIDGID® product:

- Contact your local RIDGID distributor.
- Visit www.RIDGID.com or www.RIDGID.eu to find your local RIDGID contact point.
- Contact Ridge Tool Technical Service Department at rttechservices@emerson.com, or in the U.S. and Canada call (800) 519-3456.

Description and Specifications

Description

RIDGID Press Tool Attachments for MegaPress® and MegaPressG® Systems, when used with the appropriate RIDGID Press Tool, are designed to mechanically press MegaPress fittings onto pipe to create a permanent water or gas tight seal. MegaPress® is a registered trademark of Viega GmbH & Co. When the switch on the press tool is depressed, a motor powers a hydraulic pump which forces fluid into the press tool cylinder. This moves the tool rollers forward into contact with the attachment and applies thousands of pounds of force to the specially designed fitting.

The entire pressing cycle takes between 4 and 8 seconds starting from when the switch is pressed. Once the pressing tool starts to deform the fitting, the tool will automatically continue the press until complete.

Standard Series MegaPress Jaw Sets (1/2" to 1")

Standard Series MegaPress Jaw Sets are designed to mechanically press MegaPress and MegaPressG fittings onto 1/2", 3/4" and 1" nominal pipe size (NPS) steel pipe. An individual jaw set is required for each pipe size. Standard Series Jaw sets are designed to be used with RIDGID Standard Series Press Tools such as the CT-400, 320-E, RP 330 and RP 340. Standard Series Jaw Sets cannot be used with RIDGID Compact Series press tools such as the 100-B, RP 210-B or RP 200-B. Jaw sets and press tools must be used perpendicular to the fitting/pipe being pressed.

Catalog No.	Size	Weight
37958	1/2"	4.46 lbs. (2.02 kg)
37963	3/4"	4.71 lbs. (2.13 kg)
37968	1"	6.83 lbs. (3.10 kg)



Figure 1 – Standard Series MegaPress Jaw

MegaPress Rings (1/4" to 2")

MegaPress Rings are designed to mechanically press MegaPress and MegaPressG fittings onto 1/4", 1/2" and 2" pipe. An individual ring is required for each pipe size. 1/4" to 2" rings can only be actuated with the V2 actuator and Standard Series Press Tools. 1/4" to 2" MegaPress rings cannot be actuated with Compact Series Press Tools.

The MegaPress rings must be used perpendicular to the fitting and pipe being pressed but the ball pocket/tip feature on the rings and actuators allows the actuator and press tool to swivel up to 90 degrees in each direction. This allows the rings and actuators to be used in some applications where jaw sets and pressing tool might not fit. The MegaPress rings are marked to show the correct actuator for use with that ring.

Catalog No.	Description	Weight
37973	1/4" MegaPress Ring	5.99 lbs (2.72 kg)
37978	1/2" MegaPress Ring	6.46 lbs (2.93 kg)
37983	2" MegaPress Ring	5.77 lbs (2.62 kg)
21878	V2 Actuator	4.7 lbs (2.13 kg)

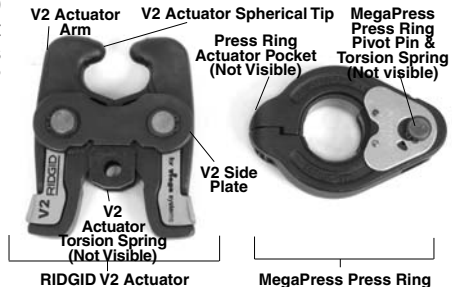


Figure 2 – MegaPress Ring and V2 Actuator

⚠ WARNING Only use RIDGID Press Tools and RIDGID press tool attachments (jaw sets, rings, actuators, etc.) when specified by the fitting manufacturer for use with their system. Use of incorrect press tools and/or attachments for a system can cause system leaks, damage the press tool or attachment, void warranties or cause severe personal injury.

NOTICE Contact the fitting manufacturer for specific information on their system, including compatible pipe, materials, installation instructions, minimum distance between fittings, seal material, inspection, testing, etc. Incorrect installation can cause system leaks and extensive property damage.

Contact Ridge Tool Technical Service Department at (800) 519-3456 or rttechservices@emerson.com for a list of press fitting system and valve manufacturers that specify RIDGID pressing tools and attachments for their systems.

Inspecting The Press Tool and Attachments

⚠ WARNING



Inspect your pressing tool and attachments daily and correct any problems to reduce the risk of serious injury from electric shock, tool and attachment failure and other causes and to prevent tool and property damage.

1. Inspect press tool according to the specific tool operator's manual.
2. Clean any oil, grease or dirt from the tool and attachments, especially the handles and controls. This reduces the risk of the tool or attachment slipping from your grip and makes inspection easier.
3. Closely inspect all pressing attachment components (jaw sets, rings, actuators, etc.) for any cracked, broken, worn, missing, mis-aligned or binding parts or any other sign of damage that may prevent proper and safe operation. Damaged parts can cause the attachment to make incorrect pressed connections or fail during use, and cause serious injury or prop-

erty damage. If any damage is found, the attachment should be discarded and replaced.

⚠ WARNING Always discard the complete pressing attachment. Never replace individual components or exchange parts between assemblies. Failure to replace the entire assembly may result in component failure and serious injury.

Do not modify pressing attachments or use modified attachments. A pressing attachment component that has been welded, ground, drilled or modified in any manner can shatter during pressing, resulting in sharp flying objects, severe injury or death. Discard and replace damaged pressing attachments.

4. Inspect the attachment markings to make sure that it is clearly marked as to the system and size that it is appropriate for. Do not use an attachment that is not clearly marked.
5. Inspect the press profile of the attachment. If it is rusty, dirty or if there is a build up of fitting material, clean as described in the maintenance section. It is important to keep the press profile clean to prevent the formation of burrs during pressing process, prevent the attachment from sticking to the fitting and make sure that a proper press connection is made.
6. Make sure that springs are intact and bias the attachment in the proper direction (closed for rings, jaws and actuators). Attachment should cycle freely from the fully open to fully closed position. If needed, lubricate pivot points with a light lubricating oil. Wipe any excess oil from the attachment.

Tool and Work Area Set-Up

⚠ WARNING



Set up the press tool, attachment and work area according to these procedures to reduce the risk of injury from electric shock and other causes and to prevent property damage.

1. Inspect the work to be done and determine:
 - The system of fittings to be used
 - The sizes of fittings to be used.
 - The type of pipe to be used.
 - The amount of space available for the tool and attachments to make the pressed connections.
2. Determine the appropriate pressing tool and attachments for the application. See the *Description and Specification section*. Information on clearance requirements for various attachments can be found at the back of the manual. Information on RIDGID Pressing Tools and other RIDGID press tool attachments can be found at www.RIDGID.com, or by contacting Ridge Tool Technical Service Department at (800) 519-3456 or rtctechservices@emerson.com.

Only use RIDGID Press Tools and RIDGID press tool attachments (jaw sets, rings, actuators, etc.) when specified by the fitting manufacturer for use with their system. Be sure to use the correct actuator for the ring being used. Rings are marked to indicate the correct actuator for use with the ring. Use of incorrect press tools and/or attachments for a system can cause system leaks, damage the press tool and attachment or cause severe personal injury.

3. Make sure that the press tool and attachment have been inspected according to their respective manuals or instructions.
4. Follow tool set up procedure according to the specific press tool operator's manual.

Mounting Attachment Into Press Tool

1. Make sure that the press tool is unplugged or that the battery is removed from the tool.
2. Pull the attachment mounting pin on the press tool out. If there is already an attachment in the tool, slide it out of the pressing tool (See *Figure 3*).



Figure 3 – Pulling The Attachment Out

3. Slide the attachment into the press tool and fully engage the attachment mounting pin. The press tool will not function unless the pin is fully engaged.

Calibrating the 320-E Pressing Tool

The RIDGID 320-E Pressing Tool includes a unique feature not found in other RIDGID Standard Series press tools to help ensure that complete press connections are made. To use this feature, when a press attachment is installed on the 320-E, a calibration cycle must be done. The 320-E then compares that calibration cycle to each press connection made. If the press connection does not match the calibration cycle, the 320-E alerts the user that a pressing error has occurred so that the operator can take appropriate action. Every time the jaw set or actuator is changed the tool must be recalibrated. See the 320-E manual or contact RIDGID Technical Services Department if you have any questions regarding this feature.

NOTICE Failure to correctly calibrate the 320-E can result in improperly pressed connections and tool or property damage. Four consecutive alarms will cause the 320-E to lock up, and the tool will not function again until it has been serviced.

Calibrating the 320-E with a MegaPress Jaw Set

1. Make sure the 320-E Press Tool has the correct jaw set installed.
2. Insert fully charged battery into the base of the 320-E handle.
3. Depress ON/OFF button on display panel one time to turn tool ON. The audible alarm should beep once and all three light emitting diodes (LED's) will blink once. Then, the green LED should be blinking indicating calibration is required.

Tool will automatically go into “sleep” mode if left unused for ten (10) minutes. To “wake up” tool, it is necessary to once again depress the ON/ OFF button on the top display panel.

4. Complete one tool cycle with an empty jaw set (no fitting in jaw). Green LED should now glow solid indicating tool is properly calibrated. The tool is now ready to begin pressing fittings. The tool will remain calibrated as long as the jaw set is installed, unless tool is left idle for longer than sixty (60) minutes. If this happens, when the tool is turned back ON, the green LED will blink and 320-E will need to be calibrated.

Calibrating the 320-E with the V2 Actuator (For Use with MegaPress Rings)

1. Make sure the correct actuator (V2) is installed in the 320-E.
2. Insert fully charged battery into the base of the 320-E handle.
3. Depress ON/OFF button on the display panel one time to turn tool ON. The audible alarm should beep once and all three light emitting diodes (LED’s) will blink once. Then, the green LED should be blinking indicating calibration is required.

Tool will automatically go into “sleep” mode if left unused for ten (10) minutes. To “wake-up” tool, it is necessary to once again depress the ON/OFF button on the top display panel.

4. Complete one tool cycle with an empty V2 Actuator (no press ring attached). Green LED will continue to blink but the ram position detection feature is now disabled. Due to the design of the press rings, it is not possible to properly detect ring closure on MegaPress or MegaPress G fittings. The tool is now ready to begin pressing MegaPress or MegaPressG fittings. The tool ram position detection will remain disabled as long as the ring actuator is installed unless tool is left idle for longer than sixty (60) minutes. If this happens, when the tool is turned back ON, the green LED will blink and 320-E calibration process must be repeated. Every time the V2 Actuator is replaced, the calibration process should be repeated to disable the ram position detection feature.

Preparing The Connection

NOTICE These are generalized instructions. Always follow the fitting manufacturer’s specific installation instructions. Failure to follow the fitting manufacturer’s installation instructions may lead to an improper press connection and cause leaking connections and property damage.

Preparing the Pipe

1. If necessary, cut the desired length of the proper pipe for use with the fitting system. Use a pipe cutter or other method that provides a clean cut square to the axis of the pipe. If using a vise or other method to hold the pipe during cutting, make sure that the vise is far enough from the end of the pipe not to damage the section of pipe that is inserted into the fitting. Scratches on the outside diameter of the pipe and deformed pipe can cause leaks.
2. MegaPress and MegaPressG fittings require proper pipe end preparation to deburr and clean the pipe’s outside diameter. Consult fitting manufacturer’s instructions for appropriate pipe end preparation.
3. Failure to properly prepare the end of the pipe will result in leaking connections which can cause property damage.

Inserting the Pipe into the Fitting

1. Inspect the fitting per the manufacturer’s instructions to be sure all parts are present, in place and free of dirt and debris. If fitting parts are missing or dirty, this can cause improper connections, leaks and other property damage. See Figure 4.

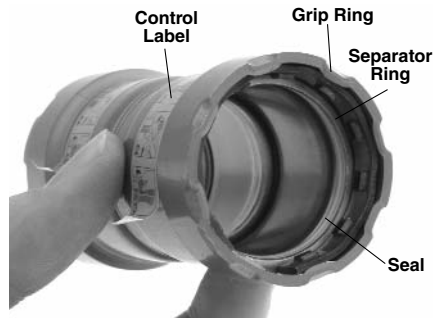


Figure 4 – Inspection of MegaPress Fitting Prior to Pipe Insertion

2. Check the fitting manufacturer's instructions and mark the pipe with a permanent marker at the appropriate distance from the pipe end. This gives a visual reference that the pipe has been fully inserted into the fitting prior to pressing the connection. See Figure 5.



Figure 5A – Marking the Pipe Before Inserting Into Fitting Using Tape Measure



Figure 5B – Marking the Pipe Before Inserting Into Fitting Using RIDGID® MegaPress® Pipe Inspection Gauge

3. Fully insert the pipe into the fitting. Most fittings have a stop that the pipe end contacts to indicate full insertion. Other fittings do not have a stop and will allow the pipe to fully pass through the fitting, and are typically used in repair applications. If there is no stop, insert the pipe so that the mark made in the previous step is even with the end of the fitting. In some cases, a twisting motion during insertion makes the process easier. Never use any lubricant unless the fitting manufacturer specifically advises to. Lubricants can degrade the seal and cause leaks. Pipe that is difficult to insert may be out of round or have burrs on the pipe end, which can damage the seal and cause leaks.
4. Make sure that the pipe is fully inserted in the fitting and if not marked in previous steps, mark the pipe at the end of the fitting to give a visual reference that the pipe is fully inserted. See Figure 6.



Figure 6 – Marking the Pipe After Fully Inserting Pipe

Operating Instructions

⚠ WARNING



Always wear eye protection to protect your eyes against dirt and other foreign objects.

Keep your fingers and hands away from the tool attachment during the pressing cycle. Your fingers or hands can be crushed, fractured or amputated in the attachment or tool or between the attachment, work piece and other objects.

Follow operating instructions to reduce the risk of injury from crushing and other causes and to prevent tool damage.

⚠ WARNING Only use RIDGID Press Tools and RIDGID press tool attachments (jaw sets, rings, actuators, etc.) when specified by the fitting manufacturer for use with their system. Use of incorrect press tools and/or attachments for a system can cause system leaks, damage the press tool or attachment, void warranties or cause severe personal injury.

Confirm that the tool and attachments have been properly set up.

Pressing the Connection with a Jaw Set (1/2" to 1")

1. Squeeze the jaw arms to open the Jaw set and place the open jaws around the fitting. Allow the jaw set to close around the fitting, making sure to align the press profile of the Jaw set with the contour of the fitting (See Figure 7).



Figure 7 – Opening the MegaPress Jaw set and Placing Around Fitting

2. Confirm that the pipe is inserted to the proper depth in the fitting as specified in appropriate Fitting System instructions.
3. Make sure that the jaw set and pressing tool are square to the pipe and fitting (See Figure 8). Depress the press tool switch. Keep fingers and hands away from the jaw set to avoid crushing injuries in jaw set and between the jaw set and the surroundings.



Figure 8 – MegaPress Jaw Set Square To Fitting and Tubing

The pressing cycle takes 4-8 seconds depending on the press tool. Once a press cycle begins and the rollers contact the Jaw set, the press tool will lock on and automatically complete the press cycle. Releasing the tool switch will not stop the tool once the pressing process has begun. This ensures consistent, repeatable press connection integrity. If the tool should malfunction, refer to the specific press tool operator's manual.

4. Press the jaw set jaw arms to open the jaw set and remove from the fitting. Avoid any sharp edges that may have formed on fitting during pressing operation.

Pressing the Connection with a Ring and Actuator (1 1/4" to 2")

1. Open the appropriate Press Ring and place squarely around the fitting. Allow the ring to close around the fitting, making sure to align the press profile with the contour of the fitting. If the ring is not properly aligned with the fitting, an improper press connection will be made and the press ring may be damaged. (See Figure 9.)



Figure 9 – Opening the MegaPress Jaw set and Placing Around Fitting

2. Confirm that the appropriate actuator for the ring to be pressed is in the pressing tool (the ring will be marked with the designation of the appropriate actuator - V2). The correct actuator/ring combination must be used to prevent possible injury, ring and actuator damage, and improper press connections. If using the 320-E Pressing Tool, make sure that the tool and actuator have been calibrated. If not, see the calibration information in the Set Up section.
3. Squeeze the actuator arms to open the actuator tips, place tips in ring pockets and allow the actuator to close down and seat into the pockets. See Figures 10A-B. The V2 actuator and its mating ring are designed to allow the actuator and tool to be rotated up to ninety degrees each way from perpendicular. Make sure that the actuator tips are fully engaged in the ring pockets.



Figure 10A – Placing V2 Actuator Tips Into MegaPress Ring Pockets



Figure 10B – Placing V2 Actuator Into MegaPress Ring Pockets At An Angle For Additional Clearance

Do not hang the actuator and tool from the ring. The tool and actuator could fall from the ring and cause serious injury or death.

4. Make sure that the ring is square to the pipe and fitting and depress the press tool switch. Keep fingers and hands away from the actuator and ring to avoid crushing injuries in the attachments and between the attachments and surroundings.

The pressing cycle takes 4-8 seconds depending on the press tool. Once a press cycle begins and the rollers contact the actuator, the press tool will lock on and automatically complete the press cycle. Releasing the tool switch will not stop the tool once the pressing process has begun. This ensures consistent, repeatable press connection integrity. If the tool should malfunction, refer to the specific press tool operator's manual.

The MegaPress rings are designed to fully close during the pressing process.

5. After the pressing operation is complete, squeeze the actuator arms to open the actuator tips and remove from the ring.
6. Remove the ring from the fitting. Avoid any sharp edges that may have formed on the fitting during the pressing operation.

Inspecting The Press Connection

1. Inspect the pressed fitting. If the fitting is supplied with a control label by the fitting manufacturer, remove it (*Refer to Figure 4*). Control labels are supplied by the manufacturer to indicate that the fitting has not yet been pressed. Removal of the control label indicates to others that the connection has been pressed.

Look for the following:

- Excessive misalignment of the pipes. Note that a slight amount of misalignment at the pressed connection is considered normal.
- Pipes that are not fully inserted into the fitting – double check the insertion marks made on the pipe to see that they are still aligned with the end of the fitting.
- Incorrect jaw or ring alignment with the fitting contour, distorted or deformed fitting.
- Any other issues per the fitting manufacturer.

If any problems are found, remove the fitting and replace with properly prepared and pressed fittings and pipe.

2. Test the system in accordance with the system supplier's instructions, normal practice and local codes. The system supplier may have specific system test procedures to confirm the integrity of the system.

Maintenance

⚠ WARNING

Press attachments should be removed from press tool before performing any maintenance.

Always wear safety glasses. Protect your eyes from dirt and other foreign objects.

A jaw, press ring or ring actuator component that has been welded, ground, drilled or modified in any manner can shatter during pressing, resulting in sharp flying objects, severe injury or death. Discard and replace damaged jaws, press rings or ring actuators.

1. Inspect the inside diameter of jaws and press rings daily (*Figure 11*). If rusty or dirty, clean with fine grade Scotch-Brite®

(Scotch-Brite® is a registered trademark of 3M Company) metal polishing pads (or equivalent), steel wool or a steel bristle wire brush.

NOTICE Do not clean pressing profile with aggressive abrasive materials or methods, such as emery cloth, sandpaper, grinding wheels or rotary files. These methods may alter critical pressing profile dimensions and cause improper pressed connections that can lead to leaks and extensive property damage.

2. Inspect the segment area of the MegaPress jaws/rings daily for debris or damage that could prevent full closure and cause out of tolerance connections. While holding the jaw/ring open, clean the areas next to the segment with a brush. (See Figure 11)



Figure 11 – Cleaning Segment Area of MegaPress Jaw

3. Pivot pins and moving points on jaws, press rings and actuators should be cleaned and lubricated at least once a month with a light weight general purpose lubricating oil.
4. Check return springs in press jaws, rings and ring actuators with each use. Jaws and ring actuators should open and close freely with only moderate finger effort required.

Accessories

▲ WARNING

To reduce the risk of serious injury or incorrect pressed connections, only use accessories specifically designed and recommended for use with MegaPress® Fittings such as those listed.

MegaPress® System:

Standard Series MegaPress Jaw Sets

Catalog No.	Description
37958	1/2" MegaPress Jaw Set
37963	3/4" MegaPress Jaw Set
37968	1" MegaPress Jaw Set

MegaPress Rings

Catalog No.	Description
37973	1 1/4" MegaPress Ring
37978	1 1/2" MegaPress Ring
37983	2" MegaPress Ring
21878	V2 Actuator

MegaPress Kits and Accessories

Catalog No.	Description
48553	MegaPress Kit 1/2" - 2"
48558	MegaPress Kit 1/2" - 1"
48563	Carrying Case for Standard MegaPress Tool Kits.
37993	1/2" to 1" MegaPress Prep Tool
37988	1 1/4" to 2" MegaPress Prep Tool
38008	Abrasive Strips for 1/2" to 1", MegaPress Prep Tool (Pack of 10)
38003	Abrasive Strips for 1 1/4" to 2" MegaPress Prep Tool (Pack of 10)

Press Tools

Catalog No.	Description
43348	RP 340 Battery Press Tool Kit without Jaw Sets
43363	RP 340 Corded Press Tool Kit without Jaw Sets

Machine Storage

▲ WARNING These tools and attachments must be kept indoors or well covered in inclement weather. Store in a locked area out of the reach of children and people unfamiliar with the tools. These tools can cause serious injury in the hands of untrained users.

Service and Repair

▲ WARNING

Improper service or repair can make attachments unsafe to operate.

The "Maintenance Instructions" will take care of most of the service needs of this machine. Any problems not addressed by this section

should only be handled by an authorized RIDGID service technician.

No Service parts are sold for these attachments. If parts are needed, the attachment should be discarded and a new unit purchased.

For information on your nearest RIDGID Independent Service Center or any service or repair questions:

- Contact your local RIDGID distributor.
- Visit www.RIDGID.com or www.RIDGID.eu to find your local RIDGID contact point.
- Contact Ridge Tool Technical Service Department at rttechservices@emerson.com, or in the U.S. and Canada call (800) 519-3456.

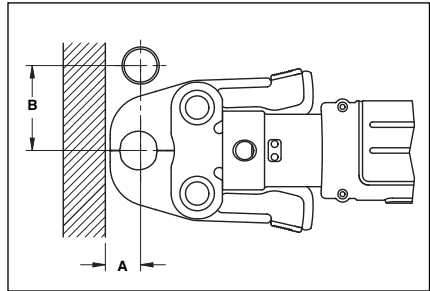
Disposal

Parts of the equipment contain valuable materials and can be recycled. There are companies that specialize in recycling that may be found locally. Dispose of the components in compliance with all applicable regulations. Contact your local waste management authority for more information.

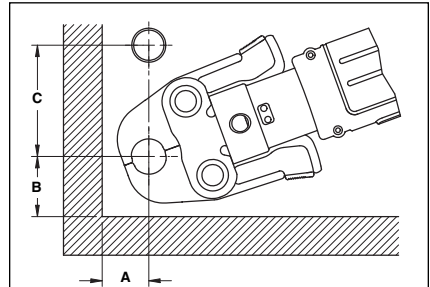
Clearance Requirements

The following figures illustrate the clearance requirements for the jaws and fittings and the procedure for pressing fittings in tight quarters with rings.

Clearance Requirements – Standard Series MegaPress Jaw Sets

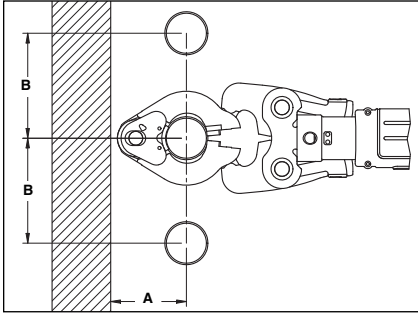


Pipe Dia.	A (min.)		B (min.)	
	Inches	mm	Inches	mm
1/2"	1"	26	2 5/8"	67
3/4"	1 1/4"	32	3 1/8"	79
1"	1 3/4"	45	3 5/8"	92

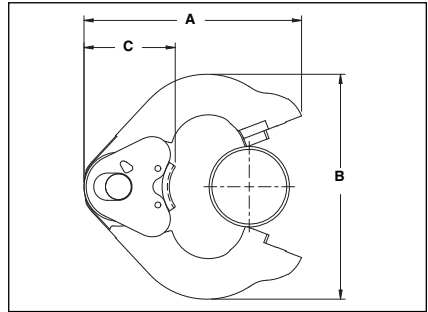


Pipe Dia.	A (min.)		B (min.)		C (min.)	
	Inches	mm	Inches	mm	Inches	mm
1/2"	1 1/2"	32	1 7/8"	48	3	76
3/4"	1 1/2"	38	2 1/8"	54	3 1/2"	89
1"	2"	51	2 1/2"	64	4"	101

Clearance Requirements – MegaPress Press Rings

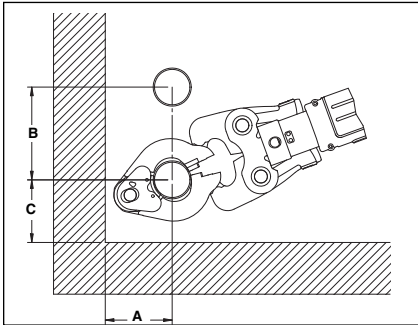


Pipe Dia.	A (min.)		B (min.)	
	Inches	mm	Inches	mm
1 1/4"	3 3/4"	95	4 7/8"	124
1 1/2"	4"	102	5 1/8"	130
2"	4"	102	5 7/8"	137

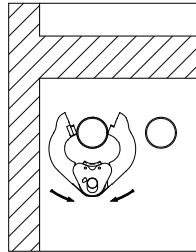


Pipe Dia.	A (min.)		B (min.)		C (min.)	
	Inches	mm	Inches	mm	Inches	mm
1 1/4"	6"	152	6 1/4"	159	2 1/2"	64
1 1/2"	6"	152	6 3/4"	171	2 5/8"	67
2"	6"	152	6 7/8"	175	2 1/2"	64

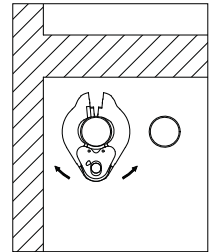
Tight Quarter Pressing Procedure – Pressing Rings



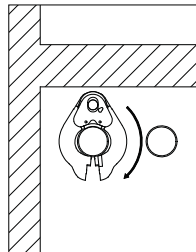
Pipe Dia.	A (min.)		B (min.)		C (min.)	
	Inches	mm	Inches	mm	Inches	mm
1 1/4"	3 3/4"	95	3 3/4"	95	4 7/8"	124
1 1/2"	4"	102	4"	102	5 1/8"	130
2"	4"	102	4"	102	5 7/8"	137



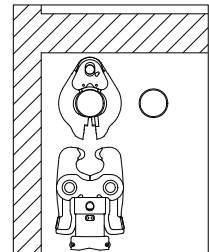
1. Place the press ring around the fitting from the front...



2. ...until the press ring is resting on the fitting.



3. Keep the press ring closed and rotate about the fitting until the opening is toward the front.



4. Insert the press ring actuator and start the press cycle.

Troubleshooting

SYMPTOM	POSSIBLE REASON	SOLUTION
<p>Press connections produced are not complete.</p>	<p>Used wrong jaw set or press ring for the pipe size or material.</p> <p>The jaw set or ring contour was not square to the pipe.</p> <p>The jaw set or press ring has exceeded life expectations and may have failed.</p> <p>Improperly prepared pipe.</p>	<p>Install correct jaw set.</p> <p>Redo the joint using new pipe and fitting and make sure that the jaw set or ring is square to the fitting.</p> <p>If cracked, replace old jaw set or press ring with a new jaw set or press ring and redo the joint using new pipe and fitting.</p> <p>Follow fitting manufacturers pipe preparation instructions.</p>
<p>Excessively large or sharp fins present at press joint parting line where jaw or ring tips come together.</p>	<p>Fitting material build up on jaws or press rings in the contoured profile area near jaw or ring tips.</p> <p>Excessively worn or damaged jaws or press rings.</p>	<p>Clean jaw or press ring in the contoured area using metal polishing pads such as Scotch-Brite®. Refer to <i>Maintenance Section</i> for instructions.</p> <p>Discard jaw or press ring and replace with new RIDGID jaw set or press ring.</p>
<p>Jaws or press rings stick to fitting excessively after completing press joint.</p>	<p>Fitting material build-up on jaws or press ring in the contoured profile area near jaw or ring tips.</p>	<p>Clean jaw or press ring contour area using metal polishing pads such as Scotch-Brite®. Refer to <i>Maintenance Section</i> for instructions.</p>

Outils de sertissage pour système de raccordement MegaPress®



AVERTISSEMENT

Lisez ce manuel soigneusement avant d'utiliser l'appareil. L'incompréhension ou le non respect des consignes ci-devant pourrait entraîner des chocs électriques, des incendies et/ou de graves blessures corporelles.

RIDGID[®]

Table des matières

Symboles de sécurité	17
Consignes de sécurité spécifiques	
Sécurité de la sertisseuse	17
Description et caractéristiques techniques	
Description	18
Caractéristiques techniques	18
Inspection préalable de la sertisseuse et accessoires	19
Préparation de l'appareil et des lieux	
Montage des outils de sertissage	20
Calibrage de la sertisseuse 320-E	21
Calibrage de la sertisseuse 320-E équipée de mâchoires MegaPress®	21
Calibrage de la sertisseuse 320-E équipée d'un actionneur V2 pour bagues MegaPress	21
Préparation des raccords	
Préparation du tuyau	22
Introduction du tuyau dans le raccord	22
Mode opératoire	
Sertissage des raccords à l'aide de mâchoires ($\varnothing 1/2"$ à $\varnothing 1"$)	23
Sertissage des raccords à l'aide d'un actionneur et de bagues ($\varnothing 1/4"$ à $\varnothing 2"$)	24
Contrôle des sertissages	25
Consignes d'entretien	25
Accessoires	
Système MegaPress	26
Protection du matériel	26
Révisions et réparations	26
Disposal	26
Tableaux des refuites minimales	27
Dépannage	29
Garantie à vie	Back Cover

*Traduction de la notice originale

Symboles de sécurité

Des symboles et mots clés spécifiques, utilisés à la fois dans ce mode d'emploi et sur l'appareil lui-même, servent à signaler d'importants risques de sécurité. Ce qui suit permettra de mieux comprendre la signification de ces mots clés et symboles.



Ce symbole sert à vous avertir aux dangers physiques potentiels. Le respect des consignes qui le suivent vous permettra d'éviter les risques de blessures graves ou mortelles.



Le terme *DANGER* signifie une situation dangereuse potentielle qui, faute d'être évitée, provoquerait la mort ou de graves blessures corporelles.



Le terme *AVERTISSEMENT* signifie une situation dangereuse potentielle qui, faute d'être évitée, serait susceptible d'entraîner la mort ou de graves blessures corporelles.



Le terme *ATTENTION* signifie une situation dangereuse potentielle qui, faute d'être évitée, serait susceptible d'entraîner des blessures corporelles légères ou modérées.



Le terme *AVIS IMPORTANT* signifie des informations concernant la protection des biens.



Ce symbole indique la nécessité de lire le manuel soigneusement avant d'utiliser le matériel. Le mode d'emploi renferme d'importantes informations concernant la sécurité d'utilisation du matériel.



Ce symbole indique la nécessité de porter des lunettes de sécurité étanches ou à visières lors de la manipulation ou utilisation de l'appareil afin de limiter les risques de blessure oculaire.



Ce symbole indique un risque d'écrasement des mains, des doigts et autres membres.



Ce symbole indique un risque de choc électrique.

Consignes de sécurité spécifiques

⚠ AVERTISSEMENT

Cette section contient d'importantes informations sur ce type d'appareil particulier.

Afin de limiter les risques de choc électrique et d'accident grave, lisez les précautions d'emploi ci-après soigneusement avant de vous servir des outils de sertissage.

CONSERVEZ CES INSTRUCTIONS !

Gardez ce manuel avec l'appareil afin qu'il puisse servir à tout utilisateur éventuel.

Sécurité de la sertisseuse

- **Ne montez que des outils de sertissage RIDGID sur une sertisseuse RIDGID®.** L'emploi de l'appareil ou la modification de ses mâchoires à d'autres fins pourrait endommager la sertisseuse et/ou ses mâchoires et augmenterait les risques de grave blessure corporelle.
- **Eloignez vos doigts et vos mains des mâchoires, des bagues de sertissage et de l'actionneur durant le cycle de sertissage.** Les doigts et les mains peuvent être écrasés, fracturés ou amputés en cas de prise entre les mâchoires, les bagues de sertissage ou l'actionneur, voire entre ces éléments et tout autre objet.
- **Ne jamais tenter de réparer une mâchoire, une bague ou un actionneur endommagé.** Les mâchoires, bagues et actionneurs qui ont été soudés, meulés, percés ou modifiés d'une manière quelconque risqueraient d'éclater en cours de sertissage et provoquer de graves lésions corporelles. Le cas échéant, remplacez systématiquement les deux mâchoires en même temps. Ne jamais remplacer un seul élément, sauf dans le cas d'un ressort de rappel endommagé. Consultez les services techniques de la Ridge Tool Company pour la disponibilité des pièces de rechange.
- **Familiarisez-vous avec le manuel ci-présent, les consignes du fabricant des raccords et celles de tout autre matériel employé avant d'utiliser cette sertisseuse.** Le non-respect de l'ensemble des consignes applicables augmenterait les risques de dégâts et/ou de grave blessure corporelle.

AVIS IMPORTANT Le choix des matériaux et des techniques de raccordement reste la responsabilité du concepteur et/ou de l'installateur du réseau. Avant toute installation, il convient d'évaluer soigneusement les conditions d'exploitation du réseau, notamment au niveau de son milieu chimique et des températures d'exploitation anticipées.

Au besoin, une copie de la Déclaration de conformité CE (890-011-320.10) accompagnera ce manuel.

En cas de questions concernant ce produit RIDGID® :

- Consultez votre distributeur RIDGID.
- Consultez les sites www.RIDGID.com ou www.RIDGID.eu pour localiser le représentant RIDGID le plus proche.
- Consultez les services techniques Ridge Tool par mail adressé à rtctechservices@emerson.com, ou, à partir des Etats-Unis et du Canada, en composant le (800)519-3456.

Description et caractéristiques techniques

Description

Utilisés avec une sertisseuse RIDGID appropriée, les outils de sertissage des systèmes MegaPress® et MegaPressG® permettent le sertissage mécanique des raccords MegaPress afin d'assurer l'étanchéité permanente des conduites d'eau ou de gaz. MegaPress et MegaPressG sont des marques déposées par la société Viega GmbH & Co. Il s'agit simplement d'appuyer sur la gâchette de la sertisseuse pour lancer le cycle de sertissage mu par son moteur électrique et sa pompe hydraulique qui, elle, envoi du fluide hydraulique dans le cylindre de l'appareil. Ceci a pour effet de faire avancer les galets de la sertisseuse contre l'outil de sertissage qui, lui, déforme le raccord spécialement conçu sous plusieurs milliers de livres de pression.

A partir du moment où l'on appui sur la gâchette, le cycle de sertissage ne dure que de 4 à 8 secondes. Lorsque l'appareil entame un cycle de sertissage, il continuera automatiquement jusqu'à sa fin.

Mâchoires MegaPress série « Standard » (Ø 1/2" à Ø 1")

Les mâchoires MegaPress de la série Standard assurent le sertissage mécanique des

raccords MegaPress et MegaPress G sur les tuyaux acier NPS d'un diamètre nominal de 1/2", 3/4" et 1". Chaque section de tuyau nécessite un jeu de mâchoires adapté. Les mâchoires de la série Standard sont prévues pour les sertisseuses RIDGID série Standard, telles que les CT-400, 320-E et RP 330. Les mâchoires de la série Standard ne sont pas compatibles avec les sertisseuses RIDGID de la série Compact telles que les 100-B ou RP 210B. La sertisseuse et ses mâchoires doivent toujours être tenues perpendiculairement au tuyau et raccord sertis.

Réf. Catalogue	Diamètre	Poids
37958	1/2"	4,46 livres (2,02 kg)
37963	3/4"	4,71 livres (2,13 kg)
37968	1"	6,83 livres (3,10 kg)



Figure 1 – Mâchoires MegaPress série « Standard »

Bagues de sertissage MegaPress (Ø 1 1/4" à Ø 2")

Les bagues de sertissage MegaPress assurent le sertissage mécanique des raccords MegaPress et MegaPressG sur les tuyaux Ø 1 1/4", Ø 1 1/2" et Ø 2". Chaque section de tuyau nécessite une bague de sertissage adaptée. Les bagues de sertissage Ø 1 1/4" à Ø 2" ne peuvent être utilisées qu'avec un actionneur V2 monté sur une sertisseuse série Standard. Les bagues de sertissage MegaPress Ø 1 1/4" à Ø 2" ne peuvent pas être serties à l'aide d'une sertisseuse de la série « Compact ».

Si les bagues de sertissage MegaPress doivent toujours se trouver perpendiculaires au tuyau, leur rotule permet d'utiliser l'actionneur sur un rayon maximum de 90° dans tous les sens. Ceci permet d'utiliser les bagues de sertissage là où les mâchoires de la sertisseuse ne pourraient pas passer. Chaque bague de sertissage MegaPress est estampée de la référence d'actionneur approprié.

Réf. catalogue	Description	Poids
37973	Bague MegaPress Ø 1 1/4"	5,99 livres (2,72 kg)
37978	Bague MegaPress Ø 1 1/2"	6,46 livres (2,93 kg)
37983	Bague MegaPress Ø 2"	5,77 livres (2,62 kg)
21878	Actionneur V2	4,7 livres (2,13 kg)

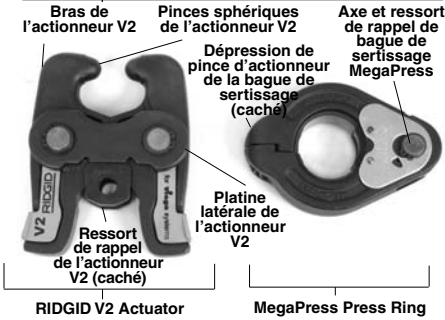


Figure 2 – Bague de sertissage et actionneur V2 MegaPress

⚠ AVERTISSEMENT N'utilisez les sertisseuses et outils de sertissage RIDGID (mâchoires, bagues de sertissage, actionneurs, etc.) que lorsque ceux-ci ont été stipulés par le fabricant du système de raccordement utilisé. L'emploi d'une sertisseuse ou d'outils inadaptés pourrait entraîner des fuites, endommager la sertisseuse et ses outils, annuler les garanties ou provoquer de graves lésions corporelles.

AVIS IMPORTANT Renseignez-vous auprès du fabricant des raccords pour tous détails applicables (compatibilité des tuyaux, matériaux, consignes d'installation, distance minimale entre raccords, composition des joints, méthodes de contrôle d'étanchéité, mises à l'épreuve, etc.). Une installation inadaptée risque de provoquer des fuites et d'importants dégâts matériels.

Consultez les services techniques de Ridge Tool en composant le (800) 519-3456 ou par mail à rttechservices@emerson.com pour la liste des fabricants de raccords et de vannes qui stipulent les sertisseuses et outils de sertissage RIDGID.

Contrôle préalable de la sertisseuse et des outils de sertissage

⚠ AVERTISSEMENT



Examinez la sertisseuse et ses outils de sertissage au quotidien afin de corriger toute anomalie éventuelle et limiter les risques blessure par choc électrique, défaillance du matériel ou autres causes, et d'éviter la détérioration de l'appareil, ainsi que les dégâts matériels.

1. Examinez la sertisseuse selon les consignes de son manuel.
2. Éliminez toutes traces de crasse et de cambouis de l'appareil, notamment au niveau des poignées et commandes, ainsi que des outils de sertissage. Cela limitera les risques de perte de contrôle de l'appareil et facilitera son inspection.
3. Examinez soigneusement l'ensemble des outils de sertissage (mâchoires, bagues de sertissage, actionneurs, etc.) pour signes de bris, fissuration, usure, absence, mauvais alignement, grippage ou autre anomalie qui pourrait compromettre le bon fonctionnement et la sécurité de l'appareil. La moindre défaillance risque de nuire à l'étanchéité des raccords et provoquer de graves lésions corporelles ou d'importants dégâts matériels. Tout élément défectueux doit être recyclé et immédiatement remplacé.

⚠ AVERTISSEMENT Recyclez systématiquement l'outil défectueux au complet. Ne jamais remplacer d'éléments individuels ou tenter de les associer à ceux d'un autre ensemble. Le remplacement intégral de l'outil limitera les risques de défaillance de l'appareil et de graves lésions corporelles.

Ne jamais modifier les outils de sertissage ou utiliser des outils de sertissage déjà modifiés. Tout élément soudé, meulé, percé ou modifié d'une manière quelconque risque d'éclater en cours d'utilisation et de provoquer des lésions corporelles potentiellement mortelles. Recyclez et remplacez systématiquement tout outil de sertissage endommagé.

- Assurez-vous de la lisibilité de l'estampe de l'outil et de sa compatibilité avec le type et la section des raccords utilisés. Ne jamais utiliser un outil de sertissage dont l'estampe est illisible.
- Examinez la surface d'attaque de l'outil de sertissage. En présence de rouille, de crasse ou de dépôts métalliques, nettoyez-la selon les consignes du chapitre Entretien. La surface d'attaque de l'outil de sertissage doit toujours rester propre afin d'éviter la formation de bavures en cours de sertissage, d'éviter que l'outil se colle au raccord, et d'assurer l'étanchéité du raccord.
- Assurez-vous que les ressorts de rappel sont intacts et correctement installés (fermés pour les bagues, les mâchoires et les actionneurs). L'outil doit pouvoir aller librement de sa position ouverte à sa position fermée. Au besoin, lubrifiez ses articulations à l'aide d'une huile minérale légère, puis essuyez toutes traces d'huile résiduelle.

Préparation de l'appareil et du chantier

⚠ AVERTISSEMENT



Afin de limiter les risques de blessure par choc électrique ou autres causes et de limiter les risques de dégâts matériels potentiels, respectez les consignes suivantes visant la préparation des lieux, de la sertisseuse et des outils de sertissage.

- Examinez les travaux à effectuer afin de déterminer :
 - Le type de système de raccordement nécessaire
 - Les sections de raccords nécessaires
 - Le type de tuyau à prévoir
 - La suffisance de refuite disponible autour des tuyaux pour accommoder la sertisseuse et ses outils afin d'effectuer les sertissages.
- Sélectionnez les types de sertisseuse et d'outils de sertissage appropriés en vous reportant au chapitre *Description et caractéristiques techniques*.

éristiques techniques. Les refuites minimales nécessaires aux divers types d'outils de sertissage se trouvent à la fin du manuel. Des renseignements concernant les sertisseuses RIDGID et autres outils de sertissage RIDGID peuvent être obtenus sur le site www.RIDGID.com, en appelant les services techniques RIDGID au (800) 519-3456 ou par mail adressé à rtctechservices@emerson.com.

N'utilisez les sertisseuses et outils de sertissage RIDGID (mâchoires, bagues, actionneurs, etc.) que lorsque ceux-ci sont spécifiés par le fabricant des raccords du système utilisé. Assurez-vous que l'actionneur correspond bien au type de bague utilisé. Le type d'actionneur approprié est indiqué sur chaque bague. L'emploi de sertisseuses et/ou d'outils de sertissage mal adaptés risque de compromettre l'étanchéité du système, endommager la sertisseuse et les outils, voire entraîner de graves lésions corporelles.

- Assurez-vous que la sertisseuse et les outils de sertissage ont bien été examinés selon les consignes correspondantes.
- Préparez le matériel selon les consignes du manuel de la sertisseuse utilisée.

Montage des outils de sertissage

- Assurez-vous que la sertisseuse est débranchée ou que sa pile a été retirée.
- Retirez la broche de montage de la sertisseuse. En présence d'un outil de sertissage existant, retirez l'outil de la sertisseuse (*Figure 3*).



Figure 3 – Retrait d'un outil de sertissage

- Enfilez l'outil de sertissage dans la sertisseuse, puis réintroduisez la broche de montage à fond. La sertisseuse ne fonctionnera que si sa broche de montage est complètement engagée.

Calibrage de la sertisseuse 320-E

La sertisseuse RIDGID 320-E dispose d'un avantage que les autres sertisseuses RIDGID de la série Standard n'ont pas et qui aide à garantir que les raccords sertis sont parfaitement étanches. Pour assurer cette fonction, il s'agit simplement d'équiper la sertisseuse d'un outil de sertissage et de lui faire compléter un cycle de calibrage. Ainsi, la 320-E comparera chaque raccord sertis au cycle de calibrage initial. Si un sertissage n'est pas conforme au cycle de calibrage, la 320-E en alerte l'utilisateur afin qu'il puisse prendre les mesures appropriées. La sertisseuse doit être recalibrée lors de chaque changement de mâchoires ou d'actionneur. Veuillez adresser toutes questions éventuelles concernant cette fonction aux services techniques RIDGID.

AVIS IMPORTANT Une 320-E mal calibrée peut compromettre l'étanchéité des raccords sertis, endommager la sertisseuse et provoquer des dégâts matériels. Quatre alarmes consécutives entraîneront le verrouillage automatique de la 320-E. La sertisseuse devra alors être révisée avant de pouvoir fonctionner à nouveau.

Calibrage d'une 320-E équipée de mâchoires MegaPress

1. Assurez-vous que la sertisseuse 320-E est équipée des mâchoires appropriées.
2. Introduisez une pile fraîche dans le culot de la 320-E.
3. Appuyez sur la touche MARCHE/ARRET du tableau d'affichage pour allumer l'appareil. Un bip sonore devrait alors être émis et les trois LED (diodes électroluminescentes) devraient clignoter une seule fois. La LED verte devrait ensuite se mettre à clignoter pour indiquer le besoin de calibrage.

La sertisseuse se mettra automatiquement en veilleuse après dix (10) minutes d'inactivité. Pour la réactiver, il faudra à nouveau appuyer sur la touche MARCHE/ARRET du tableau d'affichage.

4. Faites un cycle complet avec les mâchoires vides (sans raccord). La LED verte devrait alors rester allumée pour indiquer que l'appareil a été correctement calibré. La sertisseuse est désormais prête à sertir les raccords. Tant que la sertisseuse ne reste pas immobile pendant plus d'une heure, elle restera cali-

brée aussi longtemps qu'elle est équipée des mêmes mâchoires. Au-delà d'une heure d'immobilité, sa LED verte se mettra à clignoter au démarrage, et il sera nécessaire de recalibrer la 320-E.

Calibrage d'une 320-E équipée d'un actionneur V2 pour bagues de sertissage MegaPress

1. Assurez-vous que la 320-E est équipée de l'actionneur V2 approprié.
2. Introduisez une pile fraîche dans le culot de la 320-E.
3. Appuyez sur la touche MARCHE/ARRET du tableau d'affichage pour allumer l'appareil. Un bip sonore devrait alors être émis et les trois LED (diodes électroluminescentes) devraient clignoter une seule fois. La LED verte devrait ensuite se mettre à clignoter pour indiquer le besoin de calibrage.

La sertisseuse se mettra automatiquement en veilleuse après dix (10) minutes d'inactivité. Pour la réactiver, il faudra à nouveau appuyer sur la touche MARCHE/ARRET du tableau d'affichage.

4. Faites un cycle complet avec l'actionneur vide (sans bague de sertissage). La LED verte continuera à clignoter, mais le détecteur de position du vérin de la sertisseuse sera désactivé. La forme des bagues de sertissage ne permet pas de détecter le parfait sertissage des raccords MegaPress et MegaPressG. La sertisseuse est désormais prête à sertir les raccords MegaPress et MegaPressG. Le détecteur de position du vérin de la sertisseuse restera désactivé tant que l'actionneur de bague reste en place, sauf si la sertisseuse reste immobile pendant plus d'une heure. Le cas échéant, la LED verte se mettra à clignoter, et le processus de recalibrage de la 320-E devra être relancé. Le recalibrage de l'appareil doit être effectué à chaque remplacement d'actionneur V2 afin de désarmer le détecteur de position du piston.

Préparation des raccords sertis

AVIS IMPORTANT Il s'agit ici de consignes génériques. Respectez systématiquement les consignes spécifiques du fabricant des rac-

cords pour les travaux envisagés. Toute dérivation aux instructions du fabricant des raccords pourrait compromettre l'étanchéité du réseau et provoquer d'importants dégâts matériels.

Préparation des tuyaux

1. Coupez le tuyau approprié à la longueur voulue à l'aide d'un coupe-tubes ou autre moyen assurant une coupe franche et d'équerre. Lors de sa coupe, assurez-vous que tout dispositif de maintien du tuyau (étau ou autre) se trouve assez loin de l'extrémité du tuyau pour ne pas endommager sa surface d'insertion. La moindre égratignure ou déformation de la surface externe du tuyau risque de compromettre l'étanchéité du raccord.
2. Le bon fonctionnement des raccords MegaPress et MegaPressG dépend de l'ébarbage et nettoyage externe appropriés des embouts de tuyau. Consultez le fabricant des raccords pour le type de tuyau et la méthode de préparation applicables.
3. Une mauvaise préparation de l'extrémité du tuyau compromettrait l'étanchéité du raccord au point de provoquer des dégâts matériels.

Insertion du tuyau dans le raccord

1. En vous reportant aux indications du fabricant et à la *Figure 4* assurez-vous de l'intégralité du raccord, de son assemblage approprié et de sa propreté. L'absence ou l'encrassement d'un ou plusieurs éléments constitutifs du raccord risquerait de compromettre son étanchéité et provoquer des dégâts matériels

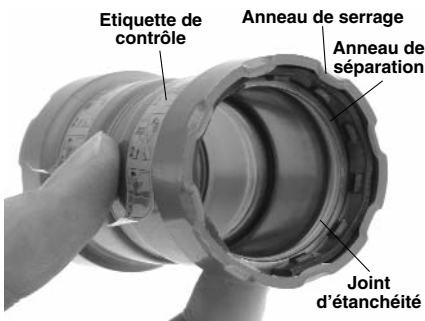


Figure 4 – Inspection du raccord MegaPress avant l'insertion du tuyau

2. En vous reportant aux indications du fab-

ricant et à la *Figure 5*, tracez un repère sur le tuyau pour marquer la profondeur d'insertion nécessaire à partir de son extrémité. Cela laissera une indication visuelle de l'insertion complète du tuyau avant son sertissage.

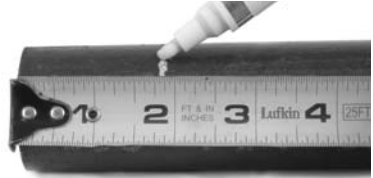


Figure 5A – Repérage de la profondeur d'insertion du tuyau à l'aide d'un mètre à ruban



Figure 5B – Repérage de la profondeur d'insertion du tuyau à l'aide d'une jauge de contrôle RIDGID® MegaPress®

3. Introduisez le tuyau dans le raccord jusqu'à buter. La majorité des raccords sont pourvus d'une butée qui permet d'assurer l'insertion complète du tuyau. Ceux qui ne le sont pas sont généralement destinés aux travaux de réparation et permettent au tuyau de les traverser de part en part. En l'absence de butée, introduisez le tuyau jusqu'au repère laissé sur lui lors de l'étape précédente. Dans certains cas, un léger mouvement rotatif facilitera l'insertion du tuyau. Sauf indication contraire du fabricant des raccords, ne jamais utiliser de lubrifiants. Certains lubrifiants peuvent détériorer le joint d'étanchéité et provoquer des fuites. Une insertion particulièrement difficile peut signaler un faux rond ou mauvais ébarbage du tuyau qui pourrait endommager le joint d'étanchéité du raccord et provoquer des fuites.
4. Assurez-vous de l'insertion complète du tuyau, et s'il n'a pas été marqué lors de l'étape précédente, marquez l'extrémité du raccord afin de laisser une référence visuelle de son enfoncement (*Figure 6*).



Figure 6 – Repérage du tuyau après son insertion



Figure 7 – Ouverture et positionnement des mâchoires MegaPress sur le raccord

Mode opératoire

⚠ AVERTISSEMENT



Portez systématiquement des lunettes de sécurité afin de protéger vos yeux contre d'éventuelles projections d'éclats.

Eloignez vos doigts et vos mains des outils de sertissage durant le cycle de sertissage. L'appareil est susceptible d'écraser, de fracturer ou d'amputer tout membre qui se trouve entre lui et tout autre objet.

Respectez les consignes d'utilisation afin de limiter les risques de blessure corporelle et de détérioration de l'appareil.

⚠ AVERTISSEMENT N'utilisez les sertisseuses et outils de sertissage RIDGID (mâchoires, bagues de sertissage, actionneurs, etc.) que lorsque ceux-ci ont été stipulés par le fabricant du système de raccordement utilisé. L'emploi d'une sertisseuse ou d'outils inadaptés pourrait entraîner des fuites, endommager la sertisseuse et ses outils, annuler les garanties ou provoquer de graves lésions corporelles.

Vérifiez le bon assemblage de la sertisseuse et des outils de sertissage.

Sertissage des raccords Ø 1/2" à Ø 1" à l'aide de mâchoires

1. Comprimez les bras de l'outil afin d'ouvrir ses mâchoires et les enfilez autour du raccord. Laissez les mâchoires se refermer sur le raccord en vous assurant que le profil des mâchoires s'aligne bien sur celui du raccord (Figure 7).

2. Vérifiez la profondeur d'insertion du tuyau dans le raccord selon les consignes du système de raccordement utilisé.
3. Assurez-vous que la sertisseuse et les mâchoires sont bien perpendiculaires au tuyau et au raccord (Figure 8). Appuyez sur la gâchette de la sertisseuse, tout en éloignant vos doigts et vos mains des mâchoires afin d'éviter leur écrasement entre les mâchoires et entre l'outil et les objets environnants.



Figure 8 – Mâchoires MegaPress tenues à l'équerre du raccord et du tuyau

Le cycle de sertissage peut durer entre 4 et 8 secondes selon le type d'outil de sertissage utilisé. Une fois que le cycle de sertissage est entamé et que les galets de la sertisseuse s'engagent contre les mâchoires, la sertisseuse se verrouille automatiquement jusqu'à la fin du cycle de sertissage. Le fait de lâcher la gâchette n'arrêtera pas la sertisseuse une fois le cycle entamé. Cela sert à assurer la constance et l'intégrité des sertissages à répétition. En cas de défaillance de la sertisseuse, veuillez consulter le manuel de l'appareil.

4. Comprimez à nouveau les bras de l'outil pour libérer les mâchoires et les retirer du raccord. Évitez les bavures tranchantes

qui auraient pu se former sur le raccord durant son sertissage.

Sertissage des raccords Ø 1 1/4" à Ø 2" à l'aide de bagues de sertissage et d'un actionneur

1. Ouvrez la bague de sertissage appropriée et engagez-la bien d'équerre sur le raccord. Laissez la bague se refermer autour du raccord, tout en vérifiant que son profil s'aligne bien sur celui du raccord. Un mauvais alignement de la bague produirait un mauvais sertissage et pourrait endommager la bague elle-même (Figure 9).



Figure 9 – Positionnement de la bague de sertissage MegaPress sur le raccord

2. Assurez-vous que la sertisseuse est équipée de l'actionneur V2 approprié, tel qu'il est indiqué sur la bague elle-même. L'actionneur et la bague doivent être assortis afin d'éviter d'éventuelles blessures corporelles, d'éviter d'endommager la bague et l'actionneur, et d'assurer l'étanchéité des raccords. Lors de l'utilisation d'une sertisseuse type 320-E, assurez-vous que cette dernière et l'actionneur ont été correctement calibrés au préalable. Sinon, reportez-vous au chapitre *Préparation* pour les modalités de calibrage applicables.
3. Comprimez les bras de l'actionneur afin d'ouvrir ses pinces et les engager dans les dépressions correspondantes de la bague de sertissage. Relâchez les bras de l'actionneur pour que les pinces se referment sur les dépressions de la bague (Figures 10A et 10B). L'actionneur V2 et sa bague sont conçus de telle manière que l'actionneur et la sertisseuse peuvent être déportés de 90° dans les deux sens par rapport à la perpendiculaire. Assurez-vous que les pinces de

l'actionneur sont complètement engagées dans les dépressions de la bague.



Figure 10A – Engagement des pinces de l'actionneur V2 dans les dépressions de la bague de sertissage



Figure 10B – Engagement à 90° de l'actionneur V2 dans la bague MegaPress en cas de manque de refuite

Ne jamais laisser pendre l'actionneur et la sertisseuse depuis une bague de sertissage. La sertisseuse et l'actionneur risqueraient de tomber et provoquer de graves blessures, voire des blessures mortelles.

4. Assurez-vous que la bague de sertissage est parfaitement positionnée sur le raccord, puis appuyez sur la gâchette de la sertisseuse. Eloignez vos doigts et vos mains de l'actionneur et de la bague afin d'éviter leur écrasement éventuel entre les mâchoires de l'outil et/ou celui-ci et des objets environnants.

Le cycle de sertissage peut durer entre 4 et 8 secondes selon le type d'outil de sertissage utilisé. Une fois que le cycle de sertissage est entamé et que les galets de la sertisseuse s'engagent contre l'actionneur, la sertisseuse se verrouille automatiquement jusqu'à la fin du cycle de sertissage. Le fait de lâcher la gâchette n'arrêtera pas la sertisseuse une fois le cycle entamé. Cela sert à assurer l'homogénéité et l'intégrité des sertissages à répétition. En cas de défaillance de la sertisseuse, veuillez consulter le manuel de l'appareil.

Les bagues de sertissage MegaPress se referment complètement durant le processus de sertissage.

- Une fois le cycle de sertissage terminé, compressez les bras de l'actionneur pour libérer et retirer la bague.
- Retirez la bague de sertissage du raccord en évitant d'éventuelles bavures tranchantes qui auraient pu se former en cours d'opération.

Contrôle des sertissages

- Examinez le sertissage. Si le raccord est pourvu d'une étiquette de contrôle, retirez-la (Figure 4). La présence d'une étiquette de contrôle indique que le raccord n'a pas encore été serti. Le retrait de l'étiquette de contrôle d'un raccord permet d'indiquer à autrui que le raccord en question est déjà serti.

Contrôlez les points suivants :

- Désalignement excessif des tuyaux au droit du raccord. A noter qu'une légère déviation au droit du raccord est considérée normale.
- Déboîtement partiel des tuyaux. Vérifiez les repères d'insertion des tuyaux pour vous assurer qu'ils affleurent toujours l'extrémité du raccord.
- Raccord déformé suite à un mauvais alignement de l'outil de sertissage.
- Toute autre anomalie potentielle signalée par le fabricant des raccords.

En cas d'anomalie, il sera nécessaire de retirer le raccord et de prévoir une nouvelle préparation des tuyaux et un nouveau raccord.

- Eprouvez le système selon les consignes du fournisseur du système de raccordement, des règles de l'art et de la réglementation en vigueur. Le cas échéant, il conviendra d'appliquer les consignes particulières du fournisseur en matière des épreuves d'étanchéité du réseau.

Consignes d'entretien

⚠ AVERTISSEMENT

Les outils de sertissage doivent être systématiquement retirés avant toute intervention.

Portez systématiquement des lunettes

de sécurité afin de protéger vos yeux contre la projection éventuelle de débris.

Tout élément de mâchoire, de bague de sertissage ou d'actionneur qui aurait été préalablement soudé, meulé, percé ou modifié d'une manière quelconque risque d'éclater violemment durant le processus de sertissage et provoquer de graves et potentiellement mortelles lésions corporelles. Remplacez systématiquement tout élément endommagé, qu'il s'agisse des mâchoires, bagues de sertissage ou actionneurs.

- Examinez les surfaces d'attaque des mâchoires et des bagues de sertissage au quotidien (Figure 11). En présence de rouille ou de crasse, nettoyez-les à l'aide soit d'un tampon de polissage Scotch-Brite® (Scotch-Brite® est une marque déposée de la société 3M) ou similaire, d'une paille de fer ou d'une brosse métallique.

AVIS IMPORTANT Ne jamais utiliser de produits ou de moyens agressifs (toile d'émeri, papier verre, meule ou limes rotatives, etc.) pour le nettoyage des outils de sertissage. De telles méthodes pourraient déformer l'outil et compromettre l'étanchéité des sertissages au point de provoquer d'importants dégâts matériels.

- Examinez au quotidien les axes des mâchoires et bagues MegaPress pour signes d'encrassement ou d'usure qui seraient susceptibles d'empêcher la fermeture complète de l'outil et compromettre l'étanchéité des sertissages. Ouvrez les mâchoires de l'outil de sertissage concerné, puis nettoyez ses axes à l'aide d'une brosse (Figure 11).



Figure 11 – Nettoyage des axes d'une mâchoire MegaPress

- Les axes et articulations des mâchoires, bagues de sertissage et actionneurs doivent être nettoyés et lubrifiés au moins une fois par mois à l'aide d'une huile minérale légère.
- Examinez les ressorts de rappel des mâchoires, bagues de sertissage et actionneurs lors de chaque utilisation. Les mâchoires et actionneurs doivent s'ouvrir et se refermer librement sous une pression modérée.

Accessoires

⚠ AVERTISSEMENT

Afin de limiter les risques de grave blessure corporelle et de fuite des raccords, utilisez exclusivement les accessoires spécifiquement prévus pour les raccords MegaPress® tels que ceux indiqués ci-après.

Système MegaPress :

Mâchoires MegaPress de la série Standard

Réf. catalogue	Désignation
37958	Mâchoires MegaPress Ø 1/2"
37963	Mâchoires MegaPress Ø 3/4"
37968	Mâchoires MegaPress Ø 1"

Bagues de sertissage MegaPress

Réf. catalogue	Désignation
37973	Bague de sertissage MegaPress Ø 1 1/4"
37978	Bague de sertissage MegaPress Ø 1 1/2"
37983	Bague de sertissage MegaPress Ø 2"
21878	Actionneur V2

Kits et accessoires MegaPress

Réf. catalogue	Désignation
48553	Kit MegaPress Ø 1/2" à Ø 2"
48558	Kit MegaPress Ø 1/2" à Ø 1"
48563	Mallette de transport pour jeux d'outils Megapress standard
37993	Outil de préparation MegaPress Ø 1/2" à Ø 1"
37988	Outil de préparation MegaPress Ø 1 1/4" à Ø 2"
38008	Paquet de 10 bandes abrasives pour outil de préparation MegaPress Ø 1/2" à Ø 1"
38003	Paquet de 10 bandes abrasives pour outil de préparation MegaPress Ø 1 1/4" à Ø 2"

Sertisseuses

Catalog No.	Description
43348	Jeu d'outils pour sertisseuse à piles RP 340 (sans mâchoires)
43363	Jeu d'outils pour sertisseuse électrique RP 340 (sans mâchoires)

Protection du matériel

⚠ AVERTISSEMENT Cet appareil et ses accessoires doivent être stockés à l'intérieur ou suffisamment bien protégés contre les intempéries. Gardez-les dans un local verrouillé, hors de la portée des enfants et de tout individu non familier avec leur fonctionnement. Ce type de matériel peut s'avérer dangereux s'il tombe entre les mains d'un individu non initié.

Révisions et réparations

⚠ AVERTISSEMENT

Toute révision ou réparation non conforme des outils de sertissage pourrait rendre leur utilisation dangereuse.

Le chapitre "Entretien" devrait couvrir la majorité des besoins d'entretien courant de l'appareil. Toute anomalie qui n'est pas couverte dans ce chapitre devrait être confiée à un réparateur RIDGID agréé.

Aucunes pièces de rechange ne sont prévues pour les outils de sertissage. En cas de défaillance, l'outil tout entier devra être remplacé.

Pour obtenir les coordonnées du réparateur RIDGID le plus proche et poser d'éventuelles questions concernant la révision ou la réparation ce l'appareil, veuillez :

- Consultez votre distributeur RIDGID.
- Visitez le site www.RIDGID.com ou www.RIDGID.eu pour localiser l'interlocuteur le plus proche.
- Consultez les services techniques Ridge Tool par mail adressé à rtctechservices@emerson.com ou, à partir des USA ou du Canada exclusivement, en composant le (800) 519-3456.

Recyclage

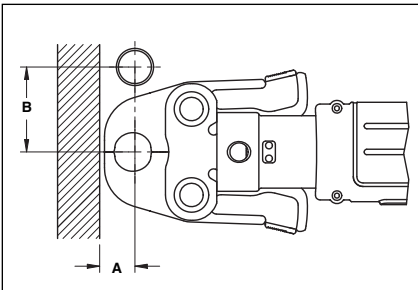
Certaines parties de ce matériel contiennent des matériaux de valeur recyclables. Il existe des entreprises spécialisées dans le recyclage dont certaines peuvent se trouver localement. Recyclez ces composants selon la lég-

isolation en vigueur. Consultez l'administration compétente pour de plus amples renseignements à ce sujet.

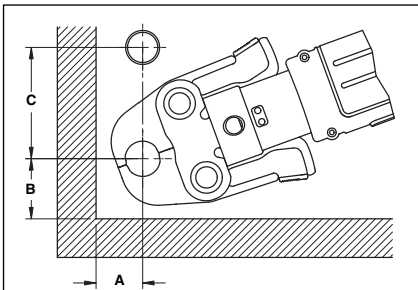
Tableaux des refuites minimales

Les schémas suivants illustrent les refuites minimales nécessaires à l'utilisation des mâchoires et raccords, ainsi que les méthodes de sertissage dans les endroits restreints à l'aide de bagues de sertissage.

Refuites minimales pour mâchoires MegaPress série Standard

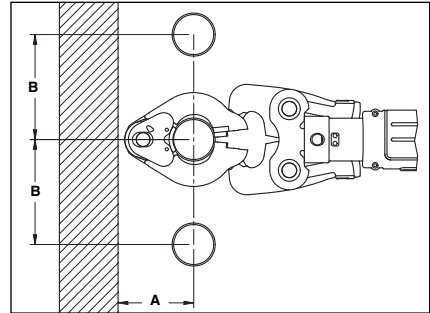


Ø tuyau	A mini		B mini	
	Pouces	mm	Pouces	mm
1/2"	1"	26	2 3/8"	67
3/4"	1 1/4"	32	3 1/8"	79
1"	1 3/4"	45	3 5/8"	92

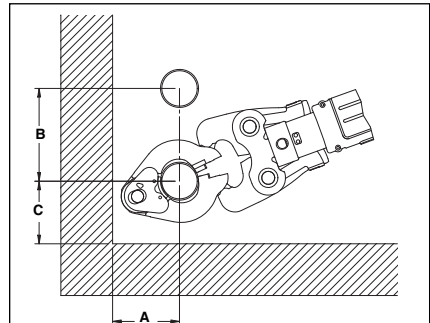


Ø tuyau	A mini		B mini		C mini	
	Pouces	mm	Pouces	mm	Pouces	mm
1/2"	1 1/4"	32	1 7/8"	48	3	76
3/4"	1 3/8"	38	2 1/8"	54	3 1/2"	89
1"	2"	51	2 1/2"	64	4"	101

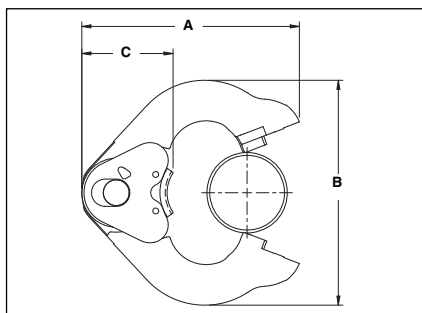
Refuites minimales pour bagues de sertissage MegaPress



Ø tuyau	A mini		B mini	
	Pouces	mm	Pouces	mm
1 1/4"	3 3/4"	95	4 7/8"	124
1 1/2"	4"	102	5 1/8"	130
2"	4"	102	5 1/8"	137

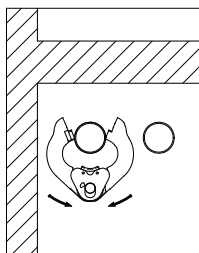


Ø tuyau	A mini		B mini		C mini	
	Pouces	mm	Pouces	mm	Pouces	mm
1 1/4"	3 3/4"	95	3 3/4"	95	4 7/8"	124
1 1/2"	4"	102	4"	102	5 1/8"	130
2"	4"	102	4"	102	5 1/8"	137

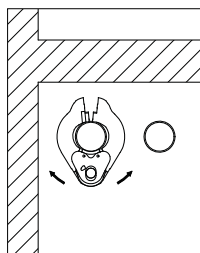


Ø tuyau	A mini		B mini		C mini	
	Pouces	mm	Pouces	mm	Pouces	mm
1 1/4"	6"	152	6 1/4"	159	2 1/2"	64
1 1/2"	6"	152	6 3/4"	171	2 5/8"	67
2"	6"	152	6 7/8"	175	2 1/2"	64

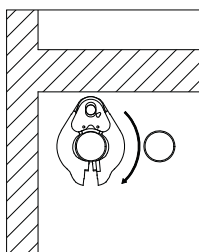
Sertissage dans les endroits restreints à l'aide de bagues de sertissage



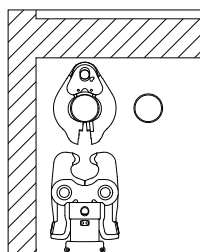
1. Engagez la bague de sertissage de face...



2. ... jusqu'à ce qu'elle se referme sur le raccord.



3. Tout en la gardant fermée sur le raccord, tournez la bague de sertissage d'un demi-tour.



4. Engagez l'actionneur sur la bague et lancez le cycle de sertissage.

Dépannage

ANOMALIE	CAUSE(S) PROBABLE(S)	REMEDE
<p>Sertissage incomplet des raccords.</p>	<p>Mâchoires ou bagues de sertissage inadaptées à la section ou à la composition du tuyau.</p> <p>Mauvais équerrage des mâchoires ou bagues de sertissage par rapport au tuyau.</p> <p>Défaillance de mâchoires ou bagues de sertissage en fin de vie utile.</p> <p>Mauvaise préparation du tuyau.</p>	<p>Monter les mâchoires ou bagues de sertissage appropriées.</p> <p>Refaire le raccordement (nouveau raccord et préparation du tuyau) en s'assurant du bon équerrage des mâchoires ou bagues de sertissage.</p> <p>Remplacer tout outil de sertissage fissuré et refaire le raccordement (nouveau raccord et préparation du tuyau).</p> <p>Respecter les consignes du fabricant des raccords visant la préparation des tuyaux.</p>
<p>Bourrelet ou bavures excessives sur le raccord, là où les embouts de mâchoire ou de bague se rejoignent.</p>	<p>Accumulation de résidus au niveau des embouts de mâchoire ou de bague.</p> <p>Mâchoires ou bagues hors d'usage.</p>	<p>Nettoyer les surfaces d'attaque des mâchoires ou bagues de sertissage à l'aide de tampons de polissage Scotch-Brite® ou similaire selon les consignes du chapitre <i>Entretien</i>.</p> <p>Remplacer les mâchoires ou bagues de sertissage par de nouvelles mâchoires ou bagues RIDGID.</p>
<p>Collage excessif des mâchoires ou bagues de sertissage en fin de cycle de sertissage.</p>	<p>Accumulation de résidus au niveau des embouts de mâchoire ou de bague.</p>	<p>Nettoyer les surfaces d'attaque des mâchoires ou bagues de sertissage à l'aide de tampons de polissage Scotch-Brite® ou similaire selon les consignes du chapitre <i>Entretien</i>.</p>

Accesorios de sellado para el Sistema de Acoplamiento MegaPress®



⚠ ADVERTENCIA

Antes de utilizar estos accesorios, lea detenidamente los manuales correspondientes. Si no se comprenden y respetan las instrucciones de estos manuales, podrían ocurrir descargas eléctricas, incendios y/o lesiones personales graves.

RIDGID®

Índice

Símbología de seguridad	31
Normas de seguridad específica	
Seguridad de la Selladora	2
Descripción y especificaciones	
Descripción	3
Especificaciones	3
Revisión de la Selladora y accesorios	4
Preparación del aparato y la zona de trabajo	
Montaje del accesorio en la Selladora	5
Calibración de la Selladora 320-E	5
Calibración de la Selladora 320-E cuando lleva mordazas MegaPress®	5
Calibración de la Selladora 320-E cuando lleva un accionador V2 para aros MegaPress	6
Preparación de la conexión	
Preparación del tubo	6
Introducción del tubo dentro del acoplador	6
Instrucciones de funcionamiento	
Sellado de acopladores de 1/2 a 1 pulg. Ø empleando mordazas	7
Sellado de acopladores 1 1/4 a 2 pulgs. Ø empleando un aro y un accionador	8
Inspección de la selladura	9
Mantenimiento	9
Accesorios	
Sistema MegaPress	10
Almacenamiento	10
Servicio y reparaciones	10
Disposal	11
Espacios libres requeridos	11
Detección de averías	13
Garantía vitalicia	carátula posterior

*Traducción del manual original

Simbología de seguridad

En este manual del operario y en el aparato mismo encontrará símbolos y palabras de advertencia que comunican información de seguridad importante. En esta sección se describe el significado de estos símbolos.



Este es el símbolo de una alerta de seguridad. Sirve para prevenir al operario de las lesiones corporales que podría sufrir. Obedezca todas las instrucciones que acompañan a este símbolo de alerta para evitar posibles lesiones o muertes.



Este símbolo de PELIGRO advierte de una situación de riesgo o peligro que, si no se evita, podría ocasionar muertes o graves lesiones.



Este símbolo de ADVERTENCIA advierte de una situación de riesgo o peligro que, si no se evita, podría ocasionar la muerte o lesiones graves.



Este símbolo de CUIDADO advierte de una situación de riesgo o peligro que, si no se evita, podría ocasionar lesiones leves o moderadas.



Un AVISO entrega información relacionada con la protección de un bien o propiedad.



Este símbolo significa que, antes de usar este aparato, es indispensable leer detenidamente su manual del operario. El manual del aparato contiene importante información acerca del funcionamiento apropiado y seguro del equipo.



Este símbolo señala que, durante la manipulación y funcionamiento de este dispositivo, el operario siempre debe proteger sus ojos con gafas o anteojos de seguridad provistos de viseras laterales para evitar herirse los ojos.



Este símbolo señala que el aparato en uso puede aplastar manos, dedos u otras partes del cuerpo.



Este símbolo advierte del peligro de descargas eléctricas.

Información de seguridad específica

⚠ ADVERTENCIA

Esta sección entrega importante información de seguridad específica acerca de este aparato y sus accesorios.

Antes de usar los accesorios de sellado, lea estas precauciones detenidamente con el fin de prevenir lesiones de gravedad.

¡GUARDE ESTAS INSTRUCCIONES!

Mantenga este manual junto al aparato, al alcance de la mano de cualquiera que lo use.

Seguridad de la Selladora

- Sólo use Selladoras RIDGID® con los accesorios de sellado RIDGID. Si se someten estos accesorios a otros usos o se modifican estas mordazas para efectuar con ellas trabajos que no les corresponde, es posible que se dañe la Selladora, las mordazas y/o que ocurran lesiones.
- Mantenga sus dedos y manos apartados de las mordazas, aro sellador y accionador durante un ciclo de sellado.

Sus dedos o manos pueden ser aplastados, fracturados o amputados si se enganchan entre las mordazas, aro sellador o accionador o entre éstos y cualquier otro objeto.

- **Nunca intente reparar un accionador o un aro se-llador averiado.** Una mordaza, accionador o aro se-llador que de cualquier forma haya sido soldado, afilado, perforado o modificado puede hacerse trizas durante una selladura y causar lesiones graves. Deseche las mordazas dañadas. Reemplácelas. Nunca reemplace individualmente algún componente de las mordazas, salvo el resorte de retorno. Consulte al Departamento Técnico de RIDGID para obtener repuestos.
 - **Antes de ponerlos en funcionamiento, lea y asimile este manual, el de la Selladora, las instrucciones de instalación provistas por el fabricante de los acopladores y las de cualquier otro equipo que se emplee en conjunto con este aparato.** Se corre el riesgo de causar daños materiales y lesiones graves si no se respetan estas instrucciones.
- AVISO** La selección apropiada de los materiales y del método de unión o sellado es re-

sponsabilidad del diseñador y/o instalador de la red. Antes de comenzar una instalación se requiere efectuar una exhaustiva evaluación de las condiciones ambientales imperantes, incluyendo las químicas y las temperaturas de funcionamiento.

El folleto con la Declaración de Conformidad CE (890-011-320.10) acompañará a este manual cuando sea necesario.

Si tiene alguna pregunta acerca de este producto RIDGID®:

- Contacte al distribuidor de RIDGID en su localidad.
- En internet visite el sitio www.RIDGID.com ó www.RIDGID.eu para averiguar dónde se encuentran los centros RIDGID más cercanos.
- Llame al Departamento de Servicio Técnico Ridge Tool desde EE.UU. o Canadá al (800) 519-3456 o escriba a rttechservices@emerson.com.

Descripción y especificaciones

Descripción

Los accesorios de sellado RIDGID para sistemas MegaPress® y MegaPressG®, cuando se utilizan montados a la Selladora RIDGID apropiada, sirven para engarzar mecánicamente un acoplador o tubo de unión sobre un tubo, creando entre ellos un sello hermético –a prueba de agua y gas- definitivo. MegaPress® es una marca registrada de Viega GmbH & Co. Al oprimirse el interruptor de la Selladora, un motor propulsa una bomba hidráulica, la que inyecta líquido hacia el interior del cilindro de la Selladora. Esta acción hace avanzar los rodillos del aparato hacia delante poniéndolos en contacto con el accesorio en uso y aplica una fuerza selladora de miles de libras sobre el acoplador especialmente diseñado.

A partir del momento que se oprime el interruptor de la Selladora, el ciclo de la selladura tarda entre 4 y 8 segundos en completarse. Una vez que la Selladora inicia la deformación del acoplador, el ciclo de sellado prosigue automáticamente hasta finalizar.

Mordazas MegaPress serie Standard (1/2 a 1 pulg. Ø)

Las mordazas MegaPress de la serie Standard han sido diseñadas para sellar mecánicamente acopladores MegaPress y

MegaPressG sobre tubos de acero NPS de un diámetro nominal de 1/2, 3/4 y 1 pulgada. Se requieren mordazas específicas para cada diámetro de tubería. Las mordazas serie Standard han sido fabricadas para funcionar con las Selladoras RIDGID de serie Standard tales como las modelo CT400, 320-E, RP 330 ó RP 340. Las mordazas serie Standard no son compatibles con las Selladoras RIDGID de serie Compact como la 100-B, RP 210-B ó RP 200-B. Tanto las mordazas como la Selladora deben colocarse en forma perpendicular sobre el acoplador o tubo que se va a sellar.

No. en el catálogo	Diámetro	Peso
37958	1/2"	4,46 lbs. (2,02 kgs.)
37963	3/4"	4,71 lbs. (2,13 kgs.)
37968	1"	6,83 lbs. (3,10 kgs.)



Figura 1 – Mordazas MegaPress serie Standard

Aros selladores MegaPress (1/4 a 2 pulgs. Ø)

Los aros selladores MegaPress han sido diseñados para sellar en forma mecánica acopladores MegaPress sobre tubería de 1/4, 1/2 y 2 pulgadas Ø. Se requiere un aro sellador específico para cada diámetro de tubería. Los aros de 1/4 a 2 pulgadas sólo pueden accionarse con el accionador V2 y una Selladora de la serie Standard. Es imposible accionar los aros MegaPress de 1/4 y 2 pulgadas con una Selladora serie Compact.

Los aros MegaPress deben montarse perpendicularmente al acoplador y al tubo que se va a sellar. Sin embargo, las cavidades en el aro -donde se enclavan las puntas del accionador- permiten al accionador y a la Selladora girar hasta en 90 grados en ambos sentidos. Esta característica permite que aros y accionadores se usen en aplicaciones en las cuales mordazas y Selladora no caben o no entran. Cada aro MegaPress viene estampada con el nombre del accionador que le corresponde.

No. en el catálogo	Ø en pulgs.	Peso
37973	Aro sellador MegaPress, 1 1/4 pulg. Ø	5,99 lbs (2,72 kgs)
37978	Aro sellador MegaPress, 1 1/2 pulg. Ø	6,46 lbs (2,93 kgs)
37983	Aro sellador MegaPress, 2 pulg. Ø	5,77 lbs (2,62 kg)
21878	Accionador V2	4,7 lbs (2,13 kgs)

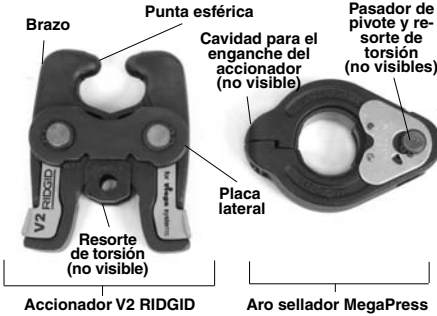


Figura 2 – Aro sellador y Accionador V2 MegaPress

⚠ ADVERTENCIA Emplee una Selladora RIDGID y los accesorios de sellado RIDGID (mordazas, aros, accionadores, etc.) únicamente cuando así lo estipule el fabricante de los acopladores que se van a utilizar. El empleo de Selladoras y/o accesorios que no corresponden al sistema de sellado en uso puede causar fugas en la red, daños a la Selladora o al accesorio, anular las garantías pertinentes y causar graves lesiones corporales.

AVISO Consulte al fabricante de los acopladores que se sellarán para obtener información específica de todo lo concerniente al sistema que integran: tubería compatible, materiales, instrucciones de instalación, distancia mínima requerida entre acopladores, materiales para selladuras, inspección, pruebas, etc. Las instalaciones hechas de forma incorrecta pueden causar fugas y daños materiales de consideración.

Llame al Departamento de Servicio Técnico de Ridge Tool al (800) 519-3456 o visite rttechservices@emerson.com para obtener un listado de los fabricantes de sistemas y válvulas de sellado que recomiendan el uso de Selladoras y accesorios RIDGID para la instalación de sus sistemas.

Revisión de la Selladora y accesorios

⚠ ADVERTENCIA



Revise la Selladora y sus accesorios diariamente y enmude cualquier problema que detecte con el fin de evitar lesiones graves por descargas eléctricas, fallas de la Selladora y/o accesorios, y daños materiales.

1. Inspeccione la Selladora según las instrucciones de su propio manual.
2. Quite el aceite, grasa o mugre de la Selladora y accesorios, y especialmente de los mangos y controles. Esto facilita la inspección e impide que el aparato o el accesorio resbalen de sus manos.
3. Inspeccione detenidamente los componentes de los accesorios (mordazas, aros, accionadores...) por si tienen partes o piezas agrietadas, quebradas, desgastadas, faltantes, desalineadas o agarradas y para detectar cualquier otra condición que podría afectar el funcionamiento correcto y seguro de éstos. Una pieza averiada de un accesorio podría ocasionar una selladura defectuosa y causar graves lesiones y cuantiosos daños en una propiedad. Si detecta algún desperfecto en un accesorio, deséchelo y reemplácelo.

⚠ ADVERTENCIA Siempre deseche la totalidad del accesorio. Jamás recambie sólo una parte o un componente individual del conjunto, ni intercambie partes entre accesorios. Si no se recambia el accesorio completo, puede fallar y causar lesiones graves.

No modifique un accesorio de sellado ni utilice accesorios que han sido alterados. Un accesorio de sellado que ha sido soldado, afilado, perforado o modificado de cualquier forma puede hacerse trizas durante una selladura y disparar objetos cortantes por los aires, causando lesiones, heridas graves y hasta la muerte. Deseche y reemplace un accesorio de sellado dañado.

4. Inspeccione las marcas de identificación en los accesorios para cerciorarse de que el accesorio que va a emplear corre-

sponde al sistema y al diámetro de la instalación. No utilice un accesorio que no tiene su identificación legible.

5. Inspeccione el perfil o superficie en el accesorio, aquel que efectúa la selladura. Si está oxidado, sucio o cubierto de restos de selladuras, límpielo como se describe en la sección Mantenimiento en este manual. Es importante mantener limpio el perfil que efectúa la selladura para evitar la formación de rebabas durante el proceso, que el accesorio se quede pegado al acoplador, y asegurar una selladura hermética.
6. Asegure que los resortes funcionan y que tienden a cerrar el accesorio (aros, mordazas y accionadores) como se debe. El accesorio debe, sin atascarse, abrirse y cerrarse por completo. Si es necesario, lubrique los puntos que pivotan con un aceite lubricante liviano. Seque el exceso de aceite.

Preparación del aparato y de la zona de trabajo

⚠ ADVERTENCIA



Prepare la Selladora, accesorio y la zona de trabajo de acuerdo a estos procedimientos con el fin de evitar lesiones por descargas eléctricas u otras causas, y daños materiales.

1. Examine el trabajo que debe realizar y determine:
 - cuál sistema de acopladores empleará,
 - qué diámetro de acopladores instalará,
 - el tipo de tubería que utilizará,
 - de cuánto espacio dispone para acomodar la Selladora y accesorios de sellado para efectuar las conexiones.
2. Seleccione el tipo de Selladora y accesorios que requiere para efectuar las conexiones consultando la sección *Descripción y Especificaciones*. Los espacios libres mínimos requeridos por los diversos accesorios de sellado se encuentran al final de este manual. En el sitio www.RIDGID.com

hallará toda la información acerca de las Selladoras RIDGID y los accesorios de sellado RIDGID, o escriba a rtctechservices@emerson.com o llame al (800) 519-3456 y consulte con un técnico del Departamento de Servicio Técnico de Ridge Tool.

Emplee una Selladora RIDGID y los accesorios de sellado RIDGID (mordazas, aros, accionadores, etc.) únicamente cuando así lo estipule el fabricante de los acopladores que se van a utilizar. El empleo de Selladoras y/o accesorios que no corresponden al sistema de sellado en uso puede causar fugas en la red, daños a la Selladora o al accesorio, anular las garantías pertinentes y causar graves lesiones corporales. El empleo de una Selladora incorrecta y/o accesorios que no pertenecen al sistema siendo instalado, puede causar fugas, dañar la Selladora y/o el accesorio, o lesionar a alguien.

3. Asegure que la Selladora y el accesorio de sellado han sido revisados de acuerdo a sus respectivos manuales e instrucciones.
4. Prepare la Selladora según los procedimientos que figuran en su propio manual del operario.

Montaje del accesorio en la Selladora

1. Cerciórese de que la Selladora está enchufada o que no tiene puesta su batería recargable.
2. Jale el pasador para el montaje (del accesorio) en la Selladora. Si la Selladora ya tiene un accesorio acoplado, extráigalo (*Figura 3*).



Figura 3 – Extracción del accesorio

3. Meta el accesorio en la nariz de la Selladora y vuelva a embutir el pasador hasta adentro. La Selladora no funcionará si el

pasador no se encuentra totalmente encajado.

Calibración de la Selladora 320-E

La Selladora 320-E ofrece una ventaja que las otras Selladoras de la serie Standard de RIDGID no tienen. Ésta se encarga de asegurar que todas las selladuras queden herméticas. Cada vez que a la 320-E se le instala un accesorio en su punta, esta función la obliga a efectuar un ciclo de calibración. Luego, la 320-E comparará cada selladura que efectúa con el ciclo de calibración inicial. Si una selladura no coincide con el ciclo de calibración inicial, la Selladora emite un pitido de alerta indicándole al usuario que ha ocurrido un error y que debe tomar las medidas del caso. La Selladora necesita recalibrarse cada vez que se le cambian las mordazas o el accionador. Sírvese consultar el manual de la Selladora 320-E o llame al Departamento de Servicio Técnico de RIDGID si tiene preguntas acerca de esta característica.

AVISO Si la Selladora 320-E no se calibra correctamente, las selladuras podrían resultar defectuosas, dañarse la Selladora u ocurrir daños materiales. Después de cuatro alarmas sónicas consecutivas, la Selladora 320-E quedará bloqueada y no volverá a funcionar hasta que se la haya sometido a revisión.

Calibración de la 320-E cuando lleva mordazas MegaPress

1. Asegure que las mordazas instaladas en la Selladora 320-E son las apropiadas.
2. Introduzca una batería totalmente recargada en la base del mango de la 320-E.
3. Oprima una vez el botón ON/OFF (encendida/apagada) en el visualizador, para encender la Selladora. La alarma debe emitir un pitido y los tres diodos emisores de luz (DEL) pestañearán una vez. En seguida, el DEL verde debería estar pestañeando para indicar que se requiere efectuar una calibración.

La Selladora se pondrá por sí sola en la modalidad de "dormida" si no se la usa por diez (10) minutos. Para "despertarla" es necesario oprimir nuevamente el botón de ON/OFF en el visualizador superior.

4. Efectúe un ciclo completo con las mordazas vacías (sin un acoplador entre las

tenazas). El DEL verde debería permanecer iluminado indicando que la Selladora está correctamente calibrada. El aparato ahora está listo para efectuar selladuras. El aparato permanecerá calibrado siempre que las mordazas estén instaladas, a no ser que la Selladora se deje sin funcionar por más de sesenta (60) minutos. En este caso, cuando el aparato se vuelva a encender, el DEL verde pestañeará y la 320-E necesitará recalibrarse.

Calibración de la 320-E cuando lleva un accionador V2 para aros MegaPress

1. Asegure que la Selladora 320-E tenga instalado el accionador correcto (V2).
2. Introduzca una batería totalmente recargada en el mango de la Selladora 320-E.
3. Oprima una vez el botón ON/OFF (encendida/apagada), en el visualizador, para encender la Selladora. Debe sonar un pitido de alarma y los tres diodos emisores de luz (DEL) pestañearán una vez. En seguida, el DEL verde debería estar pestañeando para indicar que es necesaria una calibración.

La Selladora se pondrá por sí sola en la modalidad de "dormida" si no se la usa por diez (10) minutos. Para "despertarla" oprima nuevamente el botón de ON/OFF en el visualizador superior.

4. Efectúe un ciclo completo con el accionador V2 "vacío" (sin aro sellador acoplado). El DEL verde continuará pestañeando, sin embargo el detector de la posición del ariete se encuentra ahora desactivado. Debido al diseño del aro sellador, no es posible detectar el cierre del aro en acopladores MegaPress y MegaPress-G. El detector de la posición del ariete continuará inactivo mientras el accionador del aro esté instalado, a no ser que la Selladora se deje sin funcionar por más de sesenta (60) minutos. En este caso, cuando el aparato se vuelva a encender, el DEL verde pestañeará y la 320-E deberá recalibrarse. Cada vez que se cambie el accionador V2, el proceso de calibración deberá repetirse con el fin de desactivar el detector de la posición del ariete.

Preparación de la conexión

AVISO Estas son instrucciones genéricas. Por ende, siempre siga las instrucciones de instalación específicas del fabricante del acoplador. De lo contrario la junta, unión o conexión puede quedar defectuosa, tener fugas, y/o causar cuantiosos daños materiales.

Preparación del tubo

1. Corte el tubo apropiado para el sistema en uso del largo que desee empleando un cortatubos u otra herramienta. Córtele limpiamente en ángulo recto con respecto a su eje. Si para cortarlo sujetará el tubo en un tornillo de banco o prensa, procure que la prensa no agarre al tubo cerca del extremo que irá dentro del acoplador, para que no se dañe. Los rayones o arañazos en la superficie exterior del extremo del tubo o un tubo deformado podrían ocasionar fugas.
2. Los acoplamientos MegaPress y MegaPressG exigen una apropiada preparación del extremo del tubo; es necesario quitar rebabas y limpiar el exterior del tubo. Consulte las instrucciones del fabricante del acoplamiento para averiguar cómo debe preparar el extremo del tubo.
3. Elimine las rebabas del diámetro interior del tubo - podrían obstruir el flujo- con una lima, escariador o herramienta similar.

Introducción del tubo dentro del acoplador

1. Revise el acoplador conforme a las instrucciones del fabricante para asegurar que cuenta con todas sus partes, que éstas están en su lugar y que el acoplador está limpio y libre de desechos. Si al acoplador le falta alguna pieza o está sucio, puede ocasionar una conexión defectuosa, fugas y otros daños materiales (Figura 4).



Figure 4 – Inspección del acoplador MegaPress antes de introducirle un tubo

2. Consulte las instrucciones del fabricante del acoplador y marque la superficie del tubo (Figura 5) con un rotulador de tinta indeleble (permanent marker) a la distancia requerida (medida desde el extremo del tubo). Esta marca servirá de punto de referencia para confirmar, antes de proceder a sellar la conexión, que el tubo ha sido insertado hasta la profundidad debida dentro del acoplador.



Figure 5A – Valiéndose de una cinta métrica, marque la profundidad hasta donde debe insertarse el tubo dentro del acoplador



Figure 5B – Valiéndose de un calibrador MegaPress® de RIDGID®, marque hasta dónde debe insertarse el tubo dentro del acoplador

3. Introduzca el tubo en el acoplador hasta que tope. La mayoría de los acopladores tiene un resalte en su interior donde el extremo del tubo topa y no puede seguir de largo. Pero algunos acopladores no cuentan con este resalte y es posible atravesarlos por completo. Esta clase de

acopladores se usa comúnmente en trabajos de reparación. Si el acoplador no tiene un resalte o tope, introduzca el tubo hasta la marca que usted le ha hecho para que ésta quede al ras con el extremo del acoplador. En algunos casos, se facilita la introducción del tubo empleando un movimiento giratorio. Nunca emplee un lubricante salvo que el fabricante del acoplador lo recomiende. Los lubricantes podrían degradar el sello y causar fugas. Un tubo que entra con dificultad en el acoplador podría no estar perfectamente redondo o tener rebabas en su extremo, las que pueden dañar el sello y ocasionar fugas.

4. Asegure que el tubo se ha introducido hasta dentro en el acoplador y si no lo marcó anteriormente, márkelo ahora donde asoma del acoplador, como se muestra en la *Figura 6*, para dejar una referencia visual de su inserción.



Figure 6 – Si no marcó el tubo anteriormente, márkelo ahora donde asoma del acoplador

Instrucciones de funcionamiento

⚠ ADVERTENCIA



Póngase siempre anteojos protectores para que a sus ojos no les entre mugre ni partículas foráneas.

Mantenga sus dedos y manos apartados del accesorio de la Selladora durante el ciclo de sellado. Sus dedos o manos pueden ser aplastados, fracturados o amputados si quedan atrapados en el accesorio o en la Selladora, o entre éstos, la pieza de trabajo o cualquier otro objeto.

Respete las instrucciones de funcionamiento para evitar lesiones a sus manos y daños a las herramientas de sellado.

⚠ ADVERTENCIA Emplee una Selladora RIDGID y los accesorios de sellado RIDGID (mordazas, aros, accionadores, etc.) únicamente cuando así lo estipule el fabricante de los acopladores que se van a utilizar. El empleo de Selladoras y/o accesorios que no corresponden al sistema de sellado en uso puede causar fugas en la red, daños a la Selladora o al accesorio, anular las garantías pertinentes y causar graves lesiones corporales. El empleo de una Selladora incorrecta y/o accesorios que no pertenecen al sistema siendo instalado, puede causar fugas, daños a la Selladora o al accesorio, anular las garantías pertinentes y causar graves lesiones personales.

Confirme que la Selladora y los accesorios hayan sido preparados debidamente.

Sellado de acopladores de 1/2 a 1 pulg. Ø empleando mordazas

1. Apriete los brazos de las mordazas para abrirlas y coloque las mordazas abiertas alrededor del acoplador. Permita que las mordazas se cierren sobre el acoplador procurando que las curvas cóncavas de las mordazas queden alineadas en ángulo recto con el contorno convexo del acoplador (*Figura 7*).



Figure 7 – Apertura de las mordazas MegaPress para colocarlas sobre el acoplador

2. Asegure que el tubo está metido en el acoplador hasta la profundidad debida, según se indica en el manual del acoplador que se está instalando.
3. Asegure que las mordazas y la Selladora estén en ángulo recto en relación con el tubo (*Figura 8*). Oprima el interruptor de la Selladora. Mantenga sus dedos y

manos apartados de las mordazas y piezas de trabajo para evitar lesiones.



Figure 8 – Mordazas MegaPress colocadas en ángulo recto en relación con el acoplador y el tubo

El ciclo de sellado tarda entre 4 y 8 segundos, dependiendo de la Selladora que se utiliza. Una vez que comienza el ciclo de una selladura y los rodillos hacen contacto con las mordazas, el aparato se enclava y automáticamente completa el ciclo de sellado. Una vez que el ciclo de sellado ha comenzado, aunque usted suelte el gatillo, el aparato no se detendrá. Así se asegura la integridad de todas las selladuras que se efectúan. Si el aparato llegase a fallar, consulte el manual de la Selladora en uso.

4. Apriete los brazos de las mordazas para abrirlas y desmóntelas del acoplador. Procure no tocar cualquier borde cortante que pudiera haberse formado sobre el acoplador durante la operación de sellado.

Sellado de acopladores 1¼ a 2 pulgs. Ø empleando un aro y un accionador

1. Abra el aro de sellado apropiado que utilizará y móntelo rectamente sobre el acoplador. Permita que el aro se cierre sobre el acoplador procurando que las curvas cóncavas del aro queden bien alineadas con el contorno convexo del acoplador. Si no quedan alineados correctamente, la selladura no quedará bien hecha y podría dañarse el aro (*Figure 9*).

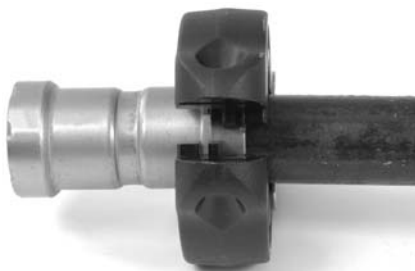


Figure 9 – Montaje del aro de sellado MegaPress sobre el acoplador

2. Confirme que el accionador correspondiente al aro que se sellará es el que está puesto en la Selladora (el aro lleva marcado el accionador que le corresponde: V2). Cada aro debe sellarse con el accionador debido para evitar lesiones, daños a los dispositivos y selladuras mal hechas. Si está empleando la Selladora 320-E, asegure que la Selladora y el accionador han sido calibrados. Si no es así, la calibración se explica en la sección *Preparación del aparato y la zona de trabajo*.
3. Apriete los brazos del accionador para abrir sus puntas, introduzca las puntas en las cavidades del aro y permita que el accionador se cierre y enclave en las cavidades (*Figuras 10A y B*). El accionador V2 y el aro con que se aparea permiten que el accionador y a la Selladora giren hasta en 90 grados en ambos sentidos en relación con la perpendicular. Asegure que las puntas del accionador estén bien enclavadas en las cavidades del aro.



Figure 10A – Las puntas del accionador V2 metidas en las cavidades del aro MegaPress



Figure 10B – Las puntas del accionador V2 metidas en las cavidades del aro formando un ángulo con el aro para mayor maniobrabilidad

Los aros MegaPress se cierran por completo durante una selladura.

4. Asegure que el aro está en ángulo recto con relación al tubo y al acoplador. Oprima el interruptor de la Selladora. Mantenga sus dedos y manos apartados del accionador, del aro y demás piezas de trabajo para evitar lesiones.

El ciclo de sellado tarda entre 4 y 8 segundos en completarse, dependiendo de la Selladora que se utilice. Una vez que comienza el ciclo de una selladura y los rodillos hacen contacto con las mordazas, el aparato se enclava y automáticamente completa el ciclo de sellado. Una vez que el ciclo de sellado se encuentra en marcha, aunque usted suelte el gatillo, el aparato no se detendrá. Así se asegura la integridad de todas las selladuras que se efectúan. Si el aparato llegase a fallar, consulte el manual de la Selladora en uso.

Les bagues de sertissage MegaPress se referment complètement durant le processus de sertissage.

5. Finalizada la operación de sellado, apriete los brazos del accionador para abrir sus puntas y desmóntelo del aro.
6. Retire el aro de encima del acoplador. Evite tocar cualquier borde cortante que pudiera haberse formado sobre el acoplador durante la selladura.

Inspección de la selladura

1. Revise el acoplador que recién selló. Si el acoplador viene de fábrica con una etiqueta de control, quítesela (Figura 4). La etiqueta de control la suministra el fabricante del acoplador para advertir que el

acoplador aún no ha sido sellado. Cuando usted le quita la etiqueta de control al acoplador, estará advirtiéndole a otros que este acoplador ya ha sido sellado.

Verifique que no haya:

- desalineación excesiva de los tubos. Recuerde que una pequeña desalineación en la zona de la conexión se considera normal
- D tubos que no se introdujeron hasta la profundidad debida dentro del acoplador. Verifique nuevamente que la marca hecha con tinta indeleble alrededor del tubo todavía se encuentra al ras con el extremo del acoplador.
- mordazas y aro que no se alinearon correctamente con el contorno del acoplador, acoplador deformado.
- cualquier otro problema mencionado por el fabricante.

Si usted detecta cualquiera de estos problemas, será necesario desmontar el acoplador, preparar un nuevo trozo de tubo y sellarlo a un nuevo acoplador.

2. Someta la red de tuberías a prueba de acuerdo a las instrucciones del proveedor del sistema, a las prácticas habituales y a los códigos locales en vigencia. Es posible que el proveedor del sistema haya establecido procedimientos específicos para confirmar la integridad de las selladuras de su sistema.

Instrucciones de mantenimiento

⚠ ADVERTENCIA

Los accesorios de sellado deben extraerse de la Selladora antes de efectuarle cualquier mantenimiento.

Póngase siempre anteojos de protección. Protegen sus ojos del polvo, mugre y cuerpos extraños.

Cualquier componente de las mordazas, aro sellador o accionador que haya sido soldado, afilado, perforado o modificado de alguna forma puede hacerse trizas durante una selladura y lanzar objetos por los aires. Esto puede causar lesiones graves y hasta la muerte. Deseche y reemplace mordazas, aros selladores o accionadores del aro que estén dañados.

1. Inspeccione a diario el diámetro interior de las mordazas y de los aros selladores (Figura 11). Si oxidados o sucios, límpielos con una almohadilla limpiametales fina de Scotch-Brite® (Scotch-Brite® es marca re-gistrada de 3M Company) u otra equivalente, con lana de acero o una escobilla metálica.

No limpie la superficie de sellado de las mordazas con materiales abrasivos, tales como tela de esme-ril, papel de lija, rueda de amolar o lima rotatoria. Éstos pueden alterar el contorno de las mordazas y sus dimensiones, los cuales son fundamentales para lograr sellos o juntas herméticas. Una selladura defectuosa puede causar fugas y daños materiales de gran envergadura.

2. Inspeccione a diario las mordazas y aros MegaPress por si se ha dañado y elimine los desechos o mugre que podrían impedir el cierre completo de las mordazas y causar conexiones defectuosas. Abra las mordazas o aros para con una escobilla limpiar sus superficies interiores (Figura 11).



Figure 11 – Limpieza con escobilla de las superficies interiores de una mordaza MegaPress

3. Los pasadores de pivote y los puntos giratorios en las mordazas, aros selladores y accionadores deben limpiarse y lubricarse por lo menos una vez al mes con aceite liviano multiuso.
4. Revise los resortes de retorno en las mordazas, aros y accionadores del aro después de cada uso. Las mordazas y accionadores deben abrirse y cerrarse libremente con la presión normal de los dedos.

Accesorios

⚠ ADVERTENCIA

Con el fin de evitar lesiones graves o selladuras defectuosas, sólo utilice los accesorios específicamente designados y recomendados para usarse con accionadores MegaPress® tales como los que se listan a continuación:

Sistema de Sellado MegaPress

Mordazas MegaPress serie Standard

N° en e catálogo	Descripción
37958	Mordazas MegaPress de 1/2 pulg. Ø
37963	Mordazas MegaPress de 3/4 pulg. Ø
37968	Mordazas MegaPress de 1 pulg. Ø

Aros selladores MegaPress

N° en el catálogo	Descripción
37973	Aro MegaPress de 1 1/4 pulg. Ø
37978	Aro MegaPress de 1 1/2 pulg. Ø
37983	Aro MegaPress de 2 pulg. Ø
21878	Accionador V2

Accesorios y kits MegaPress

N° en el catálogo	Descripción
48553	Kit MegaPress, 1/2 a 2 pulg. Ø
48558	Kit MegaPress 1/2 a 1 pulg. Ø
48563	Maletín para kits MegaPress estándares
37993	Preparadora MegaPress de tubos, 1/2 a 1 pulg. Ø
37988	Preparadora MegaPress de tubos, 1 1/4 a 2 pulg. Ø
38008	Paquete de 10 cintas abrasivas para Preparadora MegaPress de tubos, 1/2 a 1 pulg. Ø
38003	Paquete de 10 cintas abrasivas para Preparadora MegaPress de tubos, 1 1/4 a 2 pulg. Ø

Selladoras

N° en el No.	Description
43348	Kit RP 340 para selladoras a baterías, sin mordazas
43363	Kit RP 340 para selladoras con cordón, sin mordazas

Almacenamiento

⚠ ADVERTENCIA Estas Selladoras y accesorios deben guardarse adentro, bajo techo, o bien protegidos de las inclemencias del tiempo. Almacénelos bajo llave donde no los puedan alcanzar niños y personas no capac-

itadas para usarlos. Estas herramientas pueden causar lesiones graves en manos de personas no capacitadas para usarlas.

Servicio y reparaciones

⚠ ADVERTENCIA

Los accesorios sometidos a reparaciones o mantenimiento indebidos pueden volverse peligrosos.

Las instrucciones de Mantenimiento abarcan la mayor parte de los servicios que requieren las herramientas MegaPress. Cualquier problema que no se mencione en esta sección debe confiarse exclusivamente a un técnico autorizado de RIDGID.

Ninguna pieza de estos accesorios tiene repuestos. Si el accesorio falla, deséchelo y adquiera uno nuevo.

Para información acerca del Servicentro RIDGID más cercano o respuestas acerca del mantenimiento o reparación de estas herramientas:

- Contacte al distribuidor de RIDGID en su localidad.
- Por internet visite el sitio www.RIDGID.com ó www.RIDGID.eu para averiguar dónde se encuentran los centros autorizados RIDGID más cercanos a su localidad.
- Llame al Departamento de Servicio Técnico de Ridge Tool desde EE.UU. o Canadá al (800) 519-3456 o escriba a rtctechservices@emerson.com.

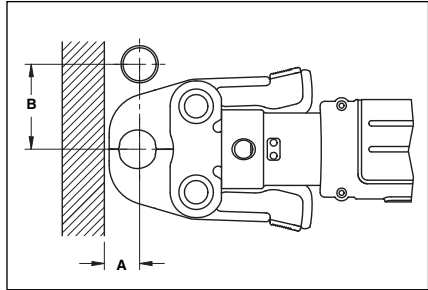
Eliminación

Piezas y partes de este equipo contienen materiales de valor, susceptibles de reciclarse. Averigüe cuáles empresas se especializan en reciclaje en su localidad. Deseche cualquier componente en conformidad con todas y cada una de las disposiciones vigentes en su jurisdicción. Para mayor información, llame a la agencia local encargada de la eliminación de residuos sólidos..

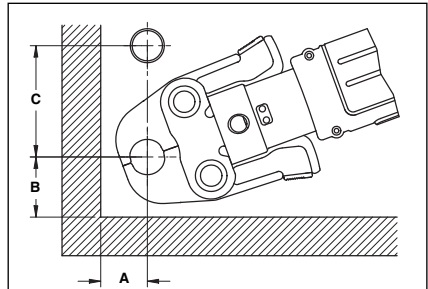
Selladuras en espacios restringidos

Las figuras siguientes muestran el espacio libre requerido para maniobrar mordazas y acopladores y el método para sellar acopladores en espacios restringidos.

Espacio libre requerido para las mordazas MegaPress serie Standard

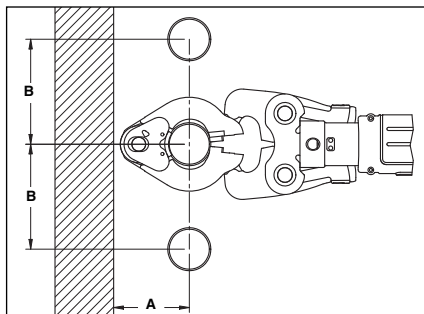


Ø del tubo	A (min.)		B (min.)	
	Pulgadas	mm	Pulgadas	mm
1/2"	1"	26	2 7/8"	67
3/4"	1 1/4"	32	3 1/8"	79
1"	1 3/4"	45	3 3/8"	92

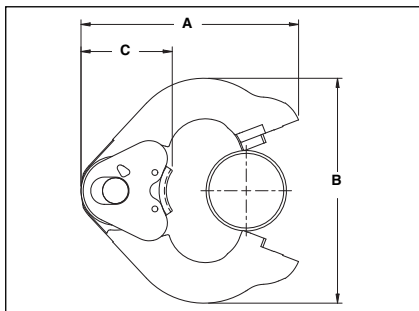


Ø del tubo	A (min.)		B (min.)		C (min.)	
	Pulgadas	mm	Pulgadas	mm	Pulgadas	mm
1/2"	1 1/4"	32	1 7/8"	48	3	76
3/4"	1 1/2"	38	2 1/8"	54	3 1/2"	89
1"	2"	51	2 1/2"	64	4"	101

Espacio libre requerido para los aros selladores MegaPress

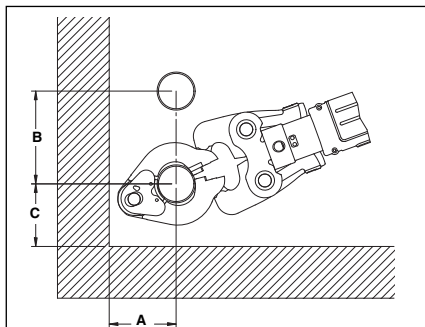


Ø del tubo	A (min.)		B (min.)	
	Pulgadas	mm	Pulgadas	mm
1 1/4"	3 3/4"	95	4 7/8"	124
1 1/2"	4"	102	5 1/8"	130
2"	4"	102	5 7/8"	137

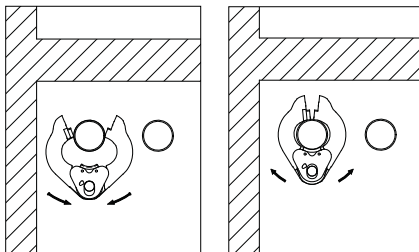


Ø del tubo	A (min.)		B (min.)		C (min.)	
	Pulgadas	mm	Pulgadas	mm	Pulgadas	mm
1 1/4"	6"	152	6 1/4"	159	2 1/2"	64
1 1/2"	6"	152	6 3/4"	171	2 5/8"	67
2"	6"	152	6 7/8"	175	2 1/2"	64

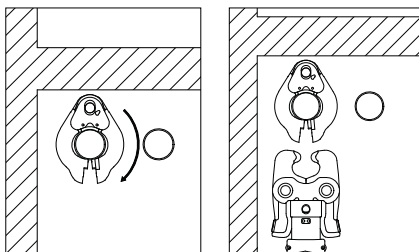
Método para sellar en espacios restringidos con un aro sellador



Ø del tubo	A (min.)		B (min.)		C (min.)	
	Pulgadas	mm	Pulgadas	mm	Pulgadas	mm
1 1/4"	3 3/4"	95	3 3/4"	95	4 7/8"	124
1 1/2"	4"	102	4"	102	5 1/8"	130
2"	4"	102	4"	102	5 7/8"	137



1. Coloque el aro sellador alrededor del acoplador de frente...
2. ...hasta que el aro sellador se asiente en el acoplador.



3. Mantenga el aro sellador cerrado y gírelo por sobre el acoplador hasta que la abertura quede hacia delante.
4. Enclave el accionador del aro y lleve a cabo la selladura.

Detección de averías

PROBLEMA	POSIBLES CAUSAS	SOLUCIÓN
<p>Las conexiones que se sellan no se completan.</p>	<p>Se usaron mordazas o aro sellador que no son los correctos para el diámetro del tubo o del material.</p> <p>Las mordazas o el aro no fueron puestos rectamente sobre el tubo.</p> <p>Las mordazas han sobrepasado su expectativa de vida útil y pueden haber fallado.</p> <p>Tubo mal preparado.</p>	<p>Instale las mordazas correctas.</p> <p>Vuelva a efectuar la junta empleando un nuevo tubo y un nuevo acoplador. Asegure de colocar las mordazas o el aro de sellado en ángulo recto con respecto al acoplador.</p> <p>Si las mordazas están agrietadas, reemplácelas con nuevas mordazas. Vuelva a efectuar una selladura empleando un nuevo tubo y un nuevo acoplador.</p> <p>Siga las instrucciones del fabricante del acoplamiento para preparar el tubo.</p>
<p>Se producen aletas grandes o afiladas en la unión, allí donde se juntan las puntas de las mordazas o del aro.</p>	<p>Acumulación de desechos en las curvaturas (cerca de las puntas) de mordazas o aros selladores.</p> <p>Mordazas o aros demasiado desgastados o dañados.</p>	<p>Limpie las curvas interiores de las mordazas o del aro empleando una almohadilla para pulir metales tipo Scotch-Brite®. Consulte las instrucciones en la sección <i>Mantenimiento</i>.</p> <p>Deseche las mordazas o aro sellador. Reemplácelos por accesorios nuevos de RIDGID.</p>
<p>Las mordazas o aros se pegan demasiado al acoplador al completarse la selladura.</p>	<p>Acumulación de desechos en las curvaturas (cerca de las puntas) de mordazas o aros selladores.</p>	<p>Limpie las curvas interiores de las mordazas o del aro empleando una almohadilla para pulir metales tipo Scotch-Brite®. Consulte las instrucciones en la sección <i>Mantenimiento</i>.</p>

What is covered

RIDGID® tools are warranted to be free of defects in workmanship and material.

How long coverage lasts

This warranty lasts for the lifetime of the RIDGID® tool. Warranty coverage ends when the product becomes unusable for reasons other than defects in workmanship or material.

How you can get service

To obtain the benefit of this warranty, deliver via prepaid transportation the complete product to RIDGE TOOL COMPANY, Elyria, Ohio, or any authorized RIDGID® INDEPENDENT SERVICE CENTER. Pipe wrenches and other hand tools should be returned to the place of purchase.

What we will do to correct problems

Warranted products will be repaired or replaced, at RIDGE TOOL'S option, and returned at no charge, or, if after three attempts to repair or replace during the warranty period the product is still defective, you can elect to receive a full refund of your purchase price.

What is not covered

Failures due to misuse, abuse or normal wear and tear are not covered by this warranty. RIDGE TOOL shall not be responsible for any incidental or consequential damages.

How local law relates to the warranty

Some states do not allow the exclusion or limitation of incidental or consequential damages, so the above limitation or exclusion may not apply to you. This warranty gives you specific rights, and you may also have other rights, which vary, from state to state, province to province, or country to country.

No other express warranty applies

This FULL LIFETIME WARRANTY is the sole and exclusive warranty for RIDGID® products. No employee, agent, dealer, or other person is authorized to alter this warranty or make any other warranty on behalf of the RIDGE TOOL COMPANY.



Full lifetime warranty (garantie légale étendue à la durée de vie du produit, voir conditions de garantie / legal warranty extended to the product lifecycle, see warranty conditions)

Parts are available online at RIDGIDParts.com



Ridge Tool Company

400 Clark Street
Elyria, Ohio 44035-6001
U.S.A.

Ce qui est couvert

Les outils RIDGID® sont garantis contre tous vices de matériaux et de main d'œuvre.

Durée de couverture

Cette garantie est applicable durant la vie entière de l'outil RIDGID®. La couverture cesse dès lors que le produit devient inutilisable pour raisons autres que des vices de matériaux ou de main d'œuvre.

Pour invoquer la garantie

Pour toutes réparations au titre de la garantie, il convient d'expédier le produit complet en port payé à la RIDGE TOOL COMPANY, Elyria, Ohio, ou bien le remettre à un réparateur RIDGID® agréé. Les clés à pipe et autres outils à main doivent être ramenés au lieu d'achat.

Ce que nous ferons pour résoudre le problème

Les produits sous garantie seront à la discrétion de RIDGE TOOL, soit réparés ou remplacés, puis réexpédiés gratuitement, ou si, après trois tentatives de réparation ou de remplacement durant la période de validité de la garantie le produit s'avère toujours défectueux, vous aurez l'option de demander le remboursement intégral de son prix d'achat.

Ce qui n'est pas couvert

Les défaillances dues au mauvais emploi, à l'abus ou à l'usure normale ne sont pas couvertes par cette garantie. RIDGE TOOL ne sera tenue responsable d'aucuns dommages directs ou indirects.

L'influence de la législation locale sur la garantie

Puisque certaines législations locales interdisent l'exclusion des dommages directs ou indirects, il se peut que la limitation ou exclusion ci-dessus ne vous soit pas applicable. Cette garantie vous donne des droits spécifiques qui peuvent être éventuellement complétés par d'autres droits prévus par votre législation locale.

Il n'existe aucune autre garantie expresse

Cette GARANTIE PERPETUELLE INTEGRALE est la seule et unique garantie couvrant les produits RIDGID®. Aucun employé, agent, distributeur ou tiers n'est autorisé à modifier cette garantie ou à offrir une garantie supplémentaire au nom de la RIDGE TOOL COMPANY.

Qué cubre

Las herramientas RIDGID® están garantizadas contra defectos de la mano de obra y de los materiales empleados en su fabricación.

Duración de la cobertura

Esta garantía cubre a la herramienta RIDGID® durante toda su vida útil. La cobertura de la garantía caduca cuando el producto se torna inusable por razones distintas a las de defectos en la mano de obra o en los materiales.

Cómo obtener servicio

Para obtener los beneficios de esta garantía, envíe mediante porte pagado, la totalidad del producto a RIDGE TOOL COMPANY, en Elyria, Ohio, o a cualquier Servicentro Independiente RIDGID. Las llaves para tubos y demás herramientas de mano deben devolverse a la tienda donde se adquirieron.

Lo que hacemos para corregir el problema

El producto bajo garantía será reparado o reemplazado por otro, a discreción de RIDGE TOOL, y devuelto sin costo; o, si aún resulta defectuoso después de haber sido reparado o sustituido tres veces durante el período de su garantía, Ud. puede optar por recibir un reembolso por el valor total de su compra.

Lo que no está cubierto

Esta garantía no cubre fallas debido al mal uso, abuso o desgaste normal. RIDGE TOOL no se hace responsable de daño incidental o consiguiente alguno.

Relación entre la garantía y las leyes locales

Algunos estados de los EE.UU. no permiten la exclusión o restricción referente a daños incidentales o consiguientes. Por lo tanto, puede que la limitación o restricción mencionada anteriormente no rija para Ud. Esta garantía le otorga derechos específicos, y puede que, además, Ud tenga otros derechos, los cuales varían de estado a estado, provincia a provincia o país a país.

No rige ninguna otra garantía expresa

Esta GARANTIA VITALICIA es la única y exclusiva garantía para los productos RIDGID®. Ningún empleado, agente, distribuidor u otra persona está autorizado para modificar esta garantía u ofrecer cualquier otra garantía en nombre de RIDGE TOOL COMPANY.