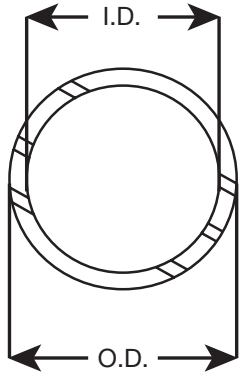


Dimensional Documentation



ProPress® for Stainless XL®

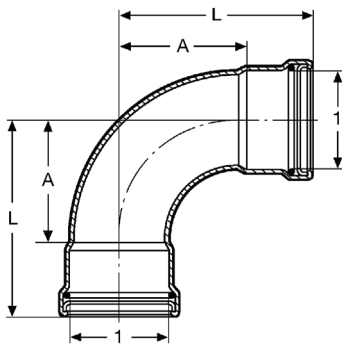


ProPress XL ECO Pipe 304 Stainless Steel ASTM A554- Model 0108XL

Part Number	Size	O.D.	I.D.	Wall Thickness	Length
S/S 304		(in)	(in)	(in)	(ft)
87080	2½"	2.63	2.47	0.08	20
87085	3"	3.13	2.97	0.08	20
87090	4"	4.13	3.97	0.08	20

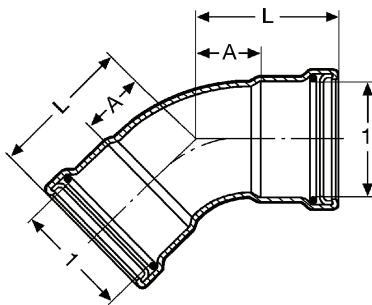
ProPress XL Pipe Stainless Steel ASTM A312 - Models 0107XL / 4007XL

Part Number		Size	O.D.	I.D.	Wall Thickness	Length
S/S 304	S/S 316		(in)	(in)	(in)	(ft)
87095	82042	2½"	2.63	2.47	0.08	20
87100	82050	3"	3.13	2.97	0.08	20
87105	82055	4"	4.13	3.97	0.08	20



ProPress XL 90° Elbow Stainless Steel P x P - Models 6016XL / 4016XL

Part Number		Size	A	L
S/S 304	S/S 316	1 1	(in)	(in)
85432	80430	2½" x 2½"	3.19	4.88
85437	80435	3" x 3"	3.76	5.73
85442	80440	4" x 4"	4.86	7.22

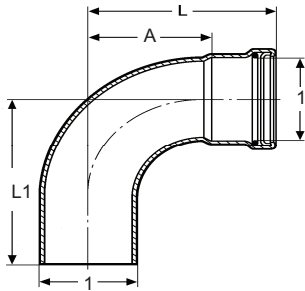


ProPress XL 45° Elbow Stainless Steel P x P - Models 6026XL / 4026XL

Part Number		Size	A	L
S/S 304	S/S 316	1 1	(in)	(in)
85477	80475	2½" x 2½"	1.48	3.18
85482	80480	3" x 3"	1.73	3.70
85487	80485	4" x 4"	2.19	4.55

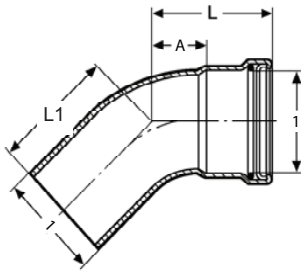
Dimensional Documentation

viega



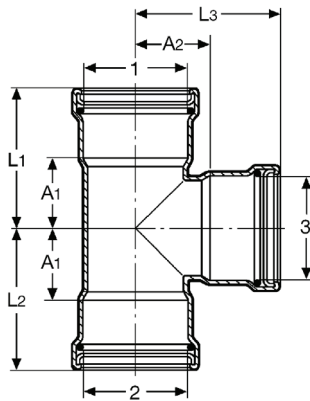
ProPress XL 90° Street Elbow Stainless Steel P x FTG - Models 6016.1XL / 4016.1XL

Part Number		Size	A	L	L1
S/S 304	S/S 316	1 1	(in)	(in)	(in)
85522	80520	2½" x 2½"	3.19	4.88	4.80
85527	80525	3" x 3"	3.76	5.73	5.63
85532	80530	4" x 4"	4.86	7.22	7.13



ProPress XL 45° Street Elbow Stainless Steel P x FTG - Models 6026.1XL / 4026.1XL

Part Number		Size	A	L	L1
S/S 304	S/S 316	1 1	(in)	(in)	(in)
85567	80565	2½" x 2½"	1.48	3.18	3.10
85572	80570	3" x 3"	1.73	3.70	3.60
85577	80575	4" x 4"	2.19	4.55	4.45

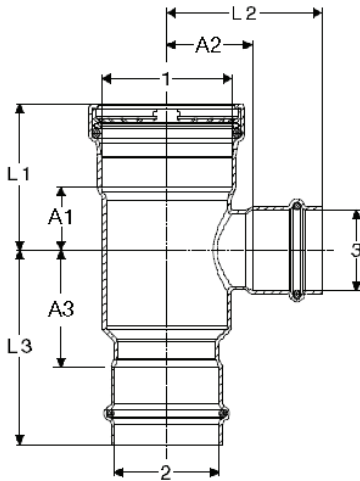


ProPress XL Tee Stainless Steel P x P x P - Models 6018XL / 4018XL

Part Number		Size	A1	A2	L1	L2
S/S 304	S/S 316	1 2 3	(in)	(in)	(in)	(in)
85934	80751	2½" x 2½" x 1½"	1.30	1.74	2.99	3.17
85904	80760	2½" x 2½" x 2"	1.54	1.78	3.23	3.37
85612	80610	2½" x 2½" x 2½"	1.83	1.87	3.52	3.56
85944	80782	3" x 3" x 1¼"	1.24	1.96	3.21	2.99
85935	80781	3" x 3" x 1½"	1.32	2.00	3.29	3.43
85905	80770	3" x 3" x 2"	1.56	2.04	3.52	3.62
85914	80780	3" x 3" x 2½"	1.85	2.13	3.82	3.82
85617	80615	3" x 3" x 3"	2.07	2.15	4.04	4.11
85945	80791	4" x 4" x 1½"	1.36	2.51	3.72	3.94
85915	80790	4" x 4" x 2"	1.59	2.55	3.96	4.13
85924	80800	4" x 4" x 2½"	1.89	2.64	4.25	4.33
85925	80810	4" x 4" x 3"	2.11	2.66	4.47	4.63
85622	80620	4" x 4" x 4"	2.60	2.66	4.96	5.02

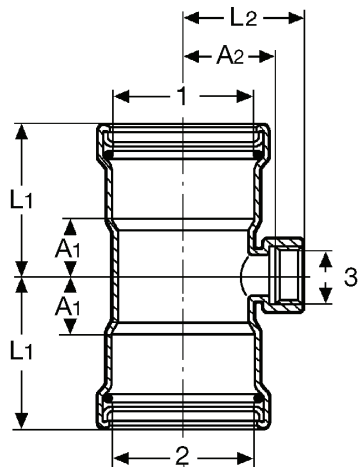
Dimensional Documentation

viega



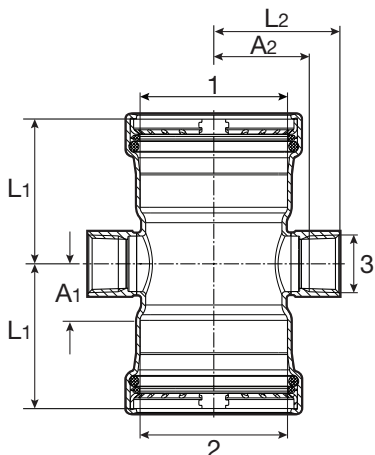
ProPress XL Tee Stainless Steel P x P x P - Models 6018XL / 4018XL

Part Number		Size			A1	A2	A3	L1	L2	L3
S/S 304	S/S 316	1	2	3	(in)	(in)	(in)	(in)	(in)	(in)
85955	80753	2½" x 2" x 1½"			1.30	1.74	2.37	2.99	3.17	3.96
85954	80752	2½" x 2" x 2"			1.54	1.78	2.70	3.23	3.37	4.27



ProPress XL Reducing Tee Stainless Steel P x P x FPT - Models 6017.2XL / 4017.2XL

Part Number		Size			A1	A2	L1	L2
S/S 304	S/S 316	1	2	3	(in)	(in)	(in)	(in)
85952	80950	2½" x 2½" x ¾"			1.02	1.73	2.72	2.28
85962	80960	2½" x 2½" x 1"			1.02	1.74	2.72	2.38
85972	80970	3" x 3" x ¾"			1.04	1.98	3.01	2.54
85982	80980	3" x 3" x 1"			1.04	1.98	3.01	2.64
85992	80990	4" x 4" x ¾"			1.08	2.50	3.44	3.05
86002	81000	4" x 4" x 1"			1.08	2.49	3.44	3.15

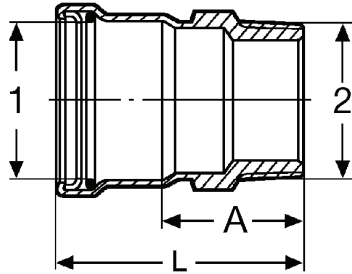


ProPress XL Cross Stainless Steel P x P x FPT x FPT - Model 4044.2XL

Part Number	Size			A1	A2	L1	L2
S/S 316	1	2	3	(in)	(in)	(in)	(in)
80067	2½" x 2½" x ¾"			1.02	1.73	2.62	2.28
80069	3" x 3" x ¾"			1.04	1.98	3.01	2.54
80068	4" x 4" x ¾"			1.08	2.50	3.44	3.05

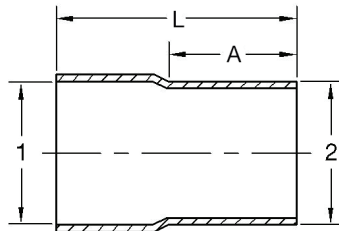
Dimensional Documentation

viega



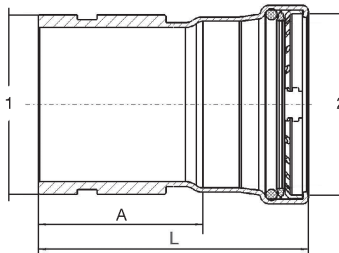
ProPress XL Adapter P x MPT - Models 6011XL / 4011XL

Part Number		Size		A	L
S/S 304	S/S 316	1	2	(in)	(in)
85062	80060	2½" x 2½" MPT		2.99	4.69
85067	80065	3" x 3" MPT		3.09	5.06
85072	80070	4" x 4" MPT		3.13	5.49



ProPress XL Adapter Stainless Steel BW (IPS) x FTG - Models 0113.1XL / 4013.1XL

Part Number		Size		A	L
S/S 304	S/S 316	1 (IPS)	2 (CTS)	(in)	(in)
85135	80081	2½" ID	2½" OD	2.32	4.37
85145	80082	3" ID	3" OD	2.60	4.57
85155	80083	4" ID	4" OD	2.99	5.16

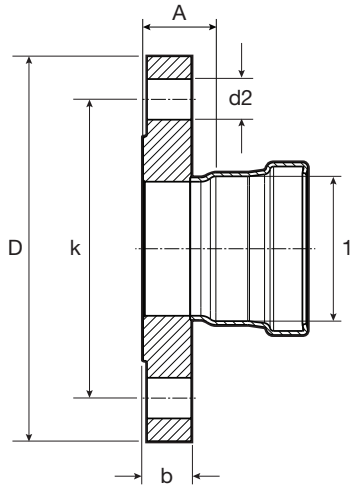


ProPress XL Adapter Stainless Steel Groove x P - Model 4013.2XL

Part Number	Size		A	L
S/S 316	1 (IPS)	2 (CTS)	(in)	(in)
80064	2½"	2½"	2.64	4.33
80061	3"	3"	2.66	4.63
80063	4"	4"	2.66	5.02

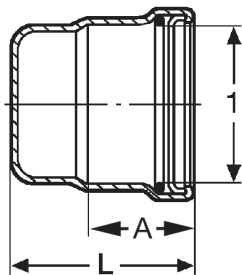
Dimensional Documentation

viega



ProPress XL Adapter Flange Stainless Steel P x Flange - Models 6059XL / 4059XL

Part Number		Size	A	L	b	D	k	d2
S/S 304	S/S 316	1	(in)	(in)	(in)	(in)	(in)	(in)
86067	81065	2½"	1.35	3.04	0.89	7.09	5.51	0.75
86072	81070	3"	1.39	3.40	0.96	7.48	5.98	0.75
86077	81075	4"	1.40	3.77	0.96	9.06	7.52	0.75

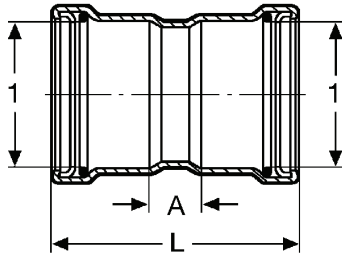


ProPress XL Cap Stainless Steel P x Cap - Models 6056.1XL / 4056.1XL

Part Number		Size	A	L
S/S 304	S/S 316	1	(in)	(in)
85387	80385	2½"	1.69	3.01
85392	80390	3"	1.97	3.33
85397	80395	4"	2.36	3.72

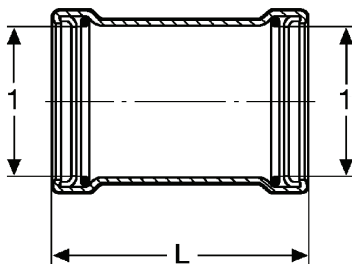
Dimensional Documentation

viega



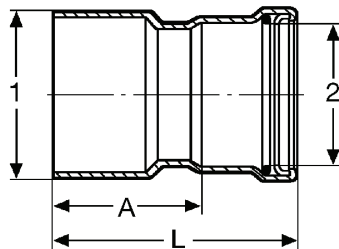
ProPress XL Coupling with Stop Stainless Steel P x P - Models 6015XL / 4015XL

Part Number		Size	A	L
S/S 304	S/S 316	1 1	(in)	(in)
85297	80295	2½" x 2½"	0.95	4.33
85302	80300	3" x 3"	0.98	4.92
85307	80305	4" x 4"	1.06	5.79



ProPress XL Coupling No Stop Stainless Steel P x P - Models 6015.5XL / 4015.5XL

Part Number		Size	L
S/S 304	S/S 316	1 1	(in)
85342	80340	2½" x 2½"	4.33
85347	80345	3" x 3"	4.92
85352	80350	4" x 4"	5.79



ProPress XL Reducer Stainless Steel FTG x P - Models 6015.1XL / 4015.1XL

Part Number		Size	A	L
S/S 304	S/S 316	1 2	(in)	(in)
85237	80235	2½" x 2"	2.85	4.43
85242	80240	3" x 2"	3.38	4.96
85247	80245	3" x 2½"	3.21	4.90
85252	80250	4" x 2"	4.26	5.85
85257	80255	4" x 2½"	4.09	5.79
85262	80260	4" x 3"	3.88	5.85

Viega products are designed to be installed by licensed and trained plumbing and mechanical professionals who are familiar with Viega products and their installation. **Installation by non-professionals may void Viega LLC's warranty.**

This document subject to updates. For the most current Viega technical literature please visit www.viega.us.

Viega LLC, 12303 Airport Way, Ste. 395 • Broomfield, CO 80021 • Ph: 800-976-9819 • Fax: 800-976-9817