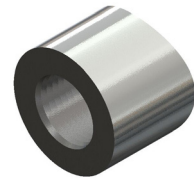


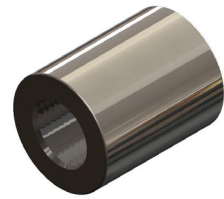


WELD-IN TANK ADAPTERS

316LSS Sampling Valve Tank Adapters for F38300SS and F38300SSAMBER Sampler Valves.



Contoured Sampling Valve Tank Adapter



Flat Back Sampling Valve Tank Adapter

CONTOURED to fit schedule 5 pipe from 1-1/2" through 10" sizes.		
Part No.	Size	Net Price
F23847-1SS540	1-1/2"	
F23847-2SS540	2"	
F23847-3SS540	2-1/2"	
F23847-4SS540	3"	
F23847-6SS540	4"	
F23847-8SS540	6"	
F23847-9SS540	8"	POA
F23847-10SS540	10"	POA

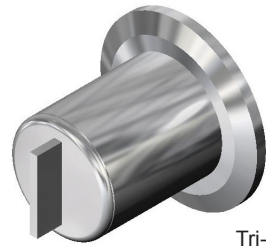
FLAT BACK Adapter - No Contour	
Part No.	Net Price
F32428-2SS540	

CLAMP TYPE Adapter	
Part No.	Net Price
F157255588	

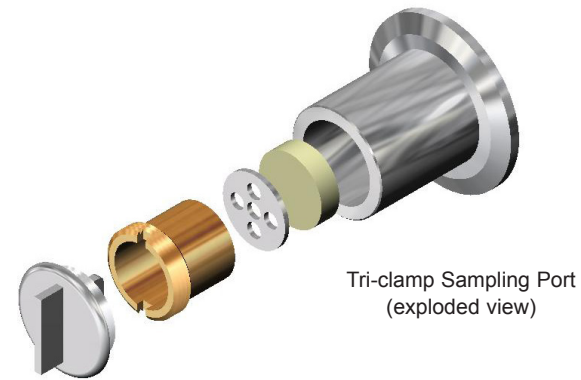
Relief Valve Replacement Parts			
	Part No.	Description	Net Price
A	F1732A508	Breaking Bar Rating Per Equipment	
B	F18450-2-507	Bar Holder (2)	
C	F1723-507	Pins (4)	
D	F1715A503	Body	
E	F2109	Bead Ring	
F	F1722	Diaphragm	
G	F38360-1	Keeper Ring	
H	F2108	Seal Wire (<i>not shown above</i>)	

TRI-CLAMP SAMPLING PORT

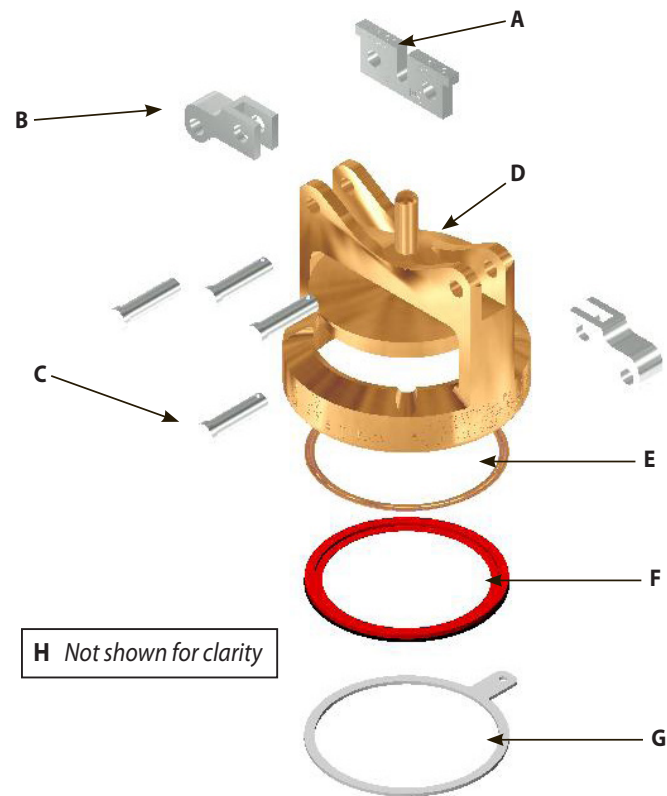
For use with needle extractions. Call for available connections.



Tri-clamp Sampling Port



Tri-clamp Sampling Port (exploded view)



H Not shown for clarity



2017

BREWERY FITTINGS PRODUCTS CATALOG

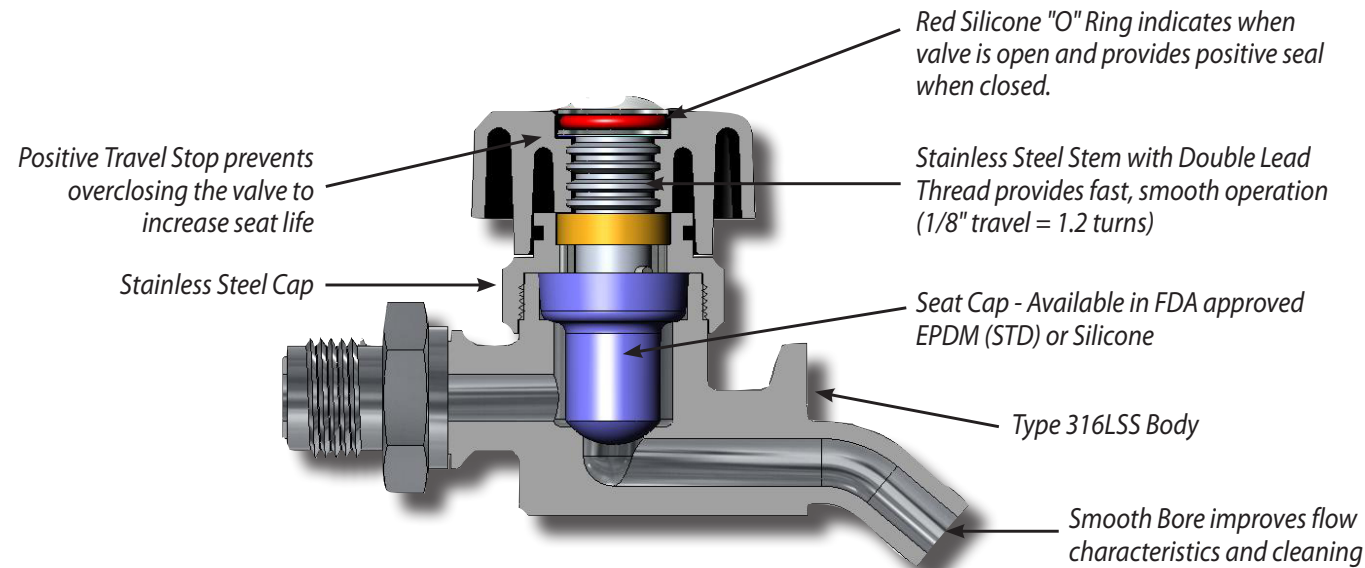




SAMPLING VALVES

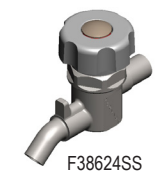
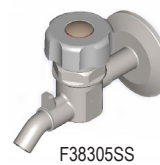
Available with Sanitary Thread, Male Taper Pipe Thread, Tri-clamp Ends, or 1/2" Butt Weld and **your choice of a Molded Black Handle or Solid Stainless Steel Handle.**

PERFORMANCE ENHANCING FEATURES



Pressure Rating 150 P.S.I.G.

Bacteria-proof Thread		
Part No.	Description	Net Price
F38300SSBLK	Sample Valve w/Black Handle and bacteria-proof thread	
F38300SS	Sample Valve w/Stainless Handle and bacteria-proof thread	
F11284-1	Fibre Washer	

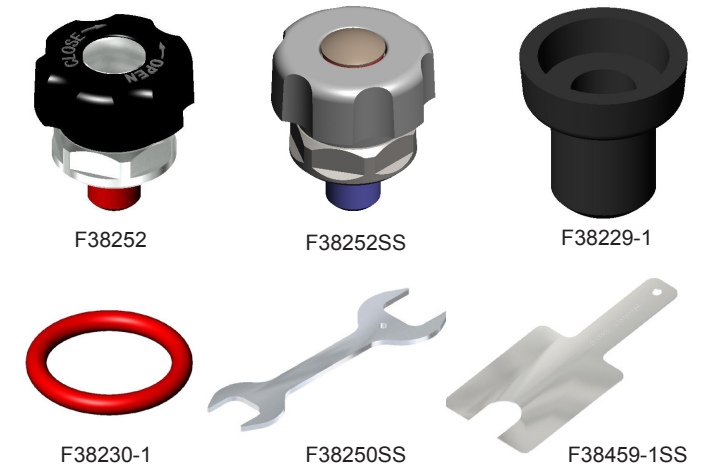


Tri-Clamp		
Part No.	Description	Net Price
F38304SSBLK	Sample Valve w/Black Handle and 1/2" Tri-Clamp end	
F38304SS	Sample Valve w/Stainless Handle and 1/2" Tri-Clamp end	
F38305SSBLK	Sample Valve w/Black Handle and 1-1/2" Tri-Clamp end	
F38305SS	Sample Valve w/Stainless Handle and 1-1/2" Tri-Clamp end	
F38306SSBLK	Sample Valve w/ Black Handle and 2" Tri-Clamp end	
F38306SS	Sample Valve w/Stainless Handle and 2" Tri-Clamp end	

Male Pipe Thread		
Part No.	Description	Net Price
F38301SSBLK	Sample Valve w/Black Handle and 1/8" male NPT	
F38301SS	Sample Valve w/Stainless Handle and 1/8" male NPT	
F38302SSBLK	Sample Valve w/Black Handle and 1/4" male NPT	
F38302SS	Sample Valve w/Stainless Handle and 1/4" male NPT	
F38303SSBLK	Sample Valve w/ Black Handle and 3/8" male NPT	
F38303SS	Sample Valve w/Stainless Handle and 3/8" male NPT	

1/2" Butt Weld End		
Part No.	Description	Net Price
F38624SSBLK	Sample Valve w/Black Handle and 1/2" OD 16 gauge Butt Weld End	
F38624SS	Sample Valve w/Stainless Handle and 1/2" OD 16 gauge Butt Weld End	

Replacement Parts for ALL VALVES		
Part No.	Description	Net Price
F38252	Bonnet Assembly, Black Handle	
F38252SS	Bonnet Assembly, Stainless Handle	
F38229-1	EPDM Seat Cup	
F38229-2	Silicone Seat Cup	
F38230-1	Silicone "O" Ring	



Accessories for ALL VALVES		
Part No.	Description	Net Price
F38250SS	Wrench	
F38459-1SS	Heat Shield	
F38244SS532	Capping Device	
F38245SS532	Locking Capping Device	
F2272SS540	5 Turn Proof Coil (pigtail)*	
F2272HSS540	15 Turn Proof Coil (pigtail)*	
F1260	Gasket (pigtail)	



***NOTE:** 5 Turn Proof Coil (shown right) and 15 Turn Proof Coil are in stock. Others are available upon application.



Sample Valve Attachment for 3/8" I.D. Hose		
Part No.	Description	Net Price
F16363SS540	Attachment, points down	
F16364SS540	Attachment, points up	POA

Sample Valve Attachment with 1/4" Female N.P.T.		
Part No.	Description	Net Price
F1005-1SS540	Attachment, points up	
F34808SS540	Attachment, points down	