



2017

QUICK CHILL PRODUCTS CATALOG

beverage dispensing components - brewery fittings



perlick.com/quick-chill

Prices subject to change without notice

Perlick®

TABLE OF CONTENTS

4	TOWERS, DRIP PANS, ACCESSORIES & AIR-COOLED DISPENSING SYSTEMS	42	TRUNK HOUSING - GLYCOL SYSTEM
	Glycol Ready Brew Pipe Towers 6	44	KEG COUPLERS & REPLACEMENT PARTS
	Brew Pipe Towers - Polished Chrome, Cobra Towers and Illuminated Cobra Towers 7		G-Series Keg Couplers 45
	Illuminated Polished Chrome Extreme Towers, Lotus Towers, Polished Chrome Lotus Towers, and Maya Towers 8		G-Series Keg Coupler Replacement Parts 45
	Brigitte Illuminated Towers and Brigitte Non-illuminated Towers 9		Lo-Boy Coupler 46
	Sexy Non-illuminated Towers and Iced Sexy Towers ... 9		D-Series Keg Couplers 46
	Sexy Illuminated Towers, Lucky, Panther and Sexy Drip Pans 10		D-Series Keg Coupler Replacement Parts 46
	Lucky and Panther Towers 11		Imported Keg Couplers 46
	Tee Towers and Tee Towers-Wide Base 12		26000G Series Keg Coupler Replacement Parts 47
	Bridge Tee Towers 13		26000D Series Keg Coupler Replacement Parts 48
	Back-to-Back Towers and Extra High Tee Towers and Bridge Towers 14		Wing Handle Keg Couplers 48
	Draft Arms, 4" Draft Arms, and Extra High Draft Arms... 15	49	TEST COUPLERS & THERMOMETERS
	Illuminated Seven Towers and Seven Towers 16		Test Couplers 49
	Wing Tee Towers & Illuminated Winged Tee Towers 17		Test Kits 49
	Winged Bridged Towers and Illuminated Winged Bridge Towers 18		Thermometer, Test 49
	Spacesaver Underbar Heads 19	50	BEER LINE CLEANING EQUIPMENT
	Roma Quick Chill Towers and Torino Quick Chill Towers 20		Electric Beer Line Cleaner 50
	Air-Cooled Wall Mount Dispensing Heads and Air-Cooled Draft Arms 21		Cleaning Kit 50
	Air-Cooled Tee Towers & Lucky Air-Cooled Towers... 22		Cleaning Brushes/Sterilizers 50
	Panther Air-Cooled Towers, Drain w/Rinser and Service Station Drop In Drainers 23		Cleaning Adapter 50
	Drainer w/Rinser and Drip Pans 23		Beer Line Cleaner Chemicals 51
	Drip Pans: Top Mounted and Recessed 24	52	PARTY PUMPS & REPLACEMENT PARTS
	Drip Pans: Wall Mounted, Cutout, Angled, and Underbar 25		Party Pumps, Piston/Bellows Styles 52
	Cooler Tapping Kits 26		Party Pumps, Other 52
	Air-Cooled Dispensing Systems 28		Keg Jacket 52
	Fish-Eye Premium Badges 29		Stainless Steel Coils 53
30	WINE TAPPING COMPONENTS		Replacement Parts for all Party Pumps 53
32	FAUCETS - BEER & WINE	55	REGULATORS & BEER PUMP PANELS
	Faucets - 630SS and 630PC 34	57	AIR/GAS DISTRIBUTION EQUIPMENT
	Faucets - 650SS, 680SS and 690SS 35	59	TUBING, FITTINGS, ETC.
	Faucets, Polished Chrome 36		Tubing, Air/Beverage 59
	Faucets, Tarnish-Free Brass 36		Fittings, Hose 59
	Faucets, Imported Stout and Ale Faucets 36		Tubing, Misc 59
	408/410 Faucet Replacement Parts 36		Fittings, Misc 60
	425/525/575 Faucet Replacement Parts 37		Clamps/Connectors 61
	Faucet Shanks/Replacement Shanks 38		Beverage Line Fittings 62
	Faucet Accessories 39		Tapes 62
	Push-back Water Faucets 39		Refrigerator Conversion Kits 62
	Growler Filler Tubes 39		Split Leg Apron 62
	FOB Detector and EKS 40	63	BREWERY FITTINGS
40	POWER PAKS, GLYCOL, ETC.		Sampling Valves 63
	Power Paks, PP Series 40		Replacement Parts for Sampling Valves 64
	Power Paks, 4400 Series 41		Accessories for All Valves 64
	Glycol/Glycol Pump/Coolant Kits 41		Weld-in Tank Adapters 65
	Power Pak Stands/Brackets 41		Tri-clamp Sampling Ports 65
	Power Pak Accessories 41	66	DIRECT DRAWS
			Direct Draws - DZS36 66
			DDS36QC, DDS60QC, DDS84QC, DDS108QC 67



Order

Perlick's new tapping catalog website makes ordering easy! Order 24 hours a day, 7 days a week.
www.perlick.com/quick-chill



Order By Phone

Speak with one of our representatives to find the parts you need by calling our toll-free number.
1-800-558-5592

Ordering Information

Order 24 hours a day 7 days a week. By phone via our toll free number between 8:00pm and 4:30pm CST. Handling and shipping charges with appropriate sales tax will be added to the invoice. Freight is F.O.B. Milwaukee, Wisconsin.

Warranty

Perlick products are guaranteed against defects in both material and workmanship for a period of one year from date of sale. Defective parts will be replaced on a no-charge basis, F.O.B. our factory, when adjudged defective upon inspection. We are not responsible for parts damaged by alteration, unauthorized service, accident or abuse. All costs incident to replacement, to include freight, labor and/or loss of sales, must be borne by the user.

Terms List 30 Days

Payment by Visa, MasterCard, Discover or American Express card accepted or cash in advance unless prior accommodations have been made with our credit department. Invoices are payable in full in thirty (30) days following the invoice date of issuance. If by the terms of sale credit is extended, Perlick reserves the right to revoke such credit if buyer fails to pay for any products when due and may demand payment prior to the commencement of any further shipment.

Please note:

**MINIMUM BILLING INVOICE AMOUNT IS \$40.00
FOR PHONE AND FAX ORDERS**

Return of Merchandise

Do not return any merchandise without our approval. Merchandise returned without a return merchandise authorization number will not be accepted at Perlick. Used, discontinued, and made-to-order items cannot be returned for credit. Items returned must be in new condition and packaged in their original carton or crate. Freight charges must be prepaid on all return shipments.

Lost and Damaged Merchandise

THE RESPONSIBILITY OF THE PERLICK CORPORATION CEASES UPON ACCEPTANCE OF ITS PRODUCTS BY THE CARRIER. Any damage or loss sustained in shipment is the carrier's responsibility. Before giving the carrier a clean receipt at time of delivery, make sure you receive every item on the bill and inspect every carton, crate and box for concealed damage, i.e., broken boards, crushed or punctured cartons, torn cardboard. IF ANY ITEMS ARE SHORT OR DAMAGED, DO NOT ACCEPT THE SHIPMENT UNLESS THE CARRIER MAKES A NOTATION OF THIS ON YOUR FREIGHT BILL. Then request an inspection. Do not destroy the packing materials. If their agent does not make an inspection within five days, advise the carrier via letter that you notified them regarding the matter and they have failed to act. You will need this letter to support your claim. Then file a claim for your loss. When you give the carrier a clean receipt, you accept the total responsibility for the shipment. UPS shipments are insured individually and UPS will replace all merchandise that is lost or damaged.



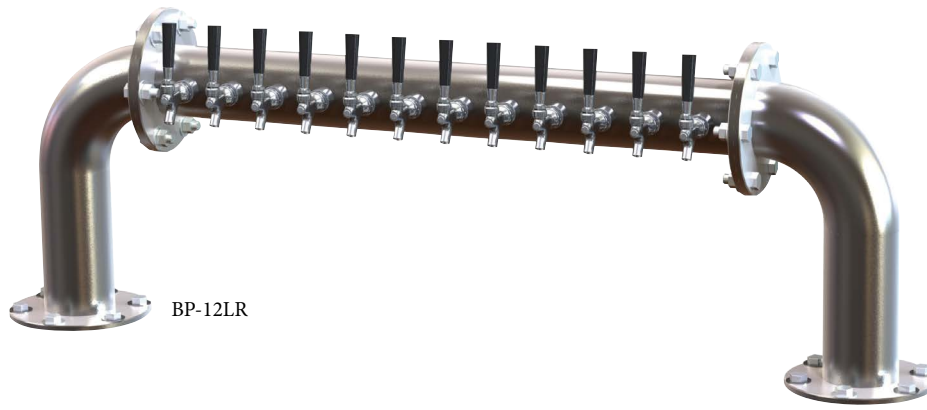


DISPENSING TOWERS

	Glycol Ready Brew Pipe Towers	6
Brew Pipe Towers - Polished Chrome, Cobra Towers, & Illuminated Cobra Towers		7
Illuminated Polished Chrome Extreme Towers. Lotus Towers, Polished Chrome Lotus Towers, and Maya Tower		8
Brigitte illuminated Towers and Brigitte Non-illuminated Towers		9
Sexy Non-illuminated Towers and Iced Sexy Towers		9
Sexy Illuminated Towers, Lucky, Panther and Sexy Drip Pans		10
Lucky and Panther Towers		11
Tee Towers and Tee Towers-Wide Base		12
Bridge Tee Towers		13
Back-to-Back Towers and Extra High Tee Towers and Bridge Towers		14
3" Draft Arms, 4" Draft Arms, and Extra High Draft Arms		15
Illuminated Seven Towers and Seven Towers		16
Wing Tee Towers and Illuminated Winged Tee Towers		17
Winged Bridged Towers and Illuminated Winged Bridge Towers		18
Spacesaver Underbar Heads		19
Roma Quick Chill Towers and Torino Quick Chill Towers		20
Air-Cooled Wall Mount Dispensing Heads		21
Air-Cooled Draft Arms and Tee Towers		22
Lucky/Panther Air-Cooled Towers		23
Drainer w/Rinser and Drip Pans		23
Drip Pans: Top Mounted and Recessed		24
Drip Pans: Wall Mounted, Cutout, Angled, and Underbar		25
Fish-Eye Premium Badges		26



- *To better serve our customers, Perlick has introduced an expanded range of Quick Chill beverage dispensing tower options.*
- *Faucets are ordered separately. Please see pages 36-38 for faucet information.*

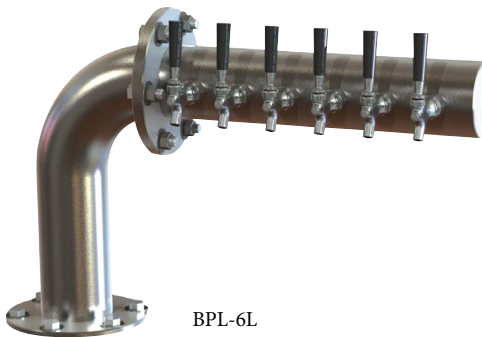


BP-12LR

BREW PIPE TOWERS

Features all metal stainless steel pipe for an industrial look in a pass-thru style, available with 6, 8, 10, 12, 16, or 20 faucets. Faucet height 17-3/4" (451). Faucets ordered separately.

Brew Pipe Towers - Beer Leads Left Stainless Steel Finish				Brew Pipe Towers - Beer Leads Right Stainless Steel Finish				Brew Pipe Towers - Beer Leads Left & Right Stainless Steel Finish			
Part No.	Faucets	Width	List Price	Part No.	Faucets	Width	List Price	Part No.	Faucets	Width	List Price
BP-6L	6	37-5/8" (956)	\$ 7,869.00	BP-6R	6	37-5/8" (956)	\$ 7,869.00	BP-12LR	12	55-5/8" (1413)	\$ 10,939.00
BP-8L	8	43-5/8" (1108)	\$ 8,743.00	BP-8R	8	43-5/8" (1108)	\$ 8,743.00	BP-16LR	16	67-1/2" (1714)	\$ 11,813.00
BP-10L	10	49-5/8" (1260)	\$ 9,708.00	BP-10R	10	49-5/8" (1260)	\$ 9,708.00	BP-20LR	20	79-3/8" (2016)	\$ 12,779.00



BPL-6L

BREW PIPE TOWERS - L-SHAPE

Features all metal brushed stainless steel for an industrial look in an "L" shape, available with 6, 8, or 10 faucets. Faucet height 17-3/4" (451). Faucets ordered separately.

Brew Pipe Towers - Beer Leads Left - Stainless Steel Finish			
Part No.	Faucets	Width	List Price
BPL-6L	6	28-3/4" (730)	\$ 4,211.00
BPL-8L	8	34-3/4" (883)	\$ 4,648.00
BPL-10L	10	40-3/4" (1035)	\$ 5,021.00

Brew Pipe Towers - Beer Leads Right- Stainless Steel Finish			
Part No.	Faucets	Width	List Price
BPL-6R	6	28-3/4" (730)	\$ 4,211.00
BPL-8R	8	34-3/4" (883)	\$ 4,648.00
BPL-10R	10	40-3/4" (1035)	\$ 5,021.00

TOP MOUNTED DRIP PANS - C18000 SERIES FOR BREW PIPE TOWERS

Stainless Steel			
Part No.	Width	Length	List Price
C18750-21	15-1/2"	21"	\$ 387.00
C18750-27	15-1/2"	27"	\$ 395.00
C18750-33	15-1/2"	33"	\$ 407.00
C18750-39	15-1/2"	39"	\$ 490.00
C18750-51	15-1/2"	51"	\$ 511.00
C18750-63	15-1/2"	63"	\$ 572.00

INSTALLATION BOLT KIT

For the Brew Pipe Towers.

Installation Bolt Kit		
Part No.	Description	List Price
4062-3.5	3.5" Bolts	\$ 32.00
4062-4.5	4.5" Bolts	\$ 57.00

Faucets are ordered separately. Please see pages 36-38 for more information.



4066-6L

BREW PIPE TOWERS - POLISHED CHROME

Features brewery pipe style in polished chrome finish with 6, 8, 10 or 12 faucets. Concealed mounting hardware for bottom flange allows for easier cleaning. 4" diameter pipe. Foamed in place heat exchanger. Maintains temperature - prevents "sweating." Faucets ordered separately.

Polished chrome - Beer Leads Left				
Part No.	No. of Faucets	Overall Width	Overall Height	List Price
BP-HL-6L	6	38-1/8"	17-1/2"	\$ 4,710.00
BP-HL-8L	8	44-1/8"	17-1/2"	\$ 5,177.00
BP-HL-10L	10	50-1/16"	17-1/2"	\$ 5,644.00

Polished chrome - Beer Leads Right				
Part No.	No. of Faucets	Overall Width	Overall Height	List Price
BP-HL-6R	6	38-1/8"	17-1/2"	\$ 4,710.00
BP-HL-8R	8	44-1/8"	17-1/2"	\$ 5,177.00
BP-HL-10R	10	50-1/16"	17-1/2"	\$ 5,644.00

Polished Chrome - Beer Leads Left and Right				
Part No.	No. of Faucets	Overall Width	Overall Height	List Price
BP-HL-12	12	56-1/16"	17-1/2"	\$ 6,017.00

Matching Option Drip Pans			
BP-HL--6L	BP-HL--8L	BP-HL-10L	
BP-HL--6R	BP-HL-8R	BP-HL-10R	BP-HL-12
C18750	C18750-27	C18750-33	C18750-39

Faucets are ordered separately. Please see pages 36-38 for more information.



CB-4B

COBRA TOWERS

Features an all metal, polished chrome finish with 1, 2, 3, and 4 faucets. Insulated restrictors engineered to site requirements. Faucets ordered separately.

Non-illuminated Cobra Towers				
Part No.	No. of Faucets	Overall Height	Faucet Height	List Price
CB-1B	1	16-1/2"	14-1/8"	\$ 685.00
CB-2B	2	16-1/2"	14-1/8"	\$ 1,074.00
CB-3B	3	16-1/2"	14-1/8"	\$ 1,570.00
CB-4B	4	16-1/2"	14-1/8"	\$ 1,716.00



CB-2BIM

ILLUMINATED COBRA TOWERS

Features an all metal, polished chrome finish with 1, 2, 3, and 4 faucets. Insulated restrictors engineered to site requirements. Faucets ordered separately.

Illuminated Cobra Towers				
Part No.	No. of Faucets	Overall Height	Faucet Height	List Price
CB-1BIM	1	19-3/16"	14-1/8"	\$ 1,022.00
CB-2BIM	2	18-5/16"	14-1/8"	\$ 1,784.00
CB-3BIM	3	22"	14-1/8"	\$ 2,448.00
CB-4BIM	4	22"	14-1/8"	\$ 2,810.00

4057-3B



POLISHED CHROME FALCO TOWER

Features an all metal, polished chrome finish with 1, 2 and 3 faucets. Insulated restrictors engineered to site requirements. Faucets ordered separately.

Polished Chrome Falco Tower				
Part No.	No. of Faucets	Overall Height	Faucet Height	List Price
FT-1B	1	18-11/16"	16"	\$925.00
FT-2B	2	18-11/16"	16"	\$1,181.00
FT-3B	3	18-11/16"	16"	\$1,318.00
Gold Tone Falco Tower (not shown)				
FT-1BGD	1	18-11/16"	16"	\$1,265.00
FT-2BGD	1	18-11/16"	16"	\$1,457.00
FT-3BGD	1	18-11/16"	16"	\$1,618.00

4057-1BIM



POLISHED CHROME ILLUMINATED FALCO TOWER

Features an all metal, polished chrome finish with 1, 2 and 3 faucets. Insulated restrictors engineered to site requirements. Faucets ordered separately.

Polished Chrome Illuminated Falco Tower				
Part No.	No. of Faucets	Overall Height	Faucet Height	List Price
FT-1BIM	1	22-1/16"	16"	\$1265
FT-2BIM	2	22-1/16"	16"	\$1457
FT-3BIM	3	23-5/16"	16"	\$2019
Gold Tone Illuminated Falco Tower (not shown)				
FT-1BGDIM	1	22-1/16"	16"	\$1,416.00
FT-2BGDIM	1	22-1/16"	16"	\$2,065.00
FT-3BGDIM	1	23-5/16"	16"	\$2,084.00



ILLUMINATED POLISHED CHROME EXTREME TOWERS

Features an all metal, polished chrome finish with 1 faucet and an illuminated medallion. Insulated restrictors engineered to site requirements. Faucets ordered separately.

Illuminated Polished Chrome Extreme Tower				
Part No.	No. of Faucets	Overall Height	Faucet Height	List Price
EX-1BIM	1	20-5/16"	14-1/8"	\$1,338.00



MAYA TOWERS

Features an all metal, polished chrome finish with 1 faucet. Insulated restrictors engineered to site requirements. Faucets ordered separately.

Illuminated Polished Chrome Maya Tower				
Part No.	No. of Faucets	Overall Height	Faucet Height	List Price
MA-1BIM	1	20-1/2"	13-9/16"	\$1,967.00



LS-4B

POLISHED CHROME LOTUS TOWER

Features an all metal, polished chrome finish with 1, 2, 3, 4 and 5 faucets. Insulated restrictors engineered to site requirements. Faucets ordered separately.

Polished Chrome Lotus Tower				
Part No.	No. of Faucets	Overall Height	Faucet Height	List Price
LS-1B	1	17-15/16"	14-1/8"	\$1,189.00
LS-2B	2	17-15/16"	14-1/8"	\$1,686.00
LS-3B	3	17-15/16"	14-1/8"	\$1,788.00
LS-4B	4	17-15/16"	14-1/8"	\$2,796.00
LS-5B	5	17-15/16"	14-1/8"	\$2,853.00



LTMW-1BIM



LTDW-1BIM

LOTUS TOWERS

Features all metal, wood look with illuminated medallion. Insulated restrictors engineered to site requirements. Faucets ordered separately.

Medium Wood Tower				
Part No.	No. of Faucets	Overall Height	Faucet Height	List Price
LTMW-1BIM	1	22-5/8"	14-1/8"	\$2,260.00

Dark Wood Tower				
Part No.	No. of Faucets	Overall Height	Faucet Height	List Price
LTDW-1BIM	1	22-5/8"	14-1/8"	\$2,260.00



BRIGITTE NON-ILLUMINATED TOWERS

Features a polished chrome-plated finish with 3, 5, or 7 faucets. Faucets ordered separately.

Brigitte Illuminated Towers - Polished Chrome				
Part No.	Faucets	Height	Width	List Price
BR-3B	3	20.86" (530)	17-13/16" (453)	\$ 1,728.00
BR-5B	5	20.86" (530)	22-1/4" (566)	\$ 2,154.00
BR-7B	7	20.86" (530)	31-1/2" (800)	\$ 4,345.00



SEE PAGE 31 FOR FULL LINE OF FISH EYE PREMIUM ID BADGES

BRIGITTE ILLUMINATED TOWERS

Features a polished chrome-plated finish with 3, 5, or 7 faucets and plug-and-play illuminated medallions. Faucets ordered separately.

Brigitte Illuminated Towers - Polished Chrome				
Part No.	Faucets	Height	Width	List Price
BR-3BIM	3	20-7/8" (530)	17-13/16" (453)	\$ 2,139.00
BR-5BIM	5	20-7/8" (530)	22-1/4" (566)	\$ 2,675.00
BR-7BIM	7	20-7/8" (530)	31-1/2" (800)	\$ 5,485.00

Faucets are ordered separately. Please see pages 36-38 for more information.



SY-2B



SY-3BIM

SEXY NON-ILLUMINATED TOWERS

Feature all metal polished chrome or gold tone body and are available with three faucets. Gold tone include tarnish-free brass faucets. Polished chrome include polished chrome faucets. This tower is offered with Glycol cooled or flooded to put a coat of ice on the outside of the tower. Illuminated medallions come as shown with white badges. Brand I.D. badges are available from the beer wholesalers. Faucets ordered separately.

Sexy Non-Illuminated Towers

Part No.	Description	Height	Width	List Price
SY-2B	Polished chrome 2 faucet sexy style tower	16.21" (412)	4.20" (107)	\$ 886.00
SY-2BGD	Gold tone 2 faucet sexy style tower	16.21" (412)	4.20" (107)	\$ 921.00

Iced Sexy Towers

Part No.	Description	Height	Width	List Price
SY-F-3BIM	3 Faucet Sexy polished chrome illuminated (iced)	16.21" (412)	4.20" (107)	\$ 1,945 .00

SEXY ILLUMINATED TOWERS

Feature all metal polished chrome or gold tone body and are available with three faucets. Gold tone include tarnish-free brass faucets. Polished chrome include polished chrome faucets. This tower is offered with Glycol cooled or flooded to put a coat of ice on the outside of the tower. Illuminated medallions come as shown with white badges. The height is 20-5/8" (524). Brand I.D. badges are available from the beer wholesalers. Faucets ordered separately.

Sexy Illuminated Towers

Part No.	Description	Width	List Price
SY-3BIM	Polished chrome 3 faucet illuminated sexy style tower	8.5" (216)	\$ 1,909.00
SY-3BGDIM	Gold tone 3 faucet illuminated sexy style tower	8.5" (241)	\$ 1,890.00
SY-4BIM	Polished chrome 4 faucet illuminated sexy style tower	9.5" (216)	\$ 1,982.00
SY-4BGDIM	Gold tone 4 faucet illuminated sexy style tower	9.5" (241)	\$ 2,005.00

Faucets are ordered separately. Please see pages 36-38 for more information.

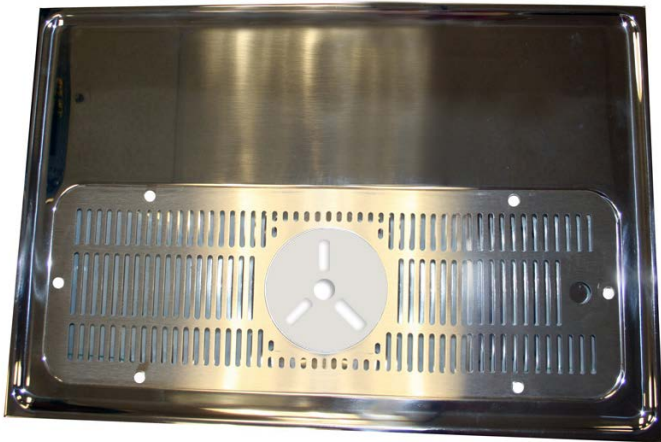


43840SS

LUCKY, PANTHER AND SEXY DRIP PANS

Part No.	Description	List Price
43839SS	16" x 16" Stainless steel Drip Pan	\$ 452.00
43839G	16" x 16" Gold tone Drip Pan	\$ 550.00
43840SS*	16" x 23-3/4" Stainless steel Drip Pan	\$ 564.00
43840G*	16" x 23-3/4" Gold tone Drip Pan	\$ 671.00

* Not recommended for two 4-faucet Panthers



43840SS-R

STAINLESS STEEL DRAINER W/RINSER

Part No.	Description	List Price
43840SS-R	16" x 23-3/4" SS Drainer w/Rinser	\$ 620.00



**MEDALLIONS FOR
SEXY TOWERS - CALL
PERLICK FOR ORDERING
INSTRUCTIONS**



LT-2B

Drip Pans sold separately

LUCKY TOWERS

Feature all metal polished chrome or gold tone body and are available with one, two or three faucet(s).

Gold tone include tarnish-free brass faucet(s). Polished chrome include polished chrome faucet(s). Faucets ordered separately. Faucet height 13", overall height 16-1/16"

Standard Lucky Towers

Part No.	Description	List Price
LT-1B	1 Faucet Lucky polished chrome	\$ 894.00
LT-1BGD	1 Faucet Lucky gold tone	\$ 894.00
LT-2B	2 Faucet Lucky polished chrome	\$ 1,209.00
LT-2BGD	2 Faucet Lucky gold tone	\$ 1,209.00
LT-3B	3 Faucet Lucky polished chrome	\$ 1,328.00
LT-3BGD	3 Faucet Lucky gold tone	\$ 1,328.00

Iced Lucky Towers*

Part No.	Description	List Price
LT-F-1B	1 Faucet Lucky polished chrome	\$ 1,080.00
LT-F-2B	2 Faucet Lucky polished chrome	\$ 1,287.00

*NOTE In order to build a layer of ice on the exterior of the tower, an additional power pak is required, located as near as possible to the tower.

Faucets are ordered separately. Please see pages 36-38 for more information.



PT-3B

Drip Pans sold separately

PANTHER TOWERS

Feature all metal polished chrome or gold tone body and are available with three or four faucets. Gold tone include tarnish-free brass faucets. Polished chrome include polished chrome faucets. Faucets ordered separately. Faucet height 13", overall height 15-3/4".

Standard Panther Towers

Part No.	Description	List Price
PT-3B	3 Faucet Panther polished chrome	\$ 1,630.00
PT-3BGD	3 Faucet Panther gold tone	\$ 1,630.00
PT-4B	4 Faucet Panther polished chrome	\$ 1,835.00
PT-4BGD	4 Faucet Panther gold tone	\$ 1,835.00

Iced Panther Towers*

Part No.	Description	List Price
PT-F-3B	3 Faucet Panther polished chrome	\$ 1,820.00
PT-F-4B	4 Faucet Panther polished chrome	\$ 2,003.00

***NOTE** In order to build a layer of ice on the exterior of the tower, an additional power pak is required, located as near as possible to the tower.



Tee Tower

TEE TOWERS

Tee Towers available with stainless steel, polished chrome or tarnish-free brass finish. Includes a restriction kit to balance each faucet in the field. Faucets are on 2-3/4" centers. Faucets ordered separately. Faucet Height 9-1/2", Overall Height 12-15/16" (329).

Stainless Steel Tee Towers				Polished Chrome Tee Towers				Tarnish-Free Brass Tee Towers			
Part No.	Faucets	Width	List Price	Part No.	Faucets	Width	List Price	Part No.	Faucets	Width	List Price
TT2SS	2	9-1/8" (232)	\$ 775.00	TT2PC	2	9-1/8" (232)	\$ 823.00	TT2TF	2	9-1/8" (232)	\$ 948.00
TT3SS	3	9-1/8" (232)	\$ 777.00	TT3PC	3	9-1/8" (232)	\$ 886.00	TT3TF	3	9-1/8" (232)	\$ 932.00
TT4SS	4	11-7/8" (302)	\$ 918.00	TT4PC	4	11-7/8" (302)	\$ 974.00	TT4TF	4	11-7/8" (302)	\$ 1,075.00
TT5SS	5	14-5/8" (372)	\$ 1,148.00	TT5PC	5	14-5/8" (372)	\$ 1,250.00	TT5TF	5	14-5/8" (372)	\$ 1,343.00
TT6SS	6	17-3/8" (441)	\$ 1,283.00	TT6PC	6	17-3/8" (441)	\$ 1,358.00	TT6TF	6	17-3/8" (441)	\$ 1,506.00
TT7SS	7	20-1/8" (511)	\$ 1,352.00	TT7PC	7	20-1/8" (511)	\$ 1,517.00	TT7TF	7	20-1/8" (511)	\$ 1,669.00

TEE TOWERS - WIDE BASE

Stainless Steel Tee Towers Wide Base				Polished Chrome Tee Towers Wide Base				Tarnish-Free Brass Tee Towers Wide Base			
Part No.	Faucets	Width	List Price	Part No.	Faucets	Width	List Price	Part No.	Faucets	Width	List Price
TT8SS	8	22-7/8" (581)	\$ 1,505.00	TT8PC	8	22-7/8" (581)	\$ 1,685.00	TT8TF	8	22-7/8" (581)	\$ 1,829.00
TT9SS	9	26-7/8" (683)	\$ 1,654.00	TT9PC	9	26-7/8" (683)	\$ 1,795.00	TT9TF	9	26-7/8" (683)	\$ 2,059.00
TT10SS	10	29-13/16" (757)	\$ 1,866.00	TT10PC	10	29-13/16" (757)	\$ 2,025.00	TT10TF	10	29-13/16" (757)	\$ 2,320.00
TT12SS	12	35-3/4" (908)	\$ 2,068.00	TT12PC	12	35-3/4" (908)	\$ 2,247.00	TT12TF	12	35-3/4" (908)	\$ 2,581.00

Faucets are ordered separately. Please see pages 36-38 for more information.



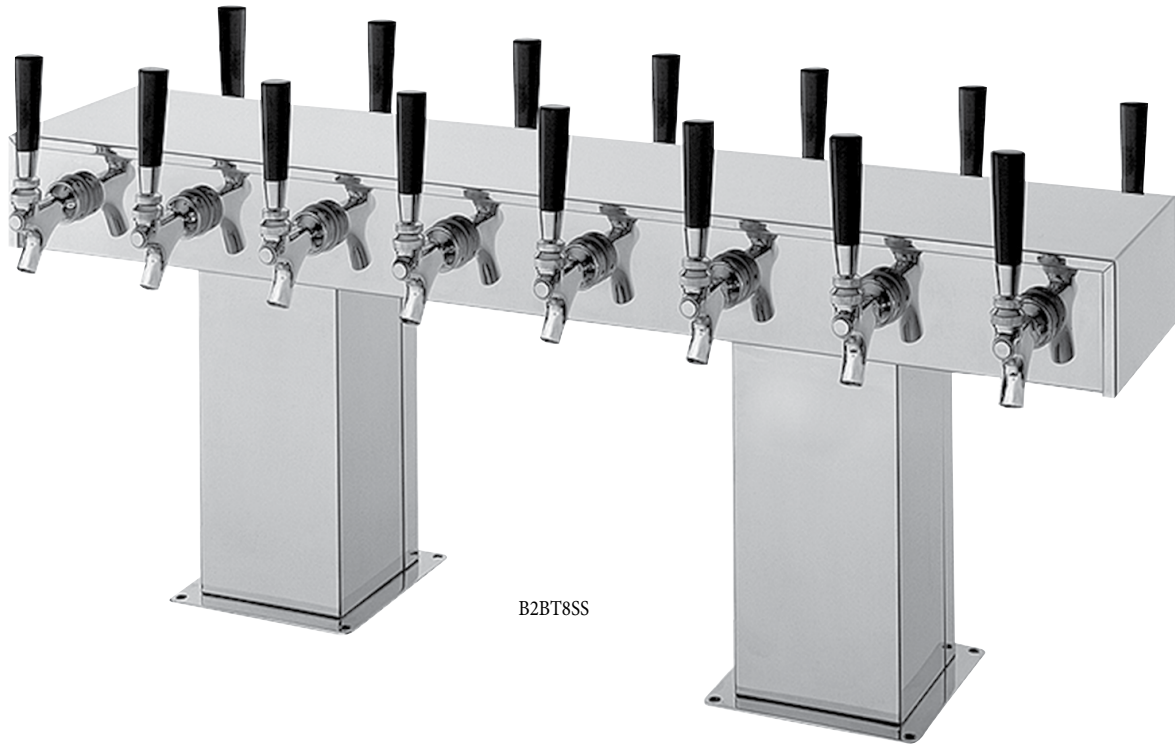
BT8BSS

BRIDGE TEE TOWERS

Bridge Towers available with stainless steel, polished chrome or tarnish-free brass finish. Includes a restriction kit to balance each faucet in the field. Faucets ordered separately. Faucet Height 9-1/2", Overall Height 12-15/16".

Stainless Steel Bridge Tee towers				Polished Chrome Bridge Towers				Tarnish-Free Brass Bridge Towers			
Part No.	Faucets	Width	List Price	Part No.	Faucets	Width	List Price	Part No.	Faucets	Width	List Price
BT8BSS	8	33-1/8" (841)	\$ 1,829.00	BT8BPC	8	33-1/8" (841)	\$ 1,973.00	BT8BTF	8	33-1/8" (841)	\$ 2,192.00
BT9BSS	9	33-1/8" (841)	\$ 1,854.00	BT9BPC	9	33-1/8" (841)	\$ 1,947.00	BT9BTF	9	33-1/8" (841)	\$ 2,257.00
BT10BSS	10	33-1/8" (841)	\$ 2,447.00	BT10BPC	10	33-1/8" (841)	\$ 2,695.00	BT10BTF	10	33-1/8" (841)	\$ 2,856.00
BT12BSS	12	33-1/8" (841)	\$ 2,613.00	BT12BPC	12	33-1/8" (841)	\$ 2,774.00	BT12BTF	12	33-1/8" (841)	\$ 3,055.00
BT16BSS	16	44-1/8" (1121)	\$ 3,691.00	BT16BPC	16	44-1/8" (1121)	\$ 3,886.00	BT16BTF	16	44-1/8" (1121)	\$ 4,312.00
BT20BSS	20	55-1/8" (1400)	\$ 3,793.00	BT20BPC	20	55-1/8" (1400)	\$ 4,000.00	BT20BTF	20	55-1/8" (1400)	\$ 4,453.00
BT24BSS	24	71-11/16" (1821)	\$ 3,750.00	BT24BPC	24	71-11/16" (1821)	\$ 4,082.00	BT24BTF	24	71-11/16" (1821)	\$ 4,697.00
BT30BSS	30	89-9/16" (2275)	\$ 4,464.00	BT30BPC	30	89-9/16" (2275)	\$ 4,849.00	BT30BTF	30	89-9/16" (2275)	\$ 5,586.00

Faucets are ordered separately. Please see pages 36-38 for more information.



BRIDGE TOWERS - BACK TO BACK

Features all-metal stainless steel, polished chrome and tarnish-free brass body available with 16, 20, 24, 32 or 36 faucets. Tarnish-free models include tarnish-free brass faucets. Polished chrome and stainless steel models include polished chrome faucet(s). Height is 12-15/16" (329). Faucets ordered separately.

Bridge Tee Towers - Back to Back Stainless Steel				Bridge Tee Towers - Back to Back Polished Chrome				Bridge Tee Towers - Back to Back Tarnish-Free Brass			
Part No.	Faucets	Width	List Price	Part No.	Faucets	Width	List Price	Part No.	Faucets	Width	List Price
B2BT8SS	16	23-5/16" (592)	\$ 3,322.00	B2BT8PC	16	23-5/16" (592)	\$ 3,577.00	B2BT8TF	16	23-5/16" (592)	\$ 4,046.00
B2BT10SS	20	29-5/16" (774)	\$ 3,743.00	B2BT10PC	20	29-5/16" (774)	\$ 4,119.00	B2BT10TF	20	29-5/16" (774)	\$ 4,573.00
B2BT12SS	24	35-7/8" (911)	\$ 4,183.00	B2BT12PC	24	35-7/8" (911)	\$ 4,510.00	B2BT12TF	24	35-7/8" (911)	\$ 5,118.00
B2BT16SS	32	47-13/16" (1214)	\$ 5,188.00	B2BT16PC	32	47-13/16" (1214)	\$ 5,597.00	B2BT16TF	32	47-13/16" (1214)	\$ 6,356.00
B2BT18SS	36	53-3/4" (1365)	\$ 6,041.00	B2BT18PC	36	53-3/4" (1365)	\$ 6,515.00	B2BT18TF	36	53-3/4" (1365)	\$ 7,397.00

EXTRA HIGH TEE TOWERS AND BRIDGE TOWERS

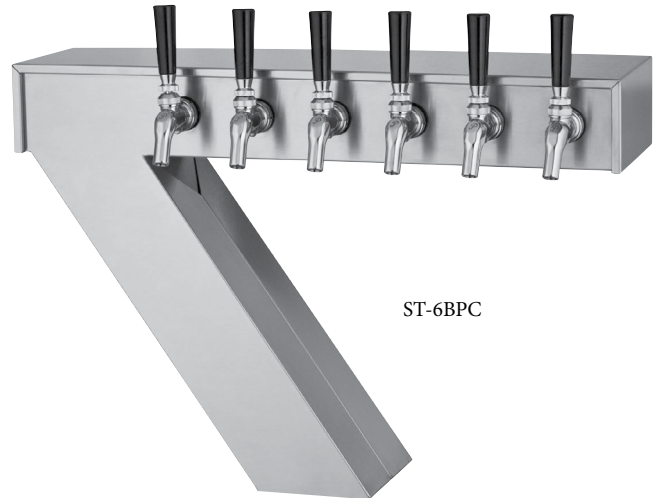
To order towers higher than standard, add suffix number and additional amount to List price for the head selected. The additional cost is per leg.

Extra High Towers						
Suffix	No. of Faucets	Dispensing Head	Additional Height	Faucet Height	Overall Height	Add - per leg (List)
2	ALL	Tee Tower	2-5/8"	12-1/8"	15-9/16"	\$ 89.00
4	ALL	Tee Tower	3-3/4"	13-1/4"	16-11/16"	\$ 100.00

Faucets are ordered separately. Please see pages 36-38 for more information.



STP-6BTFIM



ST-6BPC

ILLUMINATED SEVEN TOWERS

Seven Tower available with stainless steel, polished chrome or tarnish-free brass finish. Includes a restriction kit to balance each faucet in the field. Illuminated medallions come as shown with white badges. Brand I.D. badges are available from the beer wholesalers. Faucets ordered separately. Faucet height 13", overall height 16-1/2".

Illuminated Seven Towers - Stainless Steel Finish		
Part No.	Faucets	List Price
STP-4BIM	4	\$ 2,074.00
STP-5BIM	5	\$ 2,555.00
STP-6BIM	6	\$ 2,768.00

Illuminated Seven Towers - Polished Chrome Finish		
Part No.	Faucets	List Price
STP-4BPCIM	4	\$ 2,164.00
STP-5BPCIM	5	\$ 2,665.00
STP-6BPCIM	6	\$ 2,885.00

Illuminated Seven Towers - Tarnish-Free Brass Finish		
Part No.	Faucets	List Price
STP-4BTFIM	4	\$ 2,541.00
STP-5BTFIM	5	\$ 2,997.00
STP-6BTFIM	6	\$ 3,237.00

SEVEN TOWERS

Seven Tower available with stainless steel, polished chrome or tarnish-free brass finish. Includes a restriction kit to balance each faucet in the field. Faucets ordered separately. Faucet height 13", overall height 16-1/2".

Seven Towers - Stainless Steel Finish		
Part No.	Faucets	List Price
ST-4B	4	\$ 1,704.00
ST-5B	5	\$ 1,980.00
ST-6B	6	\$ 2,078.00

Seven Towers - Polished Chrome Finish		
Part No.	Faucets	List Price
ST-4BPC	4	\$ 1,754.00
ST-5BPC	5	\$ 2,001.00
ST-6BPC	6	\$ 2,195.00

Seven Towers - Tarnish-Free Brass Finish		
Part No.	Faucets	List Price
ST-4BTF	4	\$ 1,994.00
ST-5BTF	5	\$ 2,320.00
ST-6BTF	6	\$ 2,547.00



Faucets are ordered separately. Please see pages 36-38 for more information.



WTT-6BPC



WTT-6BPCIM



SEE PAGE 31
FOR FULL LINE OF
FISH EYE PREMIUM
ID BADGES

WINGED TEE TOWERS

Features all metal stainless steel, polished chrome and tarnish-free brass body available with four, five, six or eight faucets. Tarnish-free products include tarnish-free brass faucets. Polished chrome and stainless steel models include polished chrome faucet(s). Includes a restriction kit to balance each faucet in the field. Faucets ordered separately. Faucet height 13".

Winged Tee Towers - Stainless Steel Finish

Part No.	Faucets	List Price
WTT-4B	4	\$ 1,415.00
WTT-5B	5	\$ 1,554.00
WTT-6B	6	\$ 1,686.00
WTT-S8B	8	\$ 2,012.00

Winged Tee Towers - Polished Chrome Finish

Part No.	Faucets	List Price
WTT-4BPC	4	\$ 1,496.00
WTT-5BPC	5	\$ 1,642.00
WTT-6BPC	6	\$ 1,783.00
WTT-S8BPC	8	\$ 2,130.00

Winged Tee Towers - Tarnish-Free Brass Finish

Part No.	Faucets	List Price
WTT-4BTF	4	\$ 1,734.00
WTT-5BTF	5	\$ 1,910.00
WTT-6BTF	6	\$ 2,078.00
WTT-S8BTF	8	\$ 2,487.00

ILLUMINATED WINGED TEE TOWERS

Features all metal stainless steel, polished chrome and tarnish-free brass body available with four, five, six or eight faucets. Tarnish-free products include tarnish-free brass faucets. Polished chrome and stainless steel models include polished chrome faucet(s). Includes a restriction kit to balance each faucet in the field. Illuminated medallions come as shown with white badges. Brand I.D. badges are available from the beer wholesalers. Faucets ordered separately. Faucet height 13".

Illuminated Winged Tee Towers - Stainless Steel Finish

Part No.	Faucets	List Price
WTPP-4BIM	4	\$ 1,892.00
WTPP-5BIM	5	\$ 2,151.00
WTPP-6BIM	6	\$ 2,402.00
WTPP-S8BIM	8	\$ 3,015.00

Illuminated Winged Tee Towers - Polished Chrome Finish

Part No.	Faucets	List Price
WTPP-4BPCIM	4	\$ 1,974.00
WTPP-5BPCIM	5	\$ 2,239.00
WTPP-6BPCIM	6	\$ 2,499.00
WTPP-S8BPCIM	8	\$ 3,134.00

Illuminated Winged Tee Towers - Tarnish-Free Brass Finish

Part No.	Faucets	List Price
WTPP-4BTFIM	4	\$ 2,212.00
WTPP-5BTFIM	5	\$ 2,507.00
WTPP-6BTFIM	6	\$ 2,795.00
WTPP-S8BTFIM	8	\$ 3,491.00

Faucets are ordered separately. Please see pages 36-38 for more information.



WBT-12BPC



WBT-12BPCIM

WINGED BRIDGE TOWERS

Features all metal stainless steel, polished chrome and tarnish-free brass body available with eight, ten or twelve faucets. Tarnish-free products include tarnish-free brass faucets. Polished chrome and stainless steel models include polished chrome faucet(s). Includes a restriction kit to balance each faucet in the field. Faucets ordered separately. Faucet height 13".

Winged Bridge Towers - Stainless Steel Finish

Part No.	Faucets	List Price
WBT-8B	8	\$ 2,275.00
WBT-10B	10	\$ 2,541.00
WBT-12B	12	\$ 2,841.00

Winged Bridge Towers - Polished Chrome Finish

Part No.	Faucets	List Price
WBT-8BPC	8	\$ 2,407.00
WBT-10BPC	10	\$ 2,691.00
WBT-12BPC	12	\$ 3,010.00

Winged Bridge Towers - Tarnish-Free Brass Finish

Part No.	Faucets	List Price
WBT-8BTF	8	\$ 2,803.00
WBT-10BTF	10	\$ 3,141.00
WBT-12BTF	12	\$ 3,519.00

ILLUMINATED WINGED BRIDGE TOWERS

Features all metal stainless steel, polished chrome and tarnish-free brass body available with eight, ten or twelve faucets. Tarnish-free products include tarnish-free brass faucets. Polished chrome and stainless steel models include polished chrome faucet(s). Includes a restriction kit to balance each faucet in the field. Illuminated medallions come as shown with white badges. Brand I.D. badges are available from the beer wholesalers. Faucets ordered separately. Faucet height 13".

Illuminated Winged Bridge Towers - Stainless Steel Finish

Part No.	Faucets	List Price
WBTP-8BIM	8	\$ 3,237.00
WBTP-10BIM	10	\$ 3,784.00
WBTP-12BIM	12	\$ 4,342.00

Illuminated Winged Bridge Towers - Polished Chrome Finish

Part No.	Faucets	List Price
WBTP-8BPCIM	8	\$ 3,369.00
WBTP-10BPCIM	10	\$ 3,934.00
WBTP-12BPCIM	12	\$ 4,511.00

Illuminated Winged Bridge Towers - Tarnish-Free Brass Finish

Part No.	Faucets	List Price
WBTP-8BTFIM	8	\$ 3,765.00
WBTP-10BTFIM	10	\$ 4,383.00
WBTP-12BTFIM	12	\$ 5,019.00

Faucets are ordered separately. Please see pages 36-38 for more information.





UB13-3B



UB21-4B

SPACESAVER UNDERBAR HEADS

Available with lines extending out of back or bottom of heads. Faucets ordered separately.

13" Spacesaver (with leads out back of head)

Part No.	Description	List Price
UB13-2B	13" Spacesaver with 2 faucets	\$ 865.00
UB13-3B	13" Spacesaver with 3 faucets	\$ 980.00
UB13-4B	13" Spacesaver with 4 faucets	\$ 1,110.00

13" Spacesaver (with leads out bottom of head)

Part No.	Description	List Price
UB13-2B-BTM	13" Spacesaver with 2 faucets	\$ 865.00
UB13-3B-BTM	13" Spacesaver with 3 faucets	\$ 980.00
UB13-4B-BTM	13" Spacesaver with 4 faucets	\$ 1,110.00

SPACESAVER UNDERBAR HEADS

Available with lines extending out of back or bottom of heads. Faucets ordered separately.

21" Spacesaver (with leads out back of head)

Part No.	Description	List Price
UB21-2B	21" Spacesaver with 2 faucets	\$ 1,021.00
UB21-3B	21" Spacesaver with 3 faucets	\$ 1,066.00
UB21-4B	21" Spacesaver with 4 faucets	\$ 1,195.00
UB21-5B	21" Spacesaver with 5 faucets	\$ 1,322.00
UB21-6B	21" Spacesaver with 6 faucets	\$ 1,537.00
UB21-7B	21" Spacesaver with 7 faucets	\$ 1,751.00

21" Spacesaver (with leads out bottom of head)

Part No.	Description	List Price
UB21-3B-BTM	21" Spacesaver with 3 faucets	\$ 1,066.00
UB21-4B-BTM	21" Spacesaver with 4 faucets	\$ 1,195.00
UB21-5B-BTM	21" Spacesaver with 5 faucets	\$ 1,322.00
UB21-6B-BTM	21" Spacesaver with 6 faucets	\$ 1,537.00
UB21-7B-BTM	21" Spacesaver with 7 faucets	\$ 1,751.00



Faucets are ordered separately. Please see pages 36-38 for more information.



RT_BK-4B
Roma Tower



TC-BL-3B
Torino Collar

ROMA QUICK CHILL TOWERS

Faucet Height 13-1/8", Overall Height 20-1/4".
Faucets ordered separately.
Color Key — BK=Black, WH=White, BL=Blue, GR=Green

Roma Quick Chill Towers (Brass)			
Part No.	List Price	Part No.	List Price
RT-BK-3B	\$ 1,874	RT-BL-3B	\$ 1,874.00
RT-BK-4B	\$ 1,976	RT-BL-4B	\$ 1,976.00
RT-BK-5B	\$ 2,077	RT-BL-5B	\$ 2,077.00
RT-WH-3B	\$ 1,874	RT-GR-3B	\$ 1,874.00
RT-WH-4B	\$ 1,976	RT-GR-4B	\$ 1,976.00
RT-WH-5B	\$ 2,077	RT-GR-5B	\$ 2,077.00

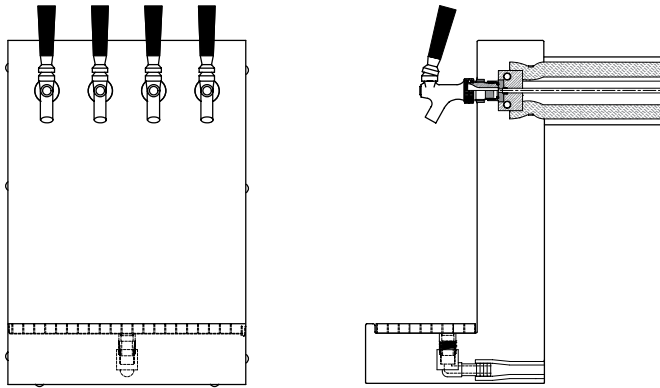
Roma Quick Chill Towers (Chrome)			
Part No.	List Price	Part No.	List Price
RT-BK-3BPC	\$ 1,874	RT-BL-3BPC	\$ 1,874.00
RT-BK-4BPC	\$ 1,976	RT-BL-4BPC	\$ 1,976.00
RT-BK-5BPC	\$ 2,077	RT-BL-5BPC	\$ 2,077.00
RT-WH-3BPC	\$ 1,874	RT-GR-3BPC	\$ 1,874.00
RT-WH-4BPC	\$ 1,976	RT-GR-4BPC	\$ 1,976.00
RT-WH-5BPC	\$ 2,077	RT-GR-5BPC	\$ 2,077.00

TORINO QUICK CHILL TOWERS

Faucet Height 16-5/8", Overall Height 26-7/8".
Faucets ordered separately.
Color Key — WH=White, BL=Blue, GR=Green

Torino Quick Chill Towers	
Part No.	List Price
TC-WH-1B	\$ 2,136.00
TC-WH-2B	\$ 2,362.00
TC-WH-3B	\$ 2,607.00
TC-BL-1B	\$ 2,136.00
TC-BL-2B	\$ 2,362.00
TC-BL-3B	\$ 2,607.00
TC-GR-1B	\$ 2,136.00
TC-GR-2B	\$ 2,362.00
TC-GR-3B	\$ 2,607.00

Faucets are ordered separately. Please see pages 36-38 for more information.



3774-4B Air Cooled
Wall Mounted Dispenser

AIR-COOLED WALL MOUNT DISPENSING HEADS

Stainless steel wall mount towers include a built-in drainer. The 2 and 4 faucet model is 12-1/4" wide and the 6 and 8 faucet model is 23" wide.

2 & 4 Faucet Wall Mount Dispenser

Part No.	Description	List Price
3774A2B	2 Faucet stainless steel dispenser w/drainer	\$ 1,117.00
3774A4B	4 Faucet stainless steel dispenser w/drainer	\$ 1,119.00

Note: The 2 and 4 faucet wall mount dispenser use the same body. For the 2 faucet model, 2 holes are plugged.

6 & 8 Faucet Wall Mount Dispenser

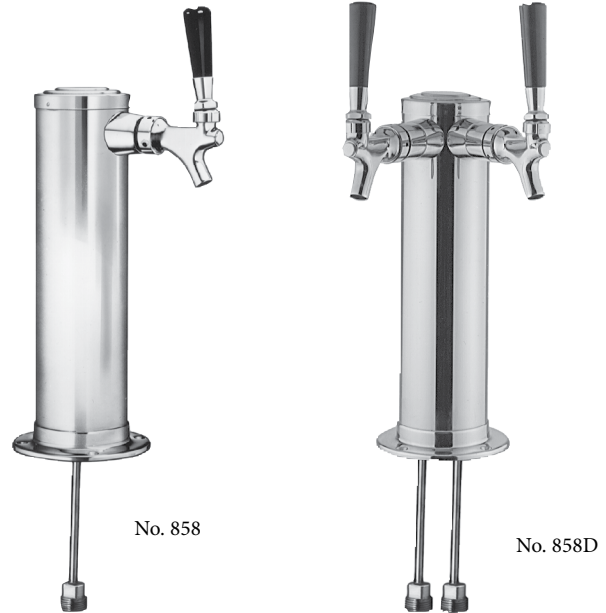
Part No.	Description	List Price
3775A6B	6 Faucet stainless steel dispenser w/drainer	\$ 1,422.00
3775A8B	8 Faucet stainless steel dispenser w/drainer	\$ 1,473.00

Note: The 6 and 8 faucet wall mount dispenser use the same body. For the 6 faucet model, 2 holes are plugged.

WRENCHES FOR DRAFT ARMS

Part No.	Description	List Price
4134	For one faucet	\$ 79.00
4135	For two divided faucets	\$ 57.00
4136	For two parallel faucets	\$ 64.00

Faucets are ordered separately. Please see pages 36-38 for more information.

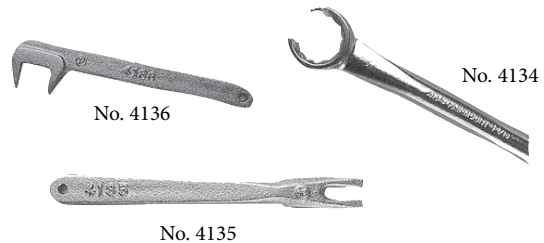


DRAFT ARMS - AIR-COOLED

Throw away your brass polish. Perlick Draft Arm dispensing heads are now available in tarnish-free polished brass that stays looking like new without tedious polishing. All Perlick Draft Arms are equipped with a stainless steel supply tube with male Cleveland thread connection. Air baffle included. Faucets ordered separately. Available in polished chrome and tarnish-free polished brass.

Part No.	Description	List Price
858	1 Faucet - polished chrome	\$ 250.00
858TF	1 Faucet - tarnish-free polished brass	\$ 390.00
858D	2 Faucet - polished chrome	\$ 361.00
858DTF	2 Faucet - tarnish-free polished brass	\$ 690.00
3722	3 Faucet - polished chrome	\$ 551.00
3722TF	3 Faucet - tarnish-free polished brass	\$ 861.00
C15747-1	Air baffle for 12-11/16" heads	\$18.00
C23896-1	Air baffle for 3722 series heads	\$ 11.00

Note: All draft arms are 12-11/16" high (9-7/16" to faucet) except 3722/3722TF which are 1" higher. Extra high draft arms are available; call Perlick for part numbers and prices.





DA2PC



DA4-4BPC

Drip Pans sold separately

3" O.D. DRAFT ARMS

Draft Arms are available with polished chrome or tarnish-free brass finish. Includes a restriction kit to balance each faucet in the field. Faucets ordered separately.

Polished Chrome Draft Arms				
Part No.	Faucets	Faucet Height	Overall Height	List Price
DA1PC	1	9-1/2"	12-3/4"	\$ 541.00
DA2PC	2	9-1/2"	12-3/4"	\$ 755.00
DA3PC	3	10-1/2"	13-3/4"	\$ 954.00

Tarnish-Free Brass Draft Arms				
Part No.	Faucets	Faucet Height	Overall Height	List Price
DA1TF	1	9-1/2"	12-3/4"	\$ 775.00
DA2TF	2	9-1/2"	12-3/4"	\$ 1,060.00
DA3TF	3	10-1/2"	13-3/4"	\$ 1,3920.00

EXTRA HIGH DRAFT ARMS

To order draft arms higher than standard, add suffix number and additional amount to List price for the head selected.

(Example: to order a one faucet draft arm that is 13-3/4" tall, order Part No. DA1PC1. List price \$279.78)

Faucets are ordered separately. Please see pages 36-38 for more information.

4" O.D. DRAFT ARMS

4" Draft Arms				
Part No.	Description	Faucet Height	Overall Height	List Price
DA4-3BPC	Polished chrome - 3 faucet	10-1/2"	14"	\$ 1,080.00
DA4-4BPC	Polished chrome - 4 faucet	10-1/2"	14"	\$ 1,180.00
DA4-3BTF	Tarnish-free brass - 3 faucet	10-1/2"	14"	\$ 1,443.00
DA4-4BTF	Tarnish-free brass - 4 faucet	10-1/2"	14"	\$ 1,476.00

O.D. DRIP PANS

Part No.	Description	List Price
66596	Drip Pan 8" x 14" w/ 6" cut out	\$ 426.00
66596TF	TF Brass Drip Pan 8" x 14" w/6" cut out	\$ 530.00

Extra High Draft Arms					
Suffix	No. of Faucets	Additional Height	Faucet Height	Overall Height	Add (List)
1	1	1"	10-1/2"	13-3/4"	\$ 78.00
3	1	3"	11-1/2"	15-3/4"	\$ 89.00
1	2	1"	10-1/2"	13-3/4"	\$ 78.00
3	2	3"	11-1/2"	15-3/4"	\$ 89.00
2	3	2"	12-1/2"	15-3/4"	\$ 89.00



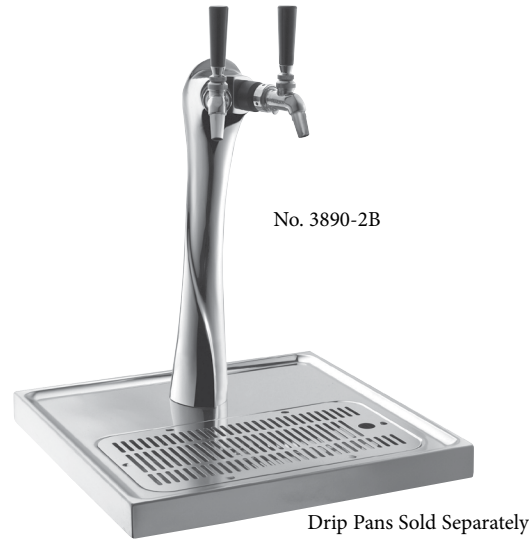
No. 3780-5B

TEE TOWERS - AIR-COOLED

Throw away your brass polish. Perlick tarnish-free polished brass stays looking like new without tedious polishing. Perlick Tee Towers are available in polished chrome, stainless steel and tarnish-free polished brass. Height: 13" Faucet Centers: 2-3/4"

Part No.	Description	Width	List Price
3780-3B	3 Faucet - stainless steel	9-1/4"	\$ 581.00
3780-4B	4 Faucet - stainless steel	12"	\$ 692.00
3780-5B	5 Faucet - stainless steel	14-3/4"	\$ 806.00
3780-6B	6 Faucet - stainless steel	17-3/4"	\$1,021.00
3780-3BPC	3 Faucet - polished chrome	9-1/4"	\$ 643.00
3780-4BPC	4 Faucet - polished chrome	12"	\$ 751.00
3780-5BPC	5 Faucet - polished chrome	14-3/4"	\$ 909.00
3780-6BPC	6 Faucet - polished chrome	17-3/4"	\$ 1,152.00
3780-3BTF	3 Faucet - tarnish-free polished brass	9-1/4"	\$ 811.00
3780-4BTF	4 Faucet - tarnish-free polished brass	12"	\$ 1,025.00
3780-5BTF	5 Faucet - tarnish-free polished brass	14-3/4"	\$ 1,186.00
3780-6BTF	6 Faucet - tarnish-free polished brass	17-3/4"	\$ 1,409.00

Faucets are ordered separately. Please see pages 36-38 for more information.



No. 3890-2B

Drip Pans Sold Separately

LUCKY AIR-COOLED TOWERS

Features an all metal polished chrome or gold tone body. Lucky is available with one or two faucets in polished chrome or tarnish-free gold tone. Faucets ordered separately. **Made for mounting on 1-1/2" surface thickness only.**

Air Cooled Lucky Towers		
Part No.	Description	List Price
3890-1B	1 Faucet Lucky polished chrome air-cooled tower	\$ 996.00
3890-2B	2 Faucet Lucky polished chrome air-cooled tower	\$ 1,233.00
3890GD-1B	1 Faucet Lucky gold tone air-cooled tower	\$ 1,001.00
3890GD-2B	2 Faucet Lucky gold tone air-cooled tower	\$ 1,238.00



Drip Pan

LUCKY/PANTHER DRIP PANS

Drip Pans for Lucky and Panther Towers		
Part No.	Description	List Price
43839SS	16" x 16" Stainless steel drip pan	\$ 452.00
43839G	16" x 16" Gold tone drip pan	\$ 550.00
43840SS*	16" x 23-1/4" Stainless steel drip pan	\$ 564.00
43840G*	16" x 23-1/4" Gold tone drip pan	\$ 671.00

* Not recommended for two 4 faucet Panthers.



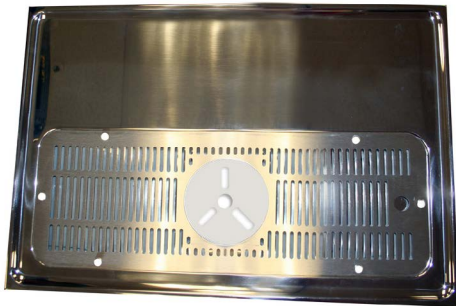
No. 3895GD-3B

Drip Pans Sold Separately

PANTHER AIR-COOLED TOWERS

Features an all metal polished chrome or gold tone body. Panther is available with three or four faucets in polished chrome or tarnish-free gold tone. Faucets ordered separately. **Made for mounting on 1-1/2" surface thickness only.**

Air Cooled Panther Towers		
Part No.	Description	List Price
3895-3B	3 Faucet Maxi Panther polished chrome air-cooled tower	\$ 1,879.00
3895-4B	4 Faucet Maxi Panther polished chrome air-cooled tower	\$ 2,107.00
3895GD-3B	3 Faucet Maxi Panther gold tone air-cooled tower	\$ 1,887.00
3895GD-4B	4 Faucet Maxi Panther gold tone air-cooled tower	\$ 2,107.00



DRAINER WITH RINSER

Drip Pans for Lucky and Panther Towers		
Part No.	Description	List Price
43840SS-R	16x23-1/4 Stainless Steel drain pan with Rinser	\$ 620.00

Faucets are ordered separately. Please see pages 36-38 for more information.



4058-4B

POLISHED CHROME HAVANA TOWER

Features an all metal, polished chrome finish with 3, 4, 5 and 6 faucets. Includes NSF Listed 630SS Forward Sealing Faucets.

Polished Chrome Havana Tower				
Part No.	No. of Faucets	Overall Height	Faucet Height	List Price
HA-3B	3	19-13/16"	14-1/16"	\$2,040.00
HA-4B	4	19-13/16"	14-1/16"	\$2,212.00
HA-5B	5	19-13/16"	14-1/16"	\$2,570.00
HA-6B	6	19-13/16"	14-1/16"	\$2,742.00



4058-4BIM

POLISHED CHROME ILLUMINATED HAVANA TOWER

Features an all metal, polished chrome finish with 3, 4, 5 and 6 faucets. Includes NSF Listed 630SS Forward Sealing Faucets.

Polished Chrome Illuminated Havana Tower				
Part No.	No. of Faucets	Overall Height	Faucet Height	List Price
HA-3BIM	3	19-13/16"	14-1/16"	\$2,604.00
HA-4BIM	4	19-13/16"	14-1/16"	\$2,965.00
HA-5BIM	5	19-13/16"	14-1/16"	\$3,567.00
HA-6BIM	6	19-13/16"	14-1/16"	\$3,999.00



SERVICE STATION DROP IN DRAINERS

Service Station Drop in Drainers provide a flush mounted, draining, stainless steel work surface. Designed for installation into a cut-out opening in the bar.

12" Service Station Drop In Drainers

Part No.	Overall Dimensions	List Price
RDP12x24	12" x 24"	\$ 399.00
RDP12x30	12" x 30"	\$ 450.00
RDP12x36	12" x 36"	\$ 502.00
RDP12x42	12" x 42"	\$ 553.00
RDP12x48	12" x 48"	\$ 606.00

18" Service Station Drop In Drainers

Part No.	Overall Dimensions	List Price
RDP18x24	18" x 24"	\$ 502.00
RDP18x30	18" x 30"	\$ 580.00
RDP18x36	18" x 36"	\$ 658.00
RDP18x42	18" x 42"	\$ 735.00
RDP18x48	18" x 48"	\$ 813.00



No. C18635A

DRIP PANS

Equipped with a four inch, 1/2" O.D. drain socket and a removable glass rack.

Top Mounted Drip Pans - Stainless Steel

Part No.	Width x Length	List Price
C18635A	7-3/4" x 8-3/4"	\$ 190.00
C18640A	7-3/4" x 14-3/16"	\$ 214.00
C18645A	7-3/4" x 20-3/4"	\$ 240.00
C18650A	7-3/4" x 26-3/4"	\$ 306.00
C18655	7-3/4" x 33"	\$ 313.00
C18660	7-3/4" x 46-9/16"	\$ 418.00
C18663	7-3/4" x 52-7/16"	\$ 451.00
C18665	7-3/4" x 59-3/4"	\$ 501.00

Top Mounted Drip Pans - Tarnished-free Polished Brass

Part No.	Width x Length	List Price
C18635ATF	7-3/4" x 8-3/4"	\$ 433.00
C18640ATF	7-3/4" x 14-3/4"	\$ 456.00
C18645ATF	7-3/4" x 20-3/4"	\$ 478.00
C18650ATF	7-3/4" x 26-3/4"	\$ 698.00
C18655TF	7-3/4" x 33"	\$ 723.00



No. 57120

ANGLED DRIP PANS

Part No.	Description	Length	Width	List Price
57120	Stainless steel	19-1/4"	6-1/2"	\$ 386.00
57120TF	Tarnish-free brass	19-1/4"	6-1/2"	\$ 625.00

Note: Not for use with 6 faucet Gambrinus.



No. 5020

Top Mounted Drip Pans - Stainless Steel

Part No.	Width x Length	List Price
5015	4-7/8" x 5-3/8"	\$ 200.00
5020	4-7/8" x 13-3/4"	\$ 208.00
5025	4-7/8" x 19"	\$ 220.00
5028	4-7/8" x 24"	\$ 240.00
5030	4-7/8" x 37"	\$ 319.00
5124	7-7/16" x 40-1/16"	\$ 368.00
5034	4-15/16" x 47-1/16"	\$ 410.00
5130	7-7/16" x 48-5/8"	\$ 421.00
5036	4-15/16" x 59-7/8"	\$ 499.00

Top Mounted Drip Pans - Tarnished-free Polished Brass

Part No.	Width x Length	List Price
5015TF	4-7/8" x 5-3/8"	\$ 360.00
5020TF	4-7/8" x 13-3/4"	\$ 382.00
5025TF	4-7/8" x 19"	\$ 417.00
5028TF	4-7/8" x 24"	\$ 504.00
5030TF	4-7/8" x 37"	\$ 768.00



No. C21379A

Recessed Drip Pans - Stainless Steel

Part No.	Width x Length	List Price
C11988A	7-5/8" x 8-5/16"	\$ 188.00
C21379A	7-5/8" x 14-1/16"	\$ 221.00
C32257	7-5/8" x 20-5/8"	\$ 253.00
C32357	5-1/8" x 19-1/4"	\$ 251.00
58979	5-1/8" x 37-5/16"	\$ 326.00
69324	7-3/4" x 46-1/2"	\$ 521.00
69327	7-3/4" x 59-5/8"	\$ 577.00
69330	5-3/16" x 47-5/16"	\$ 499.00
69333	5-3/16" x 60-1/8"	\$ 549.00

Recessed Drip Pans - Tarnished-free Polished Brass

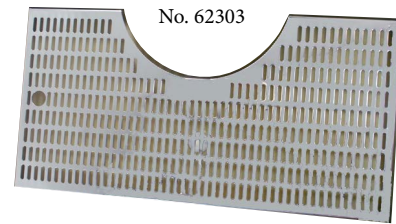
Part No	Width x Length	List Price
C11988ATF	7-5/8" x 8-5/16"	\$ 438.00
C21379ATF	7-5/8" x 14-1/16"	\$ 478.00
C32257TF	7-5/8" x 20-5/8"	\$ 613.00
C32357TF	5-1/8" x 19-1/4"	\$ 519.00
58979TF	5-1/8" x 37-5/16"	\$ 780.00



No. 670

WALL MOUNTED DRIP PANS FOR 670 SERIES

Part No.	Description	Faucet Centers	List Price
670	0 Holes	—	\$ 310.00
670-2	2 Holes	—	\$ 378.00
670-3	3 Holes	6"	\$ 410.00
670-4	4 Holes	4"	\$ 442.00
670-5	5 Holes	3"	\$ 475.00
670-6	6 Holes	2-3/4"	\$ 510.00



No. 62303

CUTOUT DRIP PANS

Part No.	Head Type	Head Diameter	Length	Width	List Price
62303	Brass Roma, Gambrius	8-1/2"	19-3/4"	10"	\$ 459.00
62303SS	Stainless steel Roma, Gambrius	8-1/2"	19-3/4"	10"	\$ 590.00
62304	Brass Torino	10"	19-3/4"	10"	\$ 590.00



No. 6030-GRC

Top Mounted Drip Pans with Glass Rinser on Center - Stainless Steel

Part No.	Width x Length	List Price
6020-GRC	7-3/4" x 15"	\$ 470.00
6025-GRC	7-3/4" x 20-3/4"	\$ 490.00
6030-GRC	7-3/4" x 24"	\$ 530.00
6035-GRC	7-3/4" x 28"	\$ 550.00
6040-GRC	7-3/4" x 37"	\$ 580.00
6045-GRC	7-3/4" x 42"	\$ 590.00
6050-GRC	7-3/4" x 48"	\$ 620.00



No. 3713



No. 3713-1



No. C18650A-GRC

Top Mounted Drip Pans with Glass Rinser on Center - Stainless Steel

Part No.	Width x Length	List Price
C18640A-GRC	7-3/4" x 14-3/16"	\$ 444.00
C18645A-GRC	7-3/4" x 20-3/4"	\$ 470.00
C18650A-GRC	7-3/4" x 26-3/4"	\$ 536.00
C18655-GRC	7-3/4" x 33"	\$ 543.00
C18658-GRC	7-3/4" x 39"	\$ 590.00
C18660-GRC	7-3/4" x 46-9/16"	\$ 648.00
C18665-GRC	7-3/4" x 59-3/4"	\$ 751.00
C18670-GRC	7-3/4" x 66"	\$ 815.00
C18675-GRC	7-3/4" x 72"	\$ 850.00



No. C18650A-GRE

UNDERBAR DRIP PANS FOR SPACESAVER HEADS

Part No.	Description	List Price
3713	13" Drip pan w/skirt	\$ 848
3713-1	13" Drip pan only	\$ 482
3721	21" Drip pan w/skirt	\$ 885
3721-1	21" Drip pan only	\$ 545

Top Mounted Drip Pans with Glass Rinser on End - Stainless Steel

Part No.	Width x Length	List Price
C18640A-GRE	7-3/4" x 14-3/16"	\$ 444.00
C18645A-GRE	7-3/4" x 20-3/4"	\$ 470.00
C18650A-GRE	7-3/4" x 26-3/4"	\$ 536.00
C18657-GRE	7-3/4" x 36"	\$ 560.00
C18663-GRE	7-3/4" x 52-7/16"	\$ 726.00



GLASS RINSER WITH DRAINER

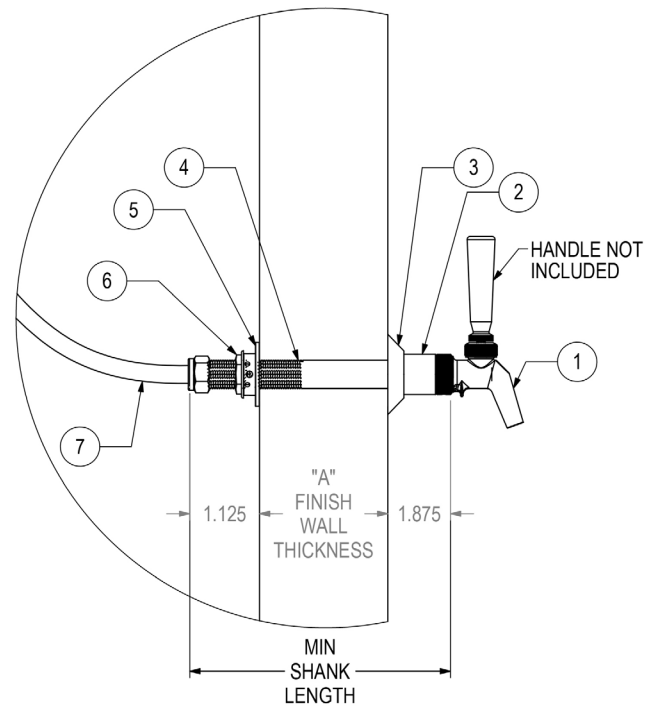
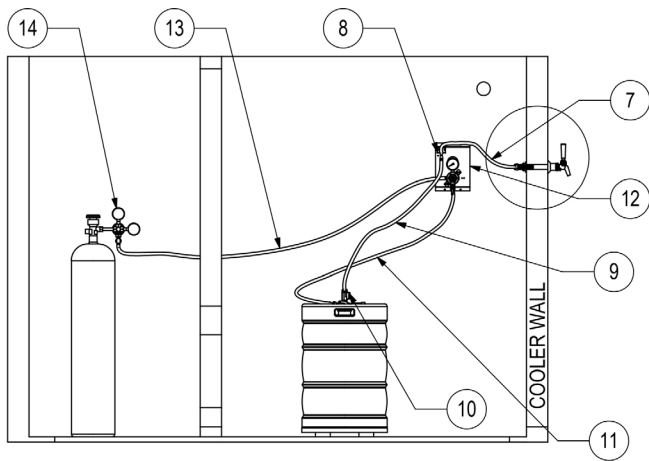
Part No.	Description	Width	Length	List Price
C18000GR	Top Mount Bevel Edge Drainer	7-5/8"	7-5/8"	\$ 413.00
5000GR	Top Mount Straight Edge Drainer	7-5/8"	7-5/8"	\$ 429.00
67971GR	Recessed Drain	7-5/8"	7-5/8"	\$ 413.00

COOLER TAPPING KITS

Dispensing Beer through the Cooler Wall

Perlick Cooler Tapping Kits contain all of the components needed to install air-cooled, through-the-wall beverage dispensing. Select a kit based on the cooler wall thickness and the number of faucets needed.

- Faucets and shanks chilled by Walk-in Cooler.
- For tapping most domestic and import beers using straight CO₂.



IMPORTANT: Regulator Panels (12) must be located within 4 feet of the beer shank. Beer Key (4) must be located within 5 feet of regulator panel.

Each Kit Contains:

Item	Part No.	Quantity	Description
1	630SS	1 per faucet	Faucet, SS, Forward Sealing
2	858D20	1 per faucet	Shank Cover, Chrome
3	Std. w/Shank	1 per faucet	Wall Flange, Black
4	63799-XX	1 per faucet	Shank Assembly, Chrome
5	68601-1	1 per faucet	Locking Flange for Shank
6	134D	1 per faucet	Lock Nut
7	532TR	1 per faucet	3/16" ID Beverage Line, Vinyl
8	512A2	1 per faucet	Wall Bracket, Chrome
9	554TR	1 per faucet	3/8" ID Beverage Line, Vinyl
10	36000G	1 per faucet	Keg Coupler, Chrome
11	1392R	6 ft/fct	5/16" I.D. Red Air Line
12	2617xF	varies	Regulator Panel
13	C14230B1	20 ft	3/8" ID Reinforced Poly Tube
14	2928F	1	Primary CO ₂ regulator, 50 psig max.

Note: Total Wall Thickness "A", must include all materials such as drywall, stone, brick, etc.

COOLER TAPPING KITS

Dispensing Beer through the Cooler Wall

0" to 1" Wall Thickness (4" Shank Length Minimum)

Part No	No. of Faucets	List Price
70027-4-1	1	\$ 669.00
70027-4-2	2	\$ 1,093.00
70027-4-3	3	\$ 1,548.00
70027-4-4	4	\$ 1,961.00
70027-4-5	5	\$ 2,483.00
70027-4-6	6	\$ 2,938.00
70027-4-7	7	\$ 3,351.00
70027-4-8	8	\$ 3,764.00
70027-4-9	9	\$ 4,320.00
70027-4-10	10	\$ 4,733.00

1" to 3" Wall Thickness (6" Shank Length Minimum)

Part No	No. of Faucets	List Price
70027-6-1	1	\$ 681.00
70027-6-2	2	\$ 1,118.00
70027-6-3	3	\$ 1,585.00
70027-6-4	4	\$ 2,010.00
70027-6-5	5	\$ 2,544.00
70027-6-6	6	\$ 3,011.00
70027-6-7	7	\$ 3,436.00
70027-6-8	8	\$ 3,861.00
70027-6-9	9	\$ 4,429.00
70027-6-10	10	\$ 4,855.00

3" to 5" Wall Thickness (8" Shank Length Minimum)

Part No	No. of Faucets	List Price
70027-8-1	1	\$ 694.00
70027-8-2	2	\$ 1,143.00
70027-8-3	3	\$ 1,623.00
70027-8-4	4	\$ 2,061.00
70027-8-5	5	\$ 2,607.00
70027-8-6	6	\$ 3,087.00
70027-8-7	7	\$ 3,525.00
70027-8-8	8	\$ 3,963.00
70027-8-9	9	\$ 4,544.00
70027-8-10	10	\$ 4,982.00

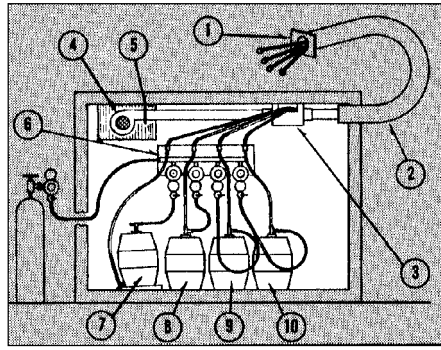
5" to 7" Wall Thickness (10" Shank Length Minimum)

Part No	No. of Faucets	List Price
70027-10-1	1	\$ 715.00
70027-10-2	2	\$ 1,185.00
70027-10-3	3	\$ 1,685.00
70027-10-4	4	\$ 2,144.00
70027-10-5	5	\$ 2,711.00
70027-10-6	6	\$ 3,212.00
70027-10-7	7	\$ 3,671.00
70027-10-8	8	\$ 4,129.00
70027-10-9	9	\$ 4,731.00
70027-10-10	10	\$ 5,190.00

7" to 9" Wall Thickness (12" Shank Length Minimum)

Part No	No. of Faucets	List Price
70027-12-1	1	\$ 718.00
70027-12-2	2	\$ 1,190.00
70027-12-3	3	\$ 1,694.00
70027-12-4	4	\$ 2,156.00
70027-12-5	5	\$ 2,726.00
70027-12-6	6	\$ 3,229.00
70027-12-7	7	\$ 3,691.00
70027-12-8	8	\$ 4,153.00
70027-12-9	9	\$ 4,757.00
70027-12-10	10	\$ 5,219.00

Air-cooled beer system efficiency depends on temperature. It is important to use the cooler for beer storage only so that a consistent temperature between 34° and 38° F. can be maintained. The maximum recommended length is 25 feet requiring 1,000 BTU/hr. of additional refrigeration capacity.

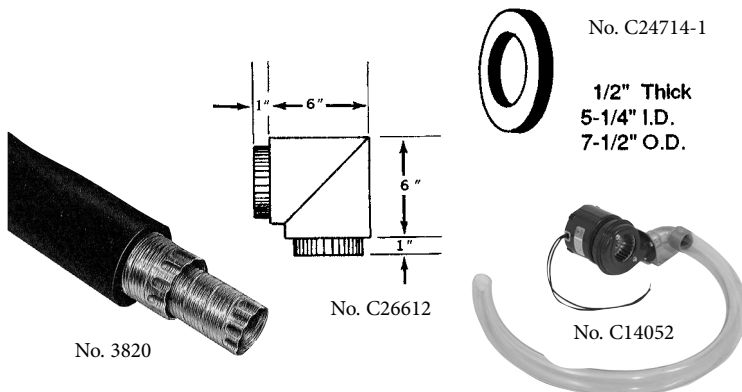


Air shafts are available from Perlick in 12 foot lengths, 5-1/2" O.D., insulated at the factory and consist of a tube within a tube. They can be easily installed in the field using the below Listed parts. For systems that are six feet or less, see "Thru-the-Wall Air Shafts" Listed below. For dispensing heads and drainers, see pages. 31 and 32.

DUAL DUCT AIR SHAFTS AND ACCESSORIES

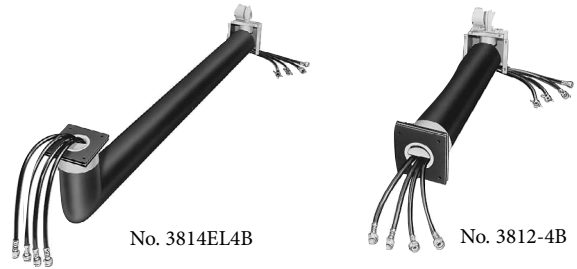
Item No.	Part No.	Description	List Price
1	C23907	Mounting collar for dispensing head	\$ 117.00
2	3820*	Dual air shaft (12 foot section)	\$ 582.00
3	C26609	Wall-mounted air duct connector assy.	\$ 240.00
4	1655R	Blower	\$ 463.00
5	C16817A1	Blower hanger bracket (2 required)	\$ 73.00
	C15366-1	1 Line coupler for 3" hose sections	\$ 14.00
	C24459-1	1 Line coupler for 4-1/2" outer hose sections	\$ 155.00
	C15365-1	3" Hose to duct air from cooler blower to dual hose air shaft (12 feet long)	\$ 48.00
	C15394	2" Waterproof tape (18 foot roll)	\$ 11.00
	C15392	Adhesive for insulated outer tube	\$ 20.00
	C24715A	3" Hose adapter for 1655R blower	\$ 70.00
	C26612	90° Insulating elbow	\$ 146.00
	C24714-1	Sealing gasket w/adhesive back	\$ 6.70

*Beverage lines not included.



THRU-THE-WALL AIR SHAFTS For installations up to 6 feet long

A full line of air shafts is available for short run installations up to six feet long, complete with a mounting collar for the dispensing head, 15 CFM blower and bracket and balanced beverage lines. Prices reflect six foot lengths. Shafts under two feet long are equipped with 3/16" I.D. beverage lines four feet long. All other shafts are furnished with balanced connectors nine feet long that can be cut off and sized on the job site.



AIR SHAFTS FOR WALL-MOUNTED DISPENSING HEADS

Part No.	Description	List Price
3812-1B	1 Beverage line	\$ 784.00
3812-2B	2 Beverage lines	\$ 840.00
3812-3B	3 Beverage lines	\$ 894.00
3812-4B	4 Beverage lines	\$ 905.00
3812-5B	5 Beverage lines	\$ 971.00

AIR SHAFTS FOR COUNTER-MOUNTED DISPENSING HEADS

Part No.	Description	List Price
3814EL1B	1 Beverage line	\$ 940.00
3814EL2B	2 Beverage lines	\$ 988.00
3814EL3B	3 Beverage lines	\$ 1,051.00
3814EL4B	4 Beverage lines	\$ 1,092.00
3814EL5B	5 Beverage lines	\$ 1,144.00

BLOWER KIT

Part No.	Description	List Price
C14052	Blower kit	\$ 278.00
C14039	12CFM Blower (only)	\$ 204.00
C14043	Elbow adapter assembly	\$ 63.00
C22308	3' x 1-1/8" I.D. tubing	\$ 2.70

FOR PERLICK DISPENSING TOWER BRAND MEDALLIONS - 80MM SIZE



AB/INBEV BRANDS

#	Part No.	Tubing I.D.	List Price
1	67243-7	Budweiser	\$ 21.00
2	67243-6	Bud Light	\$ 21.00
3	67243-5	Bud Light Lime	\$ 21.00
4	67243-8	Busch	\$ 21.00
5	67243-12	Michelob	\$ 21.00
6	67243-35	Michelob Light	\$ 21.00
7	67243-13	Michelob Ultra	\$ 21.00
8	67243-11	Michelob Amber Bock	\$ 21.00
9	67243-1	American Ale	\$ 21.00
10	67243-2	Bass	\$ 21.00
11	67243-3	Becks	\$ 21.00
12	67243-4	Boddingtons	\$ 21.00
13	67243-9	Hoegaarden	\$ 21.00
14	67243-10	Lowenbrau	\$ 21.00
15	67243-14	Stella	\$ 21.00

MILLERCOORS BRAND

#	Part No.	Tubing I.D.	List Price
16	67243-21	Coors Light	\$ 21.00
17	67243-22	Coors Banquet	\$ 21.00
18	67243-24	George Killian's	\$ 21.00
19	67243-30	Molson Canada	\$ 21.00
20	67243-20	Blue Moon	\$ 21.00
21	67243-29	Miller Light	\$ 21.00
22	67243-27	Miller Genuine Draft	\$ 21.00
23	67243-28	Miller High Life	\$ 21.00
24	67243-26	MGD 64	\$ 21.00
25	67243-25	Ice House	\$ 21.00
26	67243-23	Fosters	\$ 21.00

HEINEKEN BRAND

#	Part No.	Tubing I.D.	List Price
27	67243-19	Heineken	\$ 21.00
28	67243-18	Heineken Light	\$ 21.00
29	67243-15	Amstel Light	\$ 21.00
30	67243-33	Tecate	\$ 21.00
31	67243-17	Dos Equis Lager	\$ 21.00
32	67243-16	Dos Equis Ambar	\$ 21.00
33	67243-31	Newcastle Brown Ale	\$ 21.00
34	67243-32	Newcastle Summer Ale	\$ 21.00
35	67243-34	Clear	\$ 21.00

WINEcertified is Perlick's guarantee that all Perlick products and their components are manufactured to properly store and dispense wine. See below for the Wine Certified standards for wine dispensing.

A Sanitary 304 Stainless Steel Faucet

- Made entirely of Sanitary 304 Stainless Steel
- Ideal option for wine and other high-acidity beverages because 304 Stainless Steel will have no effect on flavor

B Sanitary 304 Stainless Steel Shank

- Designed so that wine only comes in contact with Sanitary 304 Stainless Steel
- Recommended for use with 1/4" I.D. Flavor-Lock Tubing

C Flavor-Lock Tubing

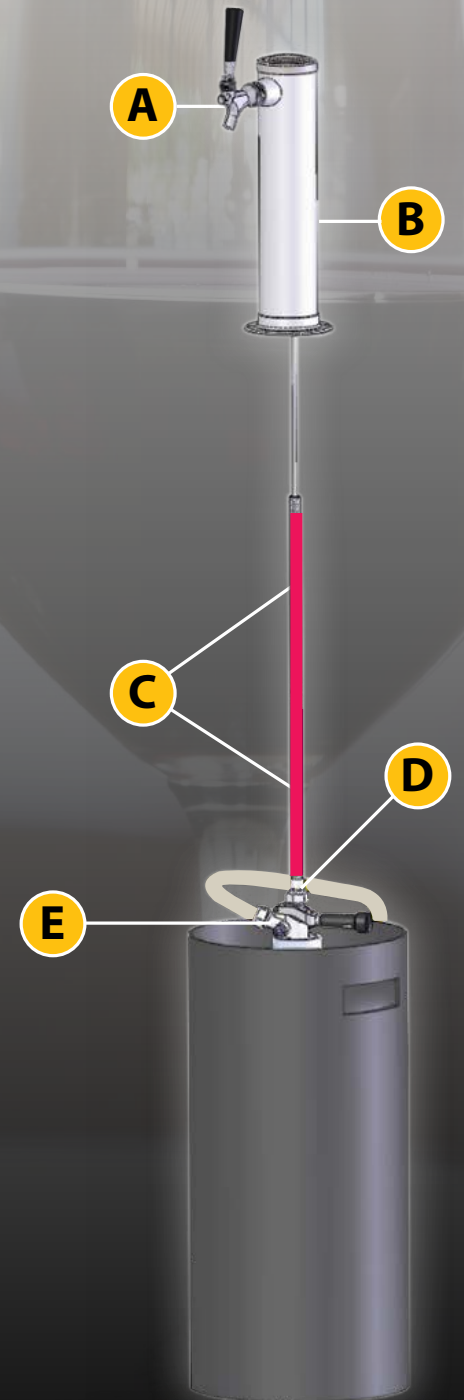
- Exceptional gas retention; No permeation of gas or strong flavors from inside or outside the tube
- Prevents oxygen from entering the tubing, which can give wine an "off-taste"
- Construction reduces bacteria growth

D Sanitary 304 Stainless Steel Union

- Made entirely of Sanitary 304 Stainless Steel
- Joins two ends of Flavor-Lock Tubing and creates an air-tight seal to prevent oxygen from entering and changing the wines flavor profile

E Keg Coupler with Sanitary 304 Stainless Steel Probe

- Probe made entirely of Sanitary 304 Stainless Steel
- Accepts Nitrogen, Argon and blended gases





WINE CERTIFIED TAPPING COMPONENTS

Part No.	Description	List Price
67740	Tubing, Flavorloc, 1/4" I.D.	\$ 2.16/ft.
67747	Coupler, Keg, Lever Handle 304SS Probe	\$ 107.70/ea
67748	Tailpiece for 1/4" I.D., 304SS, Serrated	\$ 10.66/ea
67750	Connector, Wine, 1/4" I.D. x 5' long, Cleveland Connector (1 end)	\$ 35.18/ea
67754	Union, 1/4" x 1/4", 304SS, Serrated	\$ 4.16/ea



STAINLESS STEEL FAUCETS

Part No.	Description	List Price 1 - 24	25 - over
630SS	Faucet, 304SS Forward Sealing	\$ 77.00	\$ 73.00



Tee Tower
(5 faucet, *shown*)

Draft Arm
(2 faucet, *shown*)



Lucky Tower
(2 faucet, *shown*)

Panther Arm
(3 faucet, *shown*)

WINE CERTIFIED DISPENSING HEADS

Part No.	Description	List Price
858-304SS	Draft Arm, Air-Cooled, 1 Fct, 304SS Fct, Polished Chrome Finish	\$ 386
858D-304SS	Draft Arm, Air-Cooled, 2 Fct, 304SS Fct, Polished Chrome Finish	\$ 639
3722-304SS	Draft Arm, Air-Cooled, 3 Fct, 304SS Fct, Polished Chrome Finish	\$ 1,008
3780-2W-304SS	Tee Tower, Air-Cooled, 2 Fct, 304SS Fct, Stainless Steel Finish	\$ 737
3780-3W-304SS	Tee Tower, Air-Cooled, 3 Fct, 304SS Fct, Stainless Steel Finish	\$ 848
3780-4W-304SS	Tee Tower, Air-Cooled, 4 Fct, 304SS Fct, Stainless Steel Finish	\$ 1,048
3780-5W-304SS	Tee Tower, Air-Cooled, 5 Fct, 304SS Fct, Stainless Steel Finish	\$ 1,247
3890-1B-304SS	Lucky Tower, Air-Cooled, 1 Fct, 304SS Fct, Polished Chrome Finish	\$ 1,022
3890-2B-304SS	Lucky Tower, Air-Cooled, 2 Fct, 304SS Fct, Polished Chrome Finish	\$ 1,298
3895-3B-304SS	Panther Tower, Air-Cooled, 3 Fct, 304SS Fct, Polished Chrome Finish	\$ 1,977
3895-4B-304SS	Panther Tower, Air-Cooled, 4 Fct, 304SS Fct, Polished Chrome Finish	\$ 2,171



FAUCETS, SHANKS & FAUCET ACCESSORIES

Forward Sealing Beer and Wine Faucets	34
Polished-Chrome & Tarnish-Free Brass Faucets	35
Imported Stout and Ale Faucet	35
Faucet Replacement Parts - 425 Series	36
Faucet Replacement Parts - 525 & 575 Series	36
Faucet Shanks & Faucet Accessories	37
Wall Mount Cam Level FOB Detector	38



No. 630SS



No. 650SS

With forward sealing faucets, you'll never look back.

Perlick's NEW 304 stainless steel, forward sealing beer and wine faucets are unique in both appearance and function. A revolutionary ball and floating front seal design prevents beer from being exposed to air. As a result, the handle lever doesn't stick, and there is no build up of mold and bacteria in the faucet body. Fewer internal parts means better reliability and fewer service calls.



630SS

630 SERIES FORWARD SEALING BEER AND WINE FAUCET

The new 630SS 304 stainless steel, forward sealing faucet provides a perfect pour every time. Easy to clean – may be cleaned in place – Saves time and money.

Beer and Wine Faucets

Part No.	Description	List Price 1-24	List Price 25-Over
630PC	Polished Chrome Faucet	\$ 40.90	\$ 39.40
630SS	Stainless Steel Faucet	\$ 77.00	\$ 73.00
630SSTF	Stainless Steel Faucet with Tamish Free Brass Exterior	\$ 83.40	\$ 80.50

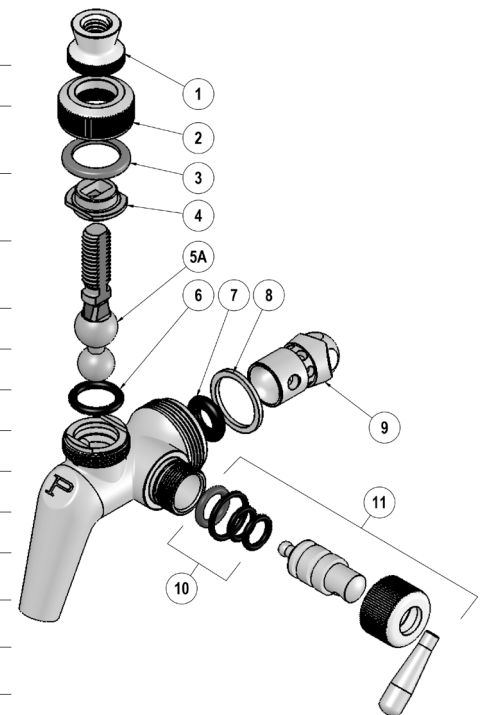


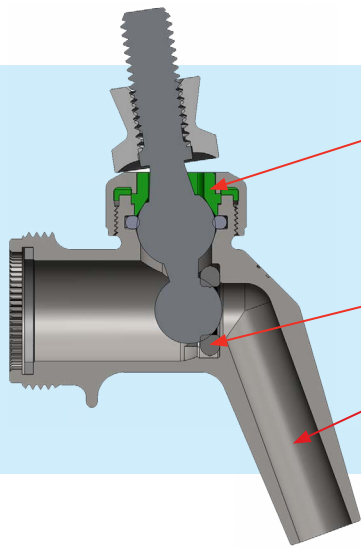
630PC

REPLACEMENT PARTS - 630 SERIES FORWARD SEALING BEER FAUCET

Faucet Replacement Parts

Item	630	680	650	690	Description	List Price 1-24	List Price 25-Over
1	67829-1	67829-1	67829-1	67829-1	Handle Jacket, Chrome	\$ 7.10	\$ 6.40
	67829-1TF	N/A	N/A	N/A	Handle Jacket, Tamish Free	\$ 14.10	\$ 12.70
2	67820-1	67820-1	67820-1	67820-1	Compression Bonnet, Chrome	\$ 4.60	\$ 4.10
	67820-1TF	N/A	N/A	N/A	Compression Bonnet, Tamish Free	\$ 11.60	\$ 10.50
3	67828-1	67828-1	67828-1	67828-1	O-Ring, Compression	\$ 0.42	\$ 0.38
4	67819-2	67819-2	67819-2	67819-2	Bearing Cup	\$ 3.20	\$ 2.90
5A	68726	N/A	68726-1	N/A	Handle Lever	\$ 23.40	\$ 18.60
6	67830-1	67830-1	67830-1	67830-1	O-Ring, Pivot Ball	\$ 0.90	\$ 0.80
7	67933-1	67933-1	67933-1	67933-1	O-Ring, Front Seat	\$ 0.33	\$ 0.30
8	308-3-2P	308-3-2P	308-3-2P	308-3-2P	Coupling Gasket	\$ 0.55	\$ 0.49
9	N/A	N/A	68206-1	68206-1	Flow Control: Compensator	\$ 8.50	\$ 7.70
10	N/A	N/A	67989SK	67989SK	Flow Control: Seal Kit	\$ 4.60	\$ 4.10
11	N/A	N/A	67989LK	67989LK	Flow Control: Lever & Seal Kit	\$ 20.60	\$ 18.60





1. Bearing Cup/follower - Supports the o-ring to maintain a positive seal and provide smooth tracking of the handle.
2. 304 sanitary stainless steel for all parts that contact product. Protects flavor of beer or wine.
3. Floating Front Seat - Features a contoured profile to provide enhanced surface contact for a positive seal.
4. Spout angle is more vertical - provides for better pour and draining. Drop off begins just beyond O-ring - no flat area for beer to collect.



650 SERIES FORWARD SEALING FLOW CONTROL FAUCET

In addition Perlick exclusive forward sealing design features, the 650SS Forward Sealing Flow Control Faucet features a flow compensator. The flow compensator provides more control because by adjusting the flow control handle, you can adjust the restriction for hard to pour brands. You can also adjust the flow control handle to slow the flow for pouring sampler glasses, flights or growlers as well as to reduce the amount of foam when pouring into a frosted glass.

Part No.	Description	List Price 1-24	List Price 25-Over
650SS	Stainless Steel Flow Control	\$ 95.80	\$ 92.60
690SS	Stainless Steel Flow Control with Push-back Creamer	\$ 110.20	\$ 106.50



680 SERIES FORWARD SEALING FAUCET WITH PUSH-BACK CREAMER

The 680SS push-back creamer faucet enables the operator to pour the precise amount of foam every time. Pushing the handle back moves a stainless steel piston, exposing small holes. The turbulence created by beer passing through the holes produces a creamy head. When the handle is released, an internal compression spring moves the piston back, stopping the flow of beer.

Part No.	Description	List Price 1-24	List Price 25-Over
680SS	Stainless Steel Faucet with Push-back Creamer	\$ 82.60	\$ 78.20

The most sanitary beer and wine faucet ever!



POLISHED-CHROME & TARNISH-FREE POLISHED BRASS FAUCETS

Throw away your brass polish. Perlick tarnish-free polished brass faucets stay looking like new without tedious polishing. All Perlick beer faucets are designed to be the best faucets available on the market today. And they're made in the USA.

- Smooth bore spout and interior to reduce foaming.
- Teflon friction ring for smooth, easy operation
- Brass or stainless lever handle.
- Available in polished chrome or tarnish-free brass
- Furnished less knob, packed one to a carton.
- Shipping Weight: 8 oz.

Beer Faucets		List Price	
Part No.	Description	1-24	25-Over
408X	Polished chrome w/brass lever handle	\$ 45.50	\$ 44.00
408XTF	Tarnish-free brass w/brass lever handle	\$ 66.70	\$ 65.50
410X	Polished chrome w/st. st. lever handle	\$ 50.20	\$ 47.70
410XTF	Tarnish-free brass w/st. st. lever handle	\$ 69.40	\$ 65.50

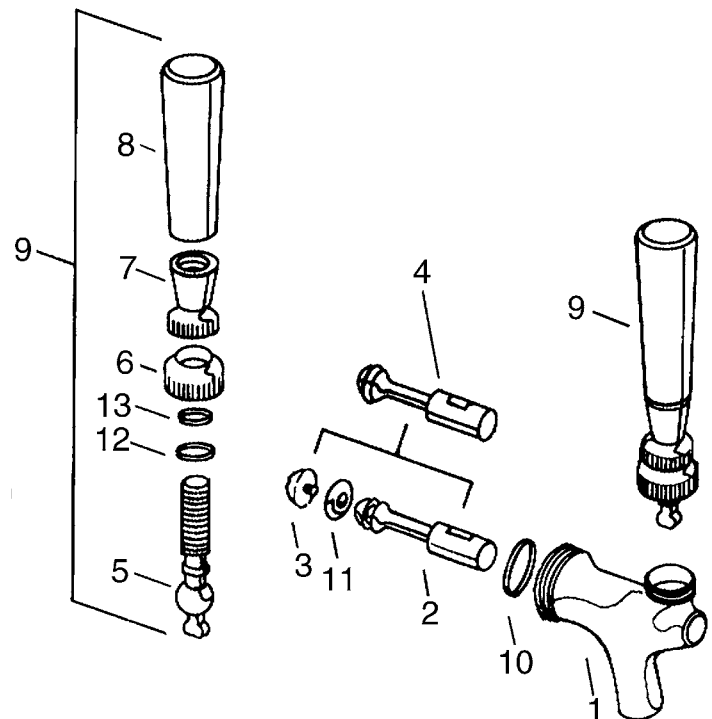
IMPORTED STOUT AND ALE FAUCET

Imported Stout & Ale Faucets		
Part No.	Description	List Price
63927	Stout & Ale Faucet - brass, chrome plated body with stainless steel spout	\$ 212.10
63928	Stout & Ale Faucet - brass, gold tone tarnish free body with stainless steel spout	\$ 212.10

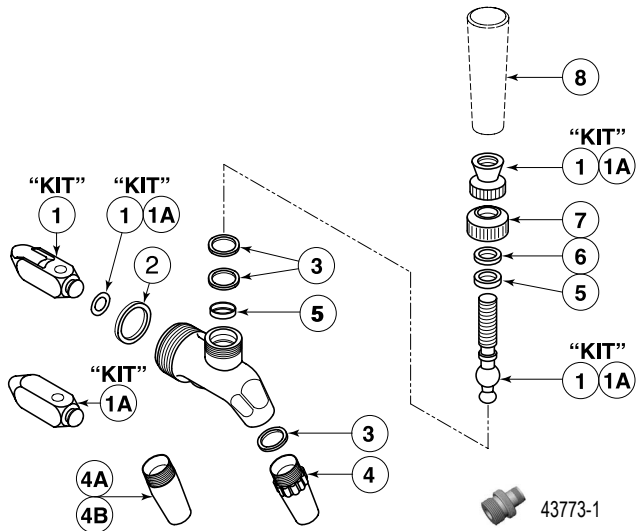
FAUCET REPLACEMENT PARTS - 408 AND 410 SERIES

Faucet Replacement Parts

Item	Part No.	Description	List Price 1-24	List Price 25-Over
1	308-1XLF	Faucet body	\$ 46.70	\$ 43.50
2	408-2A	Shaft	\$ 14.20	\$ 13.00
3	308-10N	Screw	\$ 2.50	\$ 1.70
4	43473-26	Shaft assembly	\$ 15.70	\$ 14.20
5	408-27	Handle lever (brass)	\$ 6.60	\$ 6.50
5	410-27	Handle lever (st. st.)	\$ 9.50	\$ 8.60
6	408-15	Compression Bonnet SS	\$ 4.80	\$ 4.30
	408-15PB	Compression Bonnet SS polished brass	\$ 4.90	\$ 4.50
	408-15TF	Compression Bonnet SS tarnish free	\$ 12.00	\$ 10.70
7	408-16	Collar	\$ 7.50	\$ 6.70
	408-16TF	Tarnish-free collar	\$ 14.60	\$ 11.70
8	308-38	Knob	\$ 4.50	\$ 3.80
9	408-25	Handle assy. for No. 408	\$ 24.90	\$ 23.20
10	308-3-2P	Coupling gasket	\$ 0.55	\$ 0.49
11	307-3-2P	Seat washer	\$ 0.80	\$ 0.50
12	308-55	Friction ring	\$ 0.80	\$ 0.30
13	307-8-2P	Bonnet washer	\$ 0.60	\$ 0.20



FAUCET REPLACEMENT PARTS — 425 SERIES

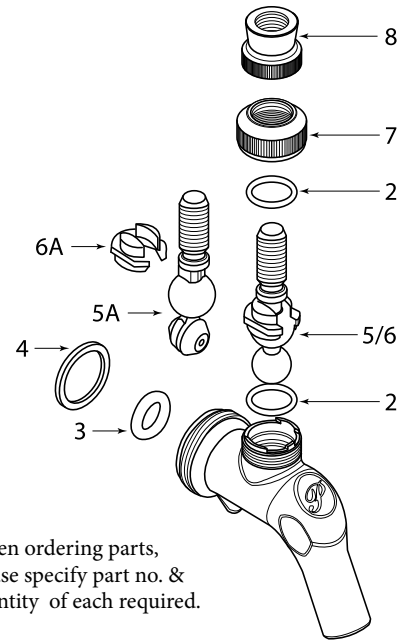


NOTE:
WHEN PURCHASING A KIT, USE
ALL KIT PARTS TO REPLACE
OLD EXISTING FAUCET PARTS.

425 Series Faucet Replacement Parts

Item	Part No.	Description	List Price 1-24	List Price 25-Over
1	43816	Kit with plastic shaft	\$ 20.10	---
1A	43816SS	Kit with SS shaft	\$ 29.30	---
1	43816TF	Kit with plastic shaft & TF brass handle jacket	\$ 26.00	---
1A	43816SSTF	Kit with SS shaft & TF brass handle jacket	\$ 35.90	---
2	308-3-2P	Coupling gasket	\$ 0.55	\$ 0.49
3	425-8	O-ring (3 places)	\$ 0.34	\$ 0.23
4	425-3A	Spout (plastic)	\$ 7.20	\$ 6.20
4A	425-3	Spout (SS)	\$ 10.60	\$ 9.20
4B	425-3TF	Spout (tarnish-free)	\$ 17.30	\$ 16.40
5	425-5	Bearing cups (2 places)	\$ 0.90	\$ 0.70
6	307-8-2P	BonList washer	\$ 0.60	\$ 0.20
7	408-15	BonList (chrome)	\$ 4.80	\$ 4.30
7	408-15TF	BonList (tarnish-free)	\$ 12.00	\$ 10.70
8	308-38	Knob (not Included)	\$ 4.50	\$ 3.80
	43773-1	Cleaning adapter	\$ 25.40	\$ 24.10

FAUCET REPLACEMENT PARTS — 525 & 575 SERIES



When ordering parts,
please specify part no. &
quantity of each required.

525 & 575 Series Replacement Parts

Item	Part No.	Faucet Style	Description	List Price 1-24	List Price 25-Over
2	425-8	525SS	"O" ring	\$ 0.34	\$ 0.23
3	43838	525SS	"O" ring seat	\$ 0.11	\$ 0.09
4	308-3-2P	525SS	Coupling gasket	\$ 0.55	\$ 0.49
5	68157-1	525SS	Handle lever	\$ 6.60	\$ 6.10
5A	67030A	575SS	Handle lever assembly	\$ 24.20	\$ 19.30
6	67382-1	525SS	Bearing cup	\$ 2.80	\$ 2.60
6A	67382-1	575SS	Bearing cup	\$ 2.80	\$ 2.60
7	67428-1 67428-2TF	525SS	Compression bonList chrome Tarnish-free compression bonList	\$ 1.50 \$ 3.20	\$ 1.40 \$ 3.00
8	408A-16 408A-16TF	525SS	Handle jacket chrome Tarnish-free handle Jacket	\$ 7.40 \$ 14.60	\$ 6.70 \$ 11.60

FAUCET SHANKS 1/4" I.D. BORE FOR 408/410/425 SERIES FAUCETS

No. 63799-6



Chrome Plate Brass

Part No.	Length	List Price
63799-3	3"	\$ 29.30
63799-4	4"	\$ 37.50
63799-6	6"	\$ 49.70
63799-8	8"	\$ 62.40
63799-10	10"	\$ 83.20
63799-12	12"	\$ 86.10

304 Stainless Steel

Part No.	Length	List Price
63799-3-304SS	3"	\$ 41.50
63799-4-304SS	4"	\$ 43.40
63799-5-304SS	5"	\$ 49.90
63799-6-304SS	6"	\$ 57.90
63799-8-304SS	8"	\$
63799-10-304SS	10"	\$
63799-12-304SS	12"	\$

JOHN GUEST FITTING FOR 5/16" TUBING

The body is produced in polypropylene with stainless steel teeth, quick and easy, and easy to use. Use for a reliable tight seal every time. Resistant to chemical degradation.

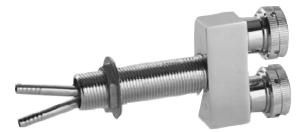
John Guest Fitting for 5/16" Tubing

Part No.	List Price
67554-76MM	\$ 60.80
68401JG-76MM	\$ 52.20

Shank Parts

Part No.	Description	List Price 1-24	List Price 25-Over
134D	Lock nut	\$ 3.40	\$ 3.20
307-14SS	Flange stainless steel	\$ 7.40	\$ 7.10
307-14TF	Flange tarnish-free brass	\$ 31.90	\$ 31.20
308-14	Coupling ferrule chrome	\$ 6.70	\$ 5.80
308-14TF	Coupling ferrule tarnish-free brass	\$ 12.20	\$ 11.40
308-8	Keeper ring	\$ 1.80	\$ 1.60
308-9	Keeper spring	\$ 1.40	\$ 1.30

DOUBLE FAUCET SHANKS



Part No.	Description	List Price
63795-2	2" Shank - chrome	\$ 187.00
63795-4	4" Shank - chrome	\$ 196.00
63795-6	6" Shank - chrome	\$ 201.00

SULLI PLUGS

Plastic plug tightly seals faucet when not in use. Nylon brush provides additional cleaning.



Part No.	Description	List Price
63929	Sulli Plugs	\$ 10.80

BEER FAUCET LOCK

Tamper-proof and extremely easy to install and remove, Perlick's chrome-plated beer faucet lock features brass tumbler, hardened steel locking hasp and locks that are keyed alike. For use with 630, 525 and 408 faucets.



No. 308-40C

Beer Faucet Lock

Part No.	Description	List Price - 1-24	List Price - 25-Over
C293A	Replacement key	\$ 4.30	\$ 3.40
308-40C	Beer faucet lock	\$ 81.00	\$ 77.00

BEER MECHANIC'S COMBINATION WRENCH



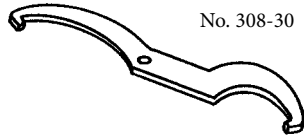
Six tools in one; screwdriver, 1/2" opening for locknut on regulator pressure adjusting screw, 3/4" opening for holding probe on keg coupler, 1" opening for coupling nuts, 11/16" opening for coupling nuts, and spanner end for faucets.

Part No.	Description	List Price 1-5	List Price 6-Over
40106	Combination wrench	\$ 31.90	\$ 30.50

BEER FAUCET ACCESSORIES



No. 22050-1



No. 308-30

Part No.	Description	List Price 1-24	List Price 25-Over
22050-1	Cleaning adapter	\$ 20.60	\$ 19.60
308-30	Spanner wrench	\$ 7.40	\$ 7.10



No. 68601-1

Locking Flange

Part No.	Description	List Price - 1-24	List Price - 25-Over
68601-1	Locking Flange	\$33.30	\$ 29.80

Replacement Shanks for Perlick Glycol Tee Towers & Spacesaver Towers

Part No.	Description	List Price
C27849	Chrome Shank Assembly	\$ 29.30
C27849PB	Brass Shank Assembly	\$ 28.10
C27849SS	Stainless Steel Shank Assembly	\$ 32.80

Replacement Shank for Perlick Gambrinus Mushroom Towers

Part No.	Description	List Price
C27859	Chrome Shank Assembly	\$ 32.80
C27859PB	Brass Shank Assembly	\$ 30.50
C27859SS	303 Stainless Steel Shank	\$ 35.50

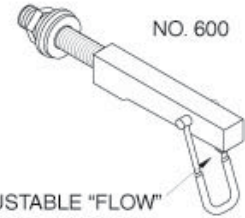


PERLICK FAUCET HANDLE

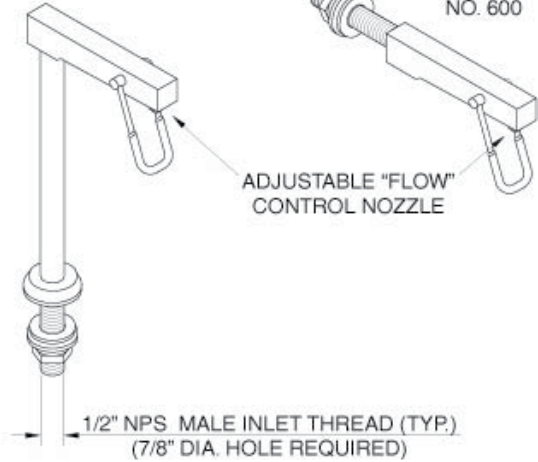
Black wooden handle

Part No.	Description	List Price
67141	Perlick Faucet Handle - 7-1/2"	\$ 69.00

NO. 602WS8



NO. 600



ADJUSTABLE "FLOW"
CONTROL NOZZLE

1/2" NPS MALE INLET THREAD (TYP.)
(7/8" DIA. HOLE REQUIRED)

PUSH-BACK WATER FAUCETS WITH FLOW CONTROL

Part No.	Description	List Price 1-5	List Price 6-Over
600	Faucet & shank for 2-1/2" wall	\$ 148.20	\$ 141.80
602WS8	Faucet and 8" stand	\$ 169.50	\$ 162.00

Water Faucet Repair Kit

Part No.	List Price
43724	\$ 92.70



GROWLER FILLER TUBE

Fills growler from the bottom to minimize agitation. Less foam, less pour off waste, less time to fill.

Part No.	Description	List Price 1-5	List Price 6-Over
GT600	Growler Filler Tube	\$ 14.90	\$ 14.20



No. 43844C



No. FEX0208



No. 43739AV

See page 60 for hardware.

WALL MOUNT CAM LEVER FOB DETECTOR

- Unique patented self sealing vent valve totally prevents accidental waste
- Construction is small, stable and user friendly
- Functioning is precise and consistent, from first to last pour of every keg
- Unique form of mechanical float valve ensures no waste with every keg

Wall Mount Cam Lever FOB Detector

Part No.	Description	List Price	20-39	40+
43844	Wall mount FOB detector	\$ 251.00	\$ 247.00	\$ 244.00
43844R	Wall mount FOB detector, outlet tube right	\$ 251.00	\$ 247.00	\$ 244.00
43844C	Wall mount FOB detector w/beer thread inlet & outlet	\$ 266.00	\$ 263.00	\$ 259.00
43844CR	Wall mount FOB detector w/beer thread inlet and outlet, outlet tube right	\$ 266.00	\$ 263.00	\$ 259.00

FEX Series

Part No.	Description	List Price	20-39	40+
FEX0208	FOB 304 Stainless Steel w/beer thread inlet and outlet	\$225.00	\$223.00	\$220.00

Replacement Parts

Part No.	Description	List Price
63897	Replacement top w/valve assembly	\$ 106.00
63898	Float and "O" ring	\$ 49.00
63899	"O" ring kit	\$ 49.00

VENTED UNIVERSAL EMPTY KEG SENSOR (EKS)

Shuts off beer when the keg empties, eliminating beer waste while changing kegs. The integral vent allows gas between the fresh keg and the EKS to be released. Minimizes foam waste at the tap and can be cleaned in either direction. Compact design allows for more thorough cleaning. More sanitary than competitor's FOBs. Designed for either keg or wall mounts.

Vented Universal Empty Keg Sensor (EKS)

Part No.	Description	List Price	20-39	40+
43739AV	5/8" Vented EKS	\$ 111.00	\$ 107.00	\$ 103.00



PP Series Power Pak

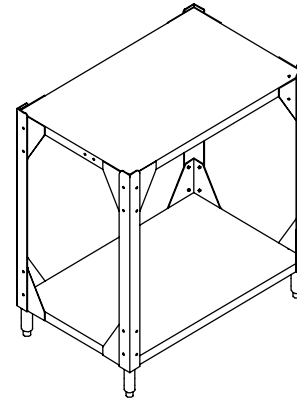
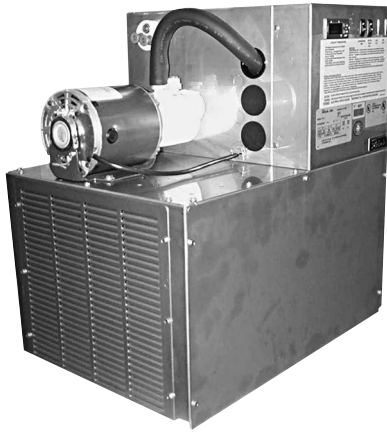
PP SERIES POWER PAKS

Furnished with a self-priming 70-gallon per hour glycol pump and galvanized exterior. Comes with a 6-foot cord.

PP Series Power Paks

Part No.	Description	List Price
PP50	1/5 HP capacity *50 ft.	\$ 2,520
PP150	1/3 HP capacity *125 ft.	\$ 3,182
PP300	1/2 HP capacity *250 ft.	\$ 3,557

*Based on 75° ambient



4400 SERIES POWER PAKS

Adjustable electronic temperature control w/digital read-out. Furnished with a self-priming, 70 gph glycol pump and stainless steel exterior. Cord kit furnished separately. Available with additional second pump.

4400 Series Power Paks

Part No.	Description	List Price
4404QC*	1/3 HP Power Pak - 125 ft. limit	\$ 3,562
4410QC*	1/2 HP Power Pak - 250 ft. limit	\$ 4,232
4410QC-2*	1/2 HP Power Pak - 2 pumps	\$ 5,025
4414QC*	3/4 HP Power Pak - 450 ft. limit	\$ 4,737
4414QC-2*	3/4 HP Power Pak - 2 pumps	\$ 5,548
4420QC*	1-1/2 HP Power Pak - 825 ft. limit (275 ft. limit per pump)	\$ 6,474
4420QC-2*	1-1/2 HP Power Pak - 2 pumps	\$ 7,327
4420QC-3*	1-1/2 HP Power Pak - 3 pumps	\$ 8,181

*Cord not included

GLYCOL

All PP Series Power Paks require 1-gallon for the bath and one additional gallon for every 85 ft. of trunk housing. All 4400 Series Power Paks require 2-gallons for the bath and one additional gallon for every 85 ft. of trunk housing.

Part No.	Description	List Price
63299-1	One gallon glycol premix (food Grade)	\$ 38.00

GLYCOL PUMP KITS FIELD INSTALLED (FOR 4400 SERIES)

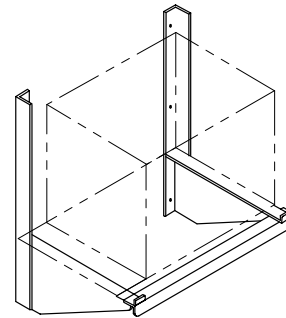
Pump kits are required when using multiple trunk housings.

Part No.	Description	List Price
4430QC	115V Pump kit for 4410QC Power Pak	\$ 737
4431QC	115V Pump kit for 4414QC Power Pak	\$ 755
4432QC	208-230V Pump kit for 4420QC Power Pak	\$ 798

POWER PAK STAND

Power Pak stand

Part No.	Description	List Price
C21499BSS	Stainless steel two tier rack	\$ 909



POWER PAK WALL MOUNTING BRACKET

Part No.	Description	List Price
WB08	For PP50, PP150 & PP300 Power Paks	\$ 236
4408SS	For 1/3 and 1/2 HP Power Paks	\$ 187

COOLANT KITS

Part No.	Description	List Price
C23015	Coolant Kit	\$ 100.00
C23015-1	Coolant Kit tubing (extra per additional foot)	\$ 11.00

MISCELLANEOUS POWER PAK ACCESSORIES FOR 4400 SERIES

Part No.	Description	List Price
61468	Overflow bottle kit	\$ 28.00
C22296A-20	Cord kit (20AMP Max.) excludes 4420 (For use with 1 pump models only.)	\$ 33.00
57782	Legs for 4400 Series Power Pak	\$ 145.00

TRUNK HOUSINGS

POLY COOLANT LINES

All product lines have a barrier to hold in CO₂ and keep out oxygen. All lines are taped to poly glycol lines, vapor sealed and insulated with 3/4" wall insulation. The exterior of the Trunk Housing bundle is wrapped with black PVC tape to protect the insulation and for ease of installation.

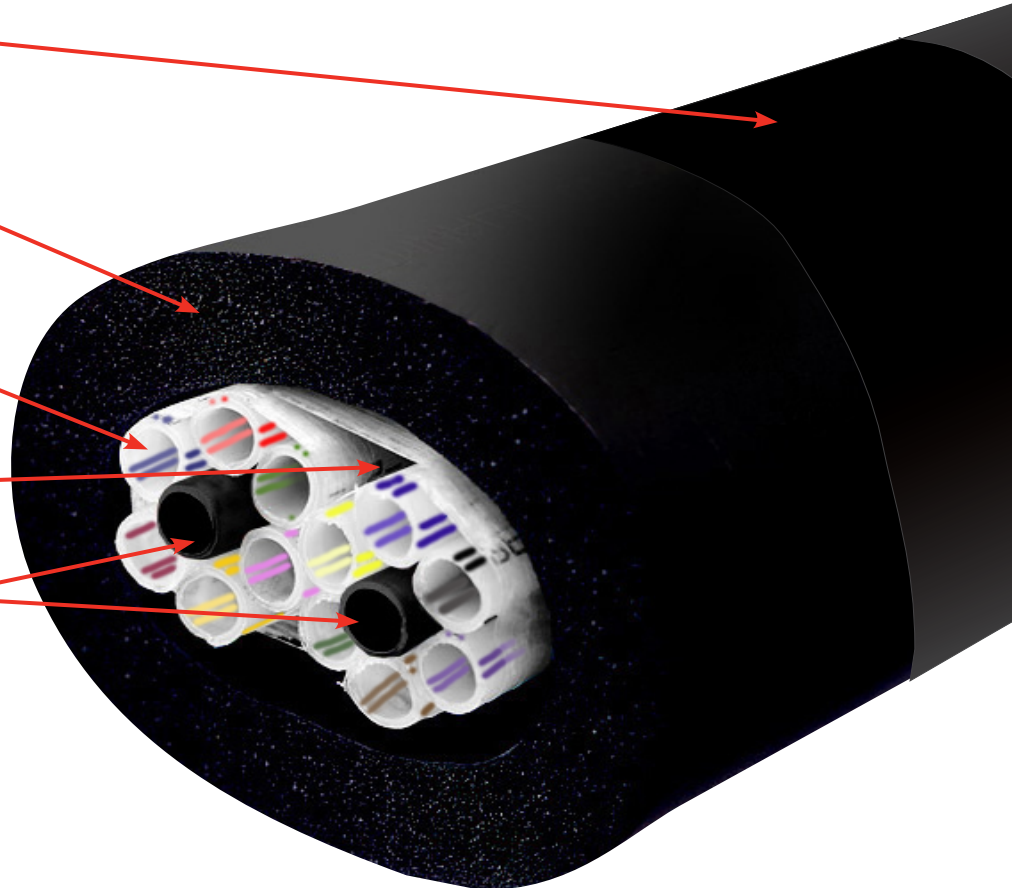
Tough PVC outer wrap

3/4" closed cell foam insulation

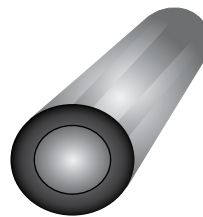
Color coded product lines.
3/8", 5/16" or 1/4"

Vapor sealed

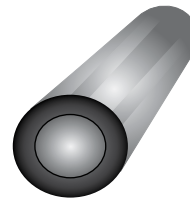
Two poly coolant lines directly
contact product lines for
maximum cooling.



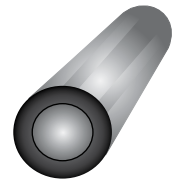
Technical Specifications		
Diameter	Restriction Per Foot	Beer volume per 50' (oz.)
3/8"	0.064	37.7
5/16"	0.144	26.73
1/4"	0.352	18.35



3/8"
diameter



5/16"
diameter



1/4"
diameter

AVAILABLE IN 3 SIZES:

Trunk Housings - 3/8" Beverage Barrier Tubing w/two 3/8" poly coolant lines

Part No.	Description	List Price Per Foot (50'-199')	List Price Per Foot (200'+)
4220P-2-1	2-Product lines - 2 glycol lines	\$ 13.40	\$ 12.90
4220P-4-1	4-Product lines - 2 glycol lines	\$ 15.60	\$ 14.90
4220P-5-1	5-Product lines - 2 glycol lines	\$ 17.50	\$ 16.80
4220P-6-1	6-Product lines - 2 glycol lines	\$ 19.40	\$ 18.50
4220P-8-1	8-Product lines - 2 glycol lines	\$ 21.90	\$ 21.40
4220P-10-1	10-Product lines - 2 glycol lines	\$ 26.10	\$ 25.40
4220P-12-1	12-Product lines - 2 glycol lines	\$ 33.00	\$ 32.20

Trunk Housings - 5/16" Beverage Barrier Tubing w/two 3/8" poly coolant lines

Part No.	Description	List Price Per Foot (50'-199')	List Price Per Foot (200'+)
4303P-2-1	2-Product lines - 2 glycol lines	\$ 13.40	\$ 12.90
4303P-4-1	4-Product lines - 2 glycol lines	\$ 15.60	\$ 14.90
4303P-5-1	5-Product lines - 2 glycol lines	\$ 17.50	\$ 16.80
4303P-6-1	6-Product lines - 2 glycol lines	\$ 19.40	\$ 18.50
4303P-8-1	8-Product lines - 2 glycol lines	\$ 21.90	\$ 21.40
4303P-10-1	10-Product lines - 2 glycol lines	\$ 26.10	\$ 25.40
4303P-12-1	12-Product lines - 2 glycol lines	\$ 33.00	\$ 32.20

Trunk Housings - 1/4" Beverage Barrier Tubing w/two 3/8" poly coolant lines

Part No.	Description	List Price Per Foot
4302P-2-1	2-Product lines - 2 glycol lines	\$ 12.80
4302P-4-1	4-Product lines - 2 glycol lines	\$ 14.80
4302P-5-1	5-Product lines - 2 glycol lines	\$ 16.60
4302P-6-1	6-Product lines - 2 glycol lines	\$ 18.40
4302P-8-1	8-Product lines - 2 glycol lines	\$ 20.80
4302P-10-1	10-Product lines - 2 glycol lines	\$ 24.80
4302P-12-1	12-Product lines - 2 glycol lines	\$ 31.40

3/8" Stock Trunk Housings - 3/8" Beverage Barrier Tubing w/two 3/8" poly coolant lines

Part No.	Description	List Price
4220P-6-150	6 Line Trunk Housing - 150 ft.	\$ 2,903.70
4220P-8-150	8 Line Trunk Housing - 150 ft.	\$ 3,272.90
4220P-10-150	10 Line Trunk Housing - 150 ft.	\$ 3,908.10
4220P-12-150	12 Line Trunk Housing - 150 ft.	\$ 4,959.20

Splice Kits for 1/4" and 5/16" Trunk Lines

Part No.	Description	List Price
67994	Splice kit for walk-in cooler connections to 1/4" and 5/16" trunk line	\$ 81.00
63181-12-312	Splice kit, 12 Product, 5/16" Tubing	\$ 64.00
63181-12-25	Splice kit, 12 Product, 1/4" Tubing	\$ 57.60

MAX TRUNK LINE LENGTH GUIDELINES:

Under Floor Systems - Walk-in cooler on same floor as dispensing head

Negative Lift Systems - Dispensing head 8' FT below Walk-In cooler

Tube	Max Length w/ Straight CO2 (17 PSI or Less)	Max Length w/ Mixed Gas (35 PSI Max)	Max Length w/ Pumps (75 PSI Max)
3/8" ID	170' Ft / 250' Ft	450' Ft / 530' Ft	1070' Ft / 1150' Ft
5/16" ID	55' Ft / 90' Ft	170' Ft / 200' Ft	425' Ft / 460' Ft
1/4" ID	22' Ft / 35' Ft	65' Ft / 80' Ft	170' Ft / 185' Ft

For any other insulated beer line run configuration with a Lift System, Up, Over & Downs System or Negative Lift System (other than stated above) please contact Perlick directly for engineering assistance.



KEG COUPLERS



No. 36000G



No. 36000D

G-SERIES KEG COUPLERS FOR SINGLE VALVE DOMESTIC AND IMPORTED KEGS

Provided with non-rotating probe in stainless steel or nickel-plated brass. Enlarged bore and wider tip opening produces less turbulence and restriction which allows for reduced line pressure and CO₂ breakout. Nickel-plated, forged brass body with three internally mounted seals. Floating ball check valve equalizes line pressure. Relief valve vents over-pressurized keg. For bent probe design, attach #2036SS elbow to external thread on keg couplers. Optional locking shield prevents accidental untapping. Individually packed, 25 per case. Weight 24 oz. each.

For Domestic Kegs

Part No.	Description	System	List Price 1-24	List Price 25-Over
36000G	Probe, brass, less lock	D	\$ 65.30	\$ 62.10
36000GS	Probe, st. st., less lock	D	\$ 82.70	\$ 79.40



No. 32695

Lug Straightener for Single Valve Kegs

Part No.	Description	List Price 1-5	List Price 6-Over
32695	Lug straightener	\$ 109.20	\$ 104.40



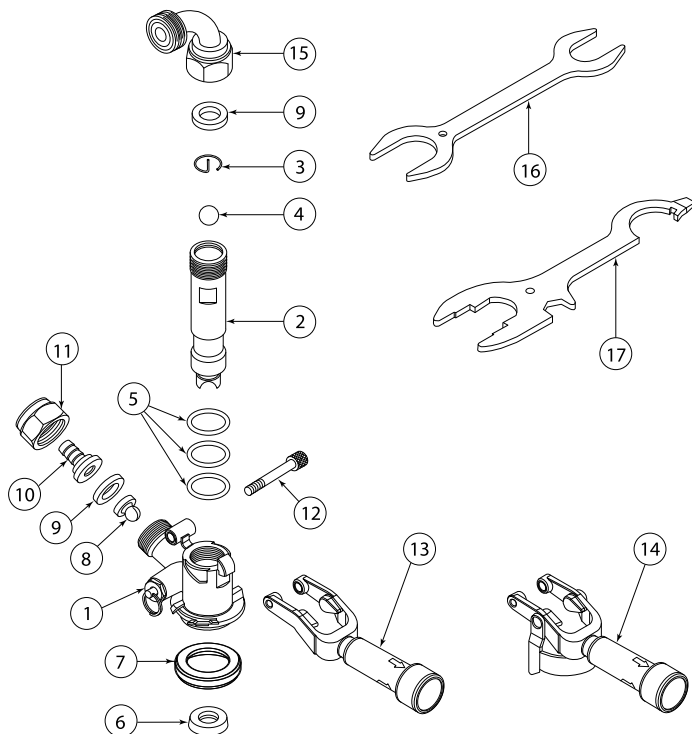
No. 36000G

No. 36000GS

For Imported Kegs

Part No.	Description	System	List Price 1-24	List Price 25-Over
37500G	Probe, brass, less lock	S	\$ 78.30	\$ 75.10
37500GS	Probe, st. st., less lock	S	\$ 81.20	\$ 77.90

G SERIES KEG COUPLER REPLACEMENT PARTS



When ordering parts, please specify part No. and quantity of each required.

36000G series Keg Coupler Replacement Parts

Item	Part No.	Description	List Price 1-24	List Price 25-Over
1	65800	Body	\$ 56.30	\$ 53.10
2	40174-1	Probe - domestic brass	\$ 17.40	\$ 16.30
3	43641-1	Ball stop	\$ 1.30	\$ 0.90
4	31080-2P	Ball	\$ 1.20	\$ 1.10
5	31089-2P	"O" ring, 3 per assembly	\$ 1.20	\$ 1.10
6	31087-2P	Probe washer - domestic	\$ 1.50	\$ 0.90
7	31088-2P	Bottom seal washer	\$ 1.90	\$ 1.30
8	23682-2P	Check valve	\$ 2.40	\$ 2.10
9	157R2P	Washer	\$ 0.60	\$ 0.30
10	2068-1	Tailpiece	\$ 1.90	\$ 1.70
11	2026	Coupling nut	\$ 1.70	\$ 1.60
12	67045-1	Retaining screw	\$ 2.90	\$ 2.80
13	67042	Yoke assembly standard	\$ 29.70	\$ 28.60
14	67066	Yoke assembly with lock	\$ 31.90	\$ 30.50
15	2036SS	Elbow coupling (optional)	\$ 20.50	\$ 19.70
16	32474-1	Wrench	\$ 16.30	\$ 15.40
17	40106	Combination wrench (optional)	\$ 31.90	\$ 30.50



No. 36000D



No. 36000D2

D-SERIES KEG COUPLERS FOR SINGLE VALVE DOMESTIC AND IMPORTED KEGS

Exclusive one-piece rotating probe helps prevent twisting beer lines. Nickel-plated, forged brass body with three internally mounted seals. Floating ball check valve equalizes line pressure. Relief valve vents over-pressurized kegs. Optional locking shield prevents accidental untapping. Individually packed, 25 per case. Weight 24 oz. each.

For Domestic Kegs

Part No.	Description	System	List Price 1-24	List Price 25-Over
36000D	Probe, less lock	D	\$ 76.40	\$ 73.30
36000D2	Bent probe, less lock	D	\$ 108.00	\$ 105.00

For Imported Kegs

Part No.	Description	System	List Price 1-24	List Price 25-Over
37500D2	Bent probe, less lock	S	\$ 109.10	\$ 106.20



No. 63907



No. 63909



No. 63908

IMPORTED KEG COUPLERS

Imported keg couplers include U.S. thread adapter.

Part No.	Description	System	List Price
63907	G system for Bass, Anchor Steam and Boddington	G	\$ 146.30
63909	A system for Warsteiner, Spaten and Paulaner	A	\$ 146.30
63908	U system for Guinness and Harp	U	\$ 146.30



No. 40030

LO-BOY COUPLER FOR SINGLE VALVE DOMESTIC KEGS

Uniquely constructed to tap a keg in limited space. Just push down and twist to tap.

Lo-Boy Coupler for Single Valve Domestic Kegs

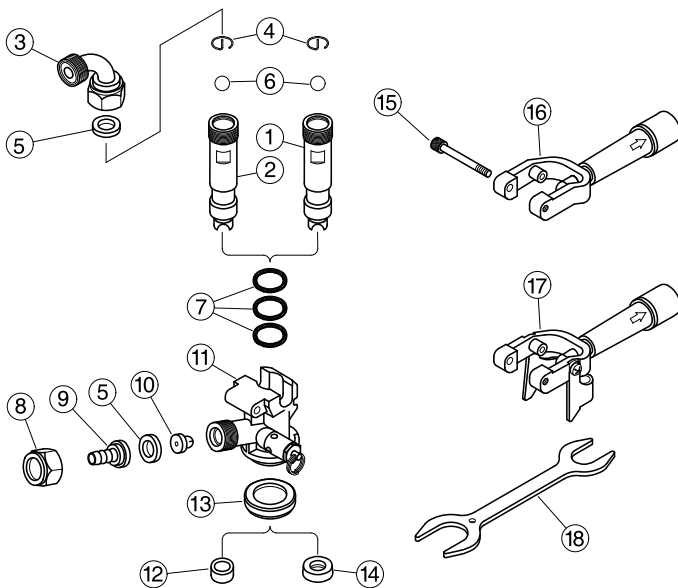
Part No.	Description	System	List Price 1-24	List Price 25-Over
40030	Lo-Boy	D	\$ 90.30	\$ 87.30
40030S	Lo-Boy	S	\$ 130.00	\$ 126.00

KEG COUPLER REPLACEMENT PARTS

26000G Series Keg Coupler Replacement Parts OLD STYLE				
Item	Part No.	Description	List Price 1-24	List Price 25-Over
1	40174-1	Probe - brass	\$ 17.40	\$ 16.40
1	40174-1SS	Probe - stainless steel	\$ 37.10	\$ 35.60
2	40157-1*	Probe, brass, Imported kegs	\$ 23.10	\$ 21.80
2	40157-1SS*	Probe, st. st., Imported kegs	\$ 49.30	\$ 47.40
3	2036SS	Elbow for bent probe, st. st.	\$ 20.50	\$ 19.70
4	43641-1	Ball retaining spring	\$ 1.30	\$ 0.90
5	157R2P	Washer	\$ 0.70	\$ 0.30
6	31080-2P	Ball check	\$ 1.20	\$ 1.10
7	31089-2P	O-ring (3 per ass'y.)	\$ 1.20	\$ 1.10
8	2026	Hex nut	\$ 1.70	\$ 1.60
9	2068-1	Tailpiece	\$ 1.90	\$ 1.70
10	23682-2P	Check valve	\$ 2.40	\$ 2.10
11	43061	Coupler body	\$ 51.40	\$ 48.50
12	31479-1*	Probe washer, imported	\$ 2.50	\$ 1.10
13	31088-2P	Bottom seal washer	\$ 1.90	\$ 1.30
14	31087-2P	Probe washer, domestic	\$ 1.50	\$ 1.00
15	31084-1	Retaining screw	\$ 3.60	\$ 2.80
16	43001A	Yoke less lock-domestic	\$ 29.80	\$ 28.60
17	43002A	Yoke with lock-domestic	\$ 39.00	\$ 37.50
18	32474-1	Wrench	\$ 16.40	\$ 15.40

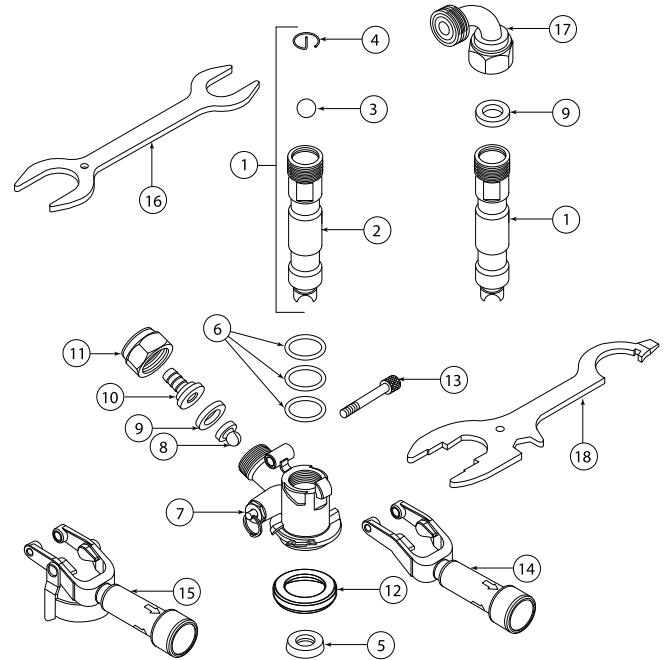
*Replacement part used exclusively for Keg Couplers for Imported Kegs.

26000G SERIES REPLACEMENT PARTS



36000D Series Keg Coupler Replacement Parts CURRENT				
Item	Part No.	Description	List Price 1-24	List Price 25-Over
1	32499B	Probe assembly	\$ 20.90	\$ 19.30
2	40184-1	Probe body	\$ 18.80	\$ 17.40
3	31080-2P	Ball	\$ 1.16	\$ 1.05
4	43641-1	Ball retainer	\$ 1.26	\$ 0.93
5	31087-2P	Probe washer	\$ 1.28	\$ 0.96
6	31089-2P	"O" ring, 3 per assembly	\$ 1.20	\$ 1.10
7	65800	Body	\$ 56.30	\$ 53.10
8	23682-2P	Check valve	\$ 2.40	\$ 2.10
9	157R2P	Washer	\$ 0.70	\$ 0.30
10	2068-1	Tailpiece	\$ 1.90	\$ 1.70
11	2026	Coupling nut	\$ 1.70	\$ 1.60
12	31088-2P	Bottom seal washer	\$ 1.90	\$ 1.30
13	67045-1	Retaining screw	\$ 2.90	\$ 2.80
14	67042	Yoke assembly standard	\$ 29.80	\$ 28.60
15	67066	Yoke assembly with lock	\$ 31.90	\$ 30.50
16	32474-1	Wrench	\$ 16.40	\$ 15.40
17	2036SS	Elbow coupling (optional)	\$ 20.60	\$ 19.70
18	40106	Combination wrench (opt.)	\$ 31.90	\$ 30.50

KEG COUPLER REPLACEMENT PARTS

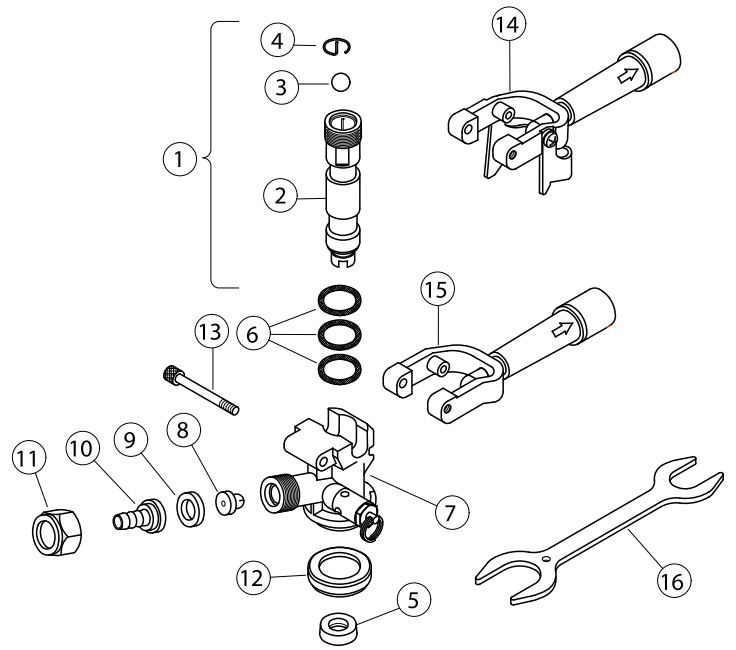


26000D SERIES REPLACEMENT PARTS

26000D SERIES REPLACEMENT PARTS

26000D Series Keg Coupler Replacement Parts

Item	Part No.	Description	List Price 1-24	List Price 25-Over
1	32499B	Probe assembly	\$ 20.90	\$ 19.30
2	40184-1	Probe body	\$ 18.80	\$ 17.40
3	31080-2P	Ball	\$ 1.20	\$ 1.10
4	43641-1	Ball retainer	\$ 1.30	\$ 0.90
5	31087-2P	Probe washer	\$ 1.50	\$ 0.90
6	31089-2P	O-ring (3 per assembly)	\$ 1.20	\$ 1.10
7	43061	Body	\$ 51.40	\$ 48.50
8	23682-2P	Check valve	\$ 2.40	\$ 2.10
9	157R2P	Washer	\$ 0.60	\$ 0.30
10	2068-1	Tailpiece	\$ 2.00	\$ 1.80
11	2026	Coupling nut	\$ 1.70	\$ 1.60
12	31088-2P	Bottom seal washer	\$ 1.90	\$ 1.30
13	31084-1	Retaining screw	\$ 3.60	\$ 2.80
14	43002A	Yoke assembly with lock	\$ 39.00	\$ 37.50
15	43001A	Yoke assembly Standard	\$ 29.80	\$ 28.60
16	32474-1	Wrench	\$ 16.30	\$ 15.40



50



No. 67206



No. 67207

WING HANDLE KEG COUPLER

Part No.	Description	System	List Each	List Each 12-49	List Each 50-Over
67207	w/metal handle	D	\$ 69.60	\$ 67.70	\$ 64.50
67206	w/plastic handle	D	\$ 58.70	\$ 56.50	\$ 53.80



No. 26159C



No. 1595B



No. 67138

POCKET THERMOMETER

Part No.	Description	List Price 1-5	List Price 6-Over
1595B	Digital pocket w/1" dial	\$ 48.00	\$ 45.00
67138	Pocket w/1" dial	\$15.60	

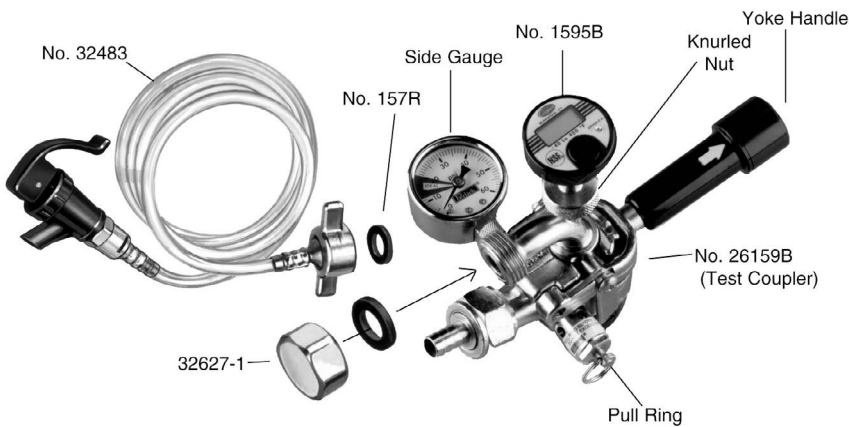
Single Valve Test Coupler

Part No.	Description	List Price
26159C	Test coupler	\$ 253.00

For operating instructions request form number Z2319.

Optional Probe Tip for Import Keys

Part No.	Description	List Price
31478-1	Optional Probe Tip (for import keys)	\$ 7.00



Test Kit

Part No.	Description	List Price
32700B	Test Kit (includes test coupler, hose assembly, combination wrench)	\$ 292.00

For operating instructions request form number Z2319.



HEAVY-DUTY ELECTRIC BEER LINE CLEANER

- Heavy-duty pump designed for long draw systems.
- Pulsating action breaks down beer stone deposits.
- Pressure regulator limits line pressure to 50 psi reducing potential for damage to beer lines.
- Fully enclosed in protective case.
- Coating on internal parts helps resist chemical damage.

Furnished with a 6 foot inlet filtered line and a 6 foot discharge line with a #22050-1 adapter and shoulder strap.

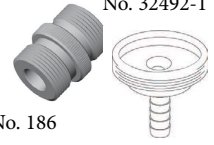
Part No.	Description	Ship Wt. (lbs.)	List Price
64301	Beer line cleaner	38	\$ 1,925
64302	Two wheel cart (for #64301 only)	14	\$ 384



No. 22050-1



No. 63798



No. 186

No. 32492-1

PUMP-TYPE STERILIZER AND ADAPTERS

Part No.	Description	List Price	List Price
63798	Jar with pump	---	\$ 95.00

Part No.	Description	1-5	6-Over
22050-1	Cleaning adapter for 408X/410X faucet	\$ 20.60	\$ 19.60
186	Double male adapter	\$ 33.00	\$ 32.00
32492-1	Cleaning adapter for 307 faucet	\$ 50.00	\$ 47.00



CLEANING KIT

Kit includes a sterilizer w/ faucet coupling, a spanner wrench, a faucet brush, ball lifter and 4 oz. beer line cleaner.

No. 63797

Part No.	Description	List Price
63797	Cleaning kit	\$ 157



No. 43657
Single
Adapter



No. 43681
Dual
Adapter



No. 43659
Series
Adapter

CLEANING ADAPTERS

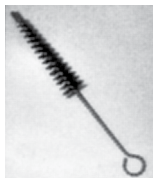
Single and dual cleaning adapters uniquely designed to operate when Perlick's keg coupler is in the untapped (handle up) position, allowing the system to be cleaned from the faucet through the keg coupler. Prevents solution from entering the CO₂ line, eliminating beer contamination when retapping. Brass nickel-plated. (Bulk Packed)

Part No.	Description	List Price 1-5	List Price 6-Over
43657*	Single/domestic kegs	\$ 62.00	\$ 58.00
43681*	Dual/domestic kegs	\$ 68.00	\$ 64.00
43659*	Series/domestic kegs	\$ 48.00	\$ 45.00
43699	Single/imported kegs	\$ 101.00	\$ 96.00
43702	Dual/imported kegs	\$ 161.00	\$ 152.00

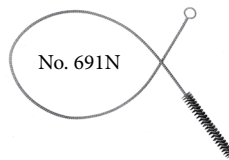
*Note: These adapters are designed to be used with all Perlick single valve couplers and most competitor's couplers. Must be used with EKS Couplers when cleaning lines from the faucet through the EKS Coupler.

CLEANING BRUSHES

Individually packed



No. 696AN



No. 691N

Part No.	Description	List Price 1-24	List Price 25-Over
689N	Brush - 5/8" x 36"	\$ 14.00	\$ 13.00
691N	Brush- 3/16" x 46"	\$ 16.00	\$ 15.00
696AN	Brush - faucet - 7-3/4"	\$ 8.20	\$ 7.20

BLC - BEER LINE CLEANER

Concentrated liquid cleaner for beer and beverage lines. Works in all variety of cleaning equipment (pumps, pressure tank, etc). Use 1/2 oz. per quart of water.

No. BLC 32



Part No.	Description	List Each 1-11	List Each 12-49	List Each 50-Over
BLC 4	4 oz. Bottle	\$ 5.70	---	\$ 5.10
BLC 32	32 oz. Bottle	\$ 21.30	\$ 19.20	---
BLC 5G	5 Gallon Container	\$ 338.00	---	---

PEN - PELISTRATE CLEANER

Powerful liquid cleaner for beer and beverage systems. Formulated for routine cleaning of stubborn systems. Use 1oz. per gallon for routine cleaning.

No. PEN 32



Part No.	Description	List Each 1-11	List Each 12-49	List Each 50-Over
PEN 4	4 oz. Bottle	\$ 6.20	---	\$ 5.30
PEN 32	32 oz. Bottle	\$ 24.50	\$ 21.90	---
PEN 5G	5 Gallon Container	\$ 372.00	---	---

ALC - ACID LINE CLEANER

Concentrated liquid cleaner targets calcium oxalate build-up from draft beer systems. Use 1oz. per gallon for routine cleaning. Heavy build-up may require up to 6oz. per gallon.

No. ALC 32



Part No.	Description	List Each 1-11	List Each 12-49	List Each 50-Over
ALC 4	4 oz. Bottle	\$ 6.20	---	\$ 5.30
ALC 32	32 oz. Bottle	\$ 24.50	\$ 21.90	---
ALC 5G	5 Gallon Container	\$ 372.00	---	---

TM DESANAMAX

Beer line cleaner & verifier. This is a cleaner and verification agent in powder form for all kinds of dispensing installations for beverages. During the cleaning process the color indicates the clean status of the beverage lines.



No. TM2

1.9oz. TM2 Packet is good for mixing 1.2 gallons of solution

Part No.	Description	List Each	List Each 25-Over
TM2	1.9 oz. Packet	\$ 4.80	\$ 4.40

DAC - DOUBLE ALKALINE CLEANER

Very powerful liquid cleaner for beer and beverage systems. Formulated with twin alkaline compounds for cleaning problematic systems. Use 1oz. per gallon, 4-6 oz. for heavy soil.

No. DAC 32



Part No.	Description	List Each 1-11	List Each 12-49	List Each 50-Over
DAC 4	4 oz. Bottle	\$ 6.20	---	\$ 5.30
DAC 32	32 oz. Bottle	\$ 24.50	\$ 21.90	---
DAC 5G	5 Gallon Container	\$ 394.00	---	---



CLEANING JUG - 1.3 GAL

Jug of TM Desanamax Liquid Beer Line Cleaner

Part No.	Description	List Each
TM170	1.0 Gal Jug	\$ 193.00



No. 40000B

PISTON PARTY PUMPS

Sturdy and easy to use. Has palm-sized handle to pump more air with less effort. Red thermoplastic cylinder; all metal coupler. Convenient vent button to control foaming. Includes two foot vinyl hose with nylon faucet. Easy to disassemble for cleaning. Packed in individual display cartons, 25 per case. Ship Weight: 25 oz. each

For Domestic Kegs		
Part No.	List Price 1-24	List Price 25-Over
40000B	\$ 106.00	\$ 104.00
For Imported Kegs		
40025B	\$ 123.00	\$ 114.00



No. 67351-RD

KEG JACKET

Insulated Keg Jacket w/ slot in top for picnic pump.

Part No.	Description	List Price
67351-RD	Red Vinyl	\$ 88.00

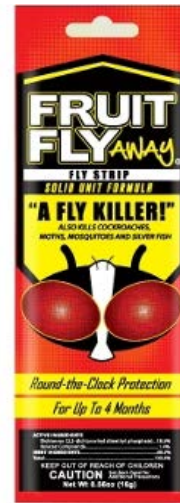


No. 40000A

BELLOWS PARTY PUMP

Unique polyethylene bellows seals out grit. No lubrication or O-rings required. All metal coupler. Convenient vent button to control over-foaming. Includes two foot vinyl hose with nylon faucet. Easy to disassemble for cleaning. Individually packed, 25 per case. Ship Weight: 25 oz. each

For Domestic Kegs		
Part No.	List Price 1-24	List Price 25-Over
40000A	\$ 88.00	\$ 82.00
For Imported Kegs		
40025A	\$ 98.00	\$ 93.00



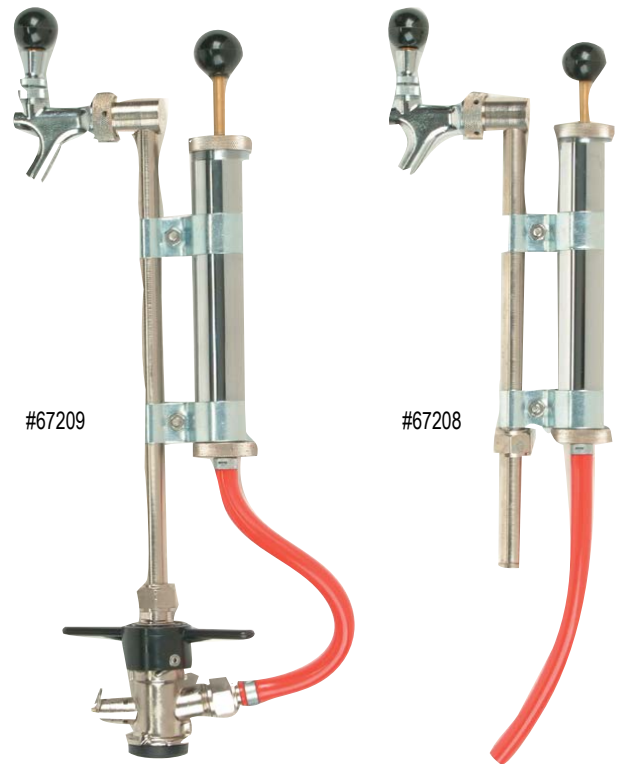
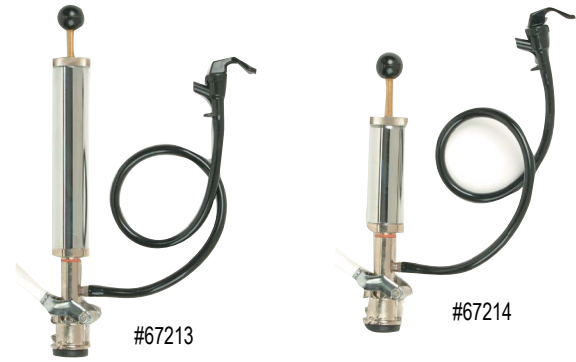
FRUIT FLY BAR PRO FLY STRIPS

Fruit Fly Bar Pro fly strips kill unwanted pests fast by emitting a time-released vapor that fills every crack and crevice within a 200 cubic foot area. Use overnight in drink or food areas to kill fruit flies, gnats, cockroaches, silverfish and more.

Part No.	Description	List
FF-1	Each	\$ 21.60
FF-10	Case of 10	\$ 203.00

PARTY PUMPS

Part No.	Description	List Each 1-11	List Each 12-49	List Each 50-Over
67213	SanKey w/ 8" pump	\$ 112.00	\$ 107.00	\$102.00
67214	SanKey w/ 4-1/2" pump	\$ 104.00	\$ 100.00	\$ 95.00
67212	SanKey w/ 4-1/2" pump & metal wing	\$ 107.00	\$ 101.00	\$ 97.00
67211	SanKey w/ 4-1/2" pump & plastic wing	\$ 94.00	\$ 90.00	\$ 85.00
67210	SanKey w/ 8" pump & plastic wing	\$ 102.00	\$ 97.00	\$ 87.00
67209	SanKey pump w/ plastic wing tap	\$ 198.00	\$ 189.00	\$ 180.00
67208	Deluxe pump less tapping head	\$ 133.00	\$ 128.00	\$ 122.00



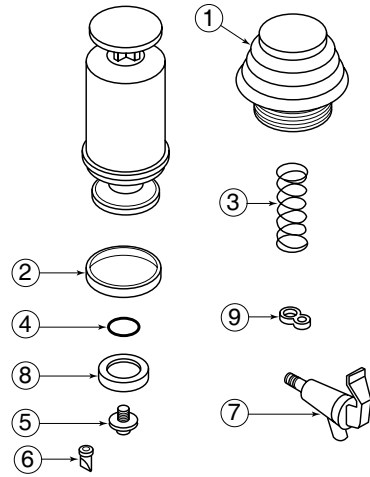
STAINLESS STEEL COILS

Coils are made of 304 beverage grade stainless

Part No.	Description	List Price
67216	100' x 3/8" OD & 20' x 1/4" OD coil 9" diameter	\$ 401.00
67215	50' x 5/16" OD coil 9" diameter	\$ 183.00

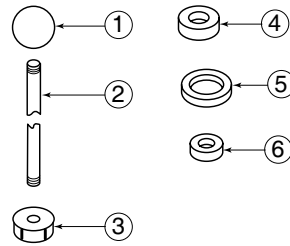
FOR BELLOWS AND PISTON PARTY PUMPS

Item	Part No.	Description	List Price 1-24	List Price 25-Over
1	43318	Bellows (4 per pack)	\$ 23.00	\$ 21.00
2	43437-1	Quad ring	\$ 4.80	\$ 3.70
3	43003-1	Spring for bellows	\$ 1.80	\$ 1.40
4	32697-1	Probe O-ring	\$ 1.40	\$ 1.20
5	32689-1	Probe tip	\$ 5.50	\$ 4.80
6	32699-1	Check valve	\$ 3.30	\$ 3.10
7	30040A	Faucet	\$ 8.10	\$ 7.50
8	31088-2P	Bottom seal washer	\$ 1.90	\$ 1.30



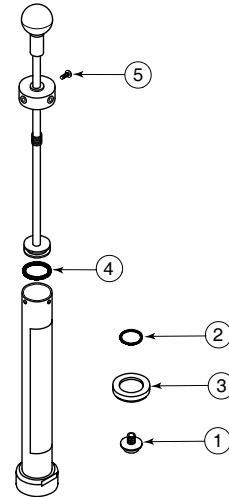
FOR 26750 & 21218 FIXED FAUCET PARTY PUMPS

Item	Part No.	Description	List Price 1-24	List Price 25-Over
1	D10326	Handle	\$ 5.00	\$ 4.50
2	294-5	Shaft	\$ 22.00	\$ 21.00
3	24719-1	Cylinder cap	\$ 5.00	\$ 4.30
4	294-6	Cup leather	\$ 20.00	\$ 19.30
5	31088-2P	Bottom seal washer	\$ 1.90	\$ 1.30
6	31087-2P	Probe washer - single valve	\$ 1.50	\$ 0.90



FOR 26750B, 21218A PARTY PUMPS

Item	Part No.	Description	List Price 1-24	List Price 25-Over
1	32689-1	Probe tip	\$ 5.50	\$ 4.80
2	32697-1	O-ring	\$ 1.40	\$ 1.20
3	31088-2P	Bottom seal washer	\$ 1.90	\$ 1.30
4	43784	O-ring (pump piston)	\$ 0.80	\$ 0.70
5	M00501-187	Screw (four required)	---	\$ 0.90



#40098

MIX 'N MATCH REPLACEMENT CYLINDERS FOR BELLOWS OR PISTON PARTY PUMPS

All Perlick Party Pumps use the same high quality base. Cylinders can be interchanged by simply unscrewing the bellows or cylinder and replacing it with the brand of your choice.

Part No.	Description	List Price 1-4	List Price 5-Over
40098	Red	\$ 33.00	\$ 30.00

No. 2928F - Twin Gauge



CARBON DIOXIDE AND MIXED GAS

Maximum usable pressure - 50 psig.

Primary regulators for beer, wine, and soda are equipped with an integral, preset, tamper-proof relief valve. Beer and wine regulators include No. 44CV shut-off valve with built-in check valve. Furnished with a CO₂ connection (CGA320)

Part No.	Description	List Price 1-5	List Price 6-Over
2922F	Single gauge	\$ 135.00	\$ 130.00
2928F	Twin gauge	\$ 145.00	\$ 142.00
2930E	Twin gauge high pressure for beer pumps	\$ 173.00	---

No. 2925C



NITROGEN

Maximum usable pressure - 50 psig.

Part No.	Description	List Price 1-5	List Price 6-Over
2923C	Single gauge	\$ 155.00	\$ 148.00
2925C	Twin gauge	\$ 174.00	\$ 170.00

HIGH PRESSURE

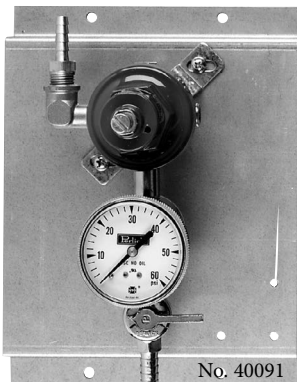
Maximum usable pressure - 125 psig.

Part No.	Description	List Price
43833	Twin gauge high pressure	\$ 174.00

Furnished with nitrogen tank fitting.

REPLACEMENT PARTS

Part No.	Description	List Price 1-24	List Price 25-Over
33-22-2P	Carbonic gas drum coupling gasket	\$ 0.56	\$ 0.28



No. 40091

STEP DOWN REGULATOR

To step down high pressure CO₂ from bulk tank to operating pressure of secondary regulators for beer kegs.

Part No.	Description	List Price
40091A	For bulk CO ₂	\$ 184.00
40091AHP	High pressure for beer pumps-bulk tanks	\$ 221.00

MANIFOLDS ONLY

All secondary regulator assemblies are permanently marked with the maximum set pressure for that regulator.



No. 26162E

Part No.	Description	List Price 1-5	List Price 6-Over
26161E	1 Regulator	\$ 139.00	\$ 136.00
26162E	2 Regulators	\$ 248.00	\$ 238.00
26163E	3 Regulators	\$ 348.00	\$ 338.00
26164E	4 Regulators	\$ 434.00	\$ 431.00

PANEL-MOUNTED MANIFOLD

No. 69937-1



Part No.	Description	List Price 1-5	List Price 6-Over
69936-1	1 Regulator	\$ 181.00	\$ 173.00
69937-1	2 Regulators	\$ 285.00	\$ 275.00
69938-1	3 Regulators	\$ 420.00	\$ 411.00
69939-1	4 Regulators	\$ 513.00	\$ 499.00

PANEL-MOUNTED MANIFOLD WITH LOCK

No. 69937-1L



Part No.	Description	List Price 1-5	List Price 6-Over
69936-1L	1 Regulator	\$ 216.00	\$ 209.00
69937-1L	2 Regulators	\$ 339.00	\$ 322.00
69938-1L	3 Regulators	\$ 464.00	\$ 441.00
69939-1L	4 Regulators	\$ 593.00	\$ 564.00

REPLACEMENT PARTS FOR SECONDARY REGULATORS



No. 40115A

Part No.	Description	List Price 1-5	List Price 6-Over
40115A	Regulator body	\$ 86.00	\$ 82.00

MANIFOLDS - TWO AND THREE OUTLETS for Single Pump

Attaches to beer pump panel above the pump outlet



Part No.	Description	List Price
43818-1	3/8" U Bend "Y" Fitting	\$ 16.00
40139B38	Manifold Assembly with 3/8" Output	\$ 110.00
40139B31	Parts bag to convert Manifold Assembly with 5/16" Output	\$ 18.00
40139B25	Parts bag to convert Manifold Assembly to 1/4" Output	\$ 18.00

***For a 5/16" or 1/4" output, order the "Manifold Assembly" (40139B38) along with the corresponding parts bag to convert it to the desired output diameter.**

BEER PUMP PANELS

Part No.	Description	List Price
66134-1A	1-Pump panel	\$ 539.00
66134-2A	2-Pump panel	\$ 807.00
66134-3A	3-Pump panel	\$ 1,043.00
66134-4A	4-Pump panel	\$ 1,259.00



No. 66134-2A

CO₂ VENT KITS

Beer pumps are gas driven by either CO₂ or air pressure. If CO₂ gas is used, pump panels must be ordered with CO₂ vent kits. The CO₂ gas must be vented outside the cooler to vent dangerous high concentrations of CO₂ in the walk-in cooler.

Part No.	Description	List Price
63178-1	Vent for 1-Pump panel	\$ 18.00
63178-2	Vent for 2-Pump panel	\$ 29.00
63178-3	Vent for 3-Pump panel	\$ 36.00
63178-4	Vent for 4-Pump panel	\$ 47.00

Flojet Pump Replacement Parts

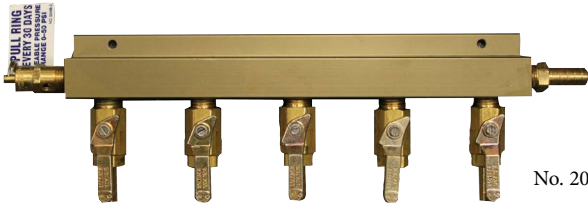
Part No.	Description	List Price
43817	Flojet pump	\$ 147.00
63706	Flow reversal valve	\$ 66.00



No. 63706

Pump Cover Panels

66573-1	Single	\$ 136.00
66573-2	Dual	\$ 164.00
66573-3	Three	\$ 191.00
66573-4	Four	\$ 219.00



No. 20852-5

AIR DISTRIBUTOR WITH SHUT OFF AND 53 LB. SAFETY RELIEF VALVE*

Part No.	Description	List Price 1-5	List Price 6-Over
20852-1	1 Shut off	\$ 88.00	\$ 85.00
20852-2	2 Shut offs	\$ 94.00	\$ 92.00
20852-3	3 Shut offs	\$ 124.00	\$ 120.00
20852-4	4 Shut offs	\$ 149.00	\$ 145.00
20852-5	5 Shut offs	\$ 193.00	\$ 188.00



No. 44

SHUT-OFF VALVE

Zinc die cast, nickel plated.

Part No.	Description	List Price 1-24	List Price 25-Over
44CV	With check valve	\$ 23.00	\$ 22.00
44	Less check valve	\$ 20.00	\$ 18.00

**IMPORTANT: Existing safety codes recommend the installation of two safety relief valves in every pressurized beverage system; one in the outlet of the primary regulator and the second in the gas system upstream of the product tanks. If you will use No. 43815-1 as a second relief valve, our entire line of manifolds and secondary regulator assemblies can be ordered without a relief valve. To order without a relief valve, add suffix letters "LV" to part number and deduct \$13.73 from the price.*

RETROFIT SAFETY RELIEF VALVE*

1/4" male x 1/4" female NPT

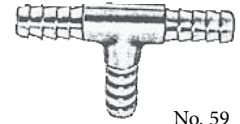


No. 43815-1

Part No.	Description	List Price 1-5	List Price 6-Over
43815-1	53 lb. Retrofit relief valve	\$ 35.00	\$ 34.00



No. 57



No. 59

MISCELLANEOUS ACCESSORIES

Part No.	Description	List Price 1-24	List Price 25-Over
33-22-2P	Carbonic gas drum coupling gasket	\$ 0.56	\$ 0.28

Part No.	Description	List Price 1-5	List Price 6-Over
57	Nickel-plated brass air hose nipple 1/4" pipe thread and 5/16" ID hose	\$ 5.10	\$ 4.70
59	Nickel-plated brass tee for 5/16" ID air hose	\$ 9.50	\$ 8.50

AIR GAUGES WITH 2" FACE 1/4" MALE PIPE CONNECTION.



No. 2487R

Right-hand Thread

Part No.	Description	List Price 1-5	List Price 6-Over
2487R	0-60 lb.	\$ 16.50	\$ 15.50
2488R	0-300 lb.	\$ 29.00	\$ 27.00

Sidemount (0-3000 Lb.)

2489ARLH	Left-hand thread	\$ 29.00	\$ 27.00
----------	------------------	----------	----------

Sidemount (0-4000 Lb.)

2490RLH	Left-hand thread	\$ 32.00	\$ 30.00
---------	------------------	----------	----------

Center Back Connection

C22228	0-60 lb.	\$ 26.00	\$ 24.00
--------	----------	----------	----------

2-WAY, NSF SHUT-OFF BALL VALVE FOR AIR OR LIQUID



No. 70061

Part No.	Description	List Price 1-5	List Price 6-Over
70061	1/4" Barbed	\$ 25.00	\$ 24.00
70062	3/8" Barbed	\$ 25.00	\$ 24.00
70063	3/8" John Guest Fitting	\$ 34.00	\$ 33.00
70064	John Guest 3/8" Stem to 5/16" Barb	\$ 4.35	\$ 4.26
70065	5/16" Barb Assembly (includes 1 - 70063 & 2 - 70064)	\$ 42.00	\$ 41.00
70066	Splicer, Hose, 1/4" x 5/16"	\$ 7.60	\$ 7.40

NOTE: Maximum operating pressure: 125PSI, Maximum operation temperature: 140°F

BEER BLAST N² GENERATOR

Four models to choose from:

The P200 series N² Generator will dispense up to 4 kegs per hour and the P400 series will dispense up to 8 kegs per hour.

All models include N² generator, 30 gallon nitrogen storage tank, wall mount bracket for N² Generator, and leak detection system.

Option: You have the option to purchase with or without built-in gas blender. You may have existing McDantim blender in that case order without blender.

If ordering with blender, you will get the double blender that gives you 60/40 blend for lager beers and 25/75 for Guinness, Boddington, etc.



No. 668

MCDANTIM'S TRUMIX CO₂-NITROGEN BLENDER

An extremely accurate Nitrogen CO₂ Blender. Available in single, double or triple blend units preset at the factory. Provided with a 1/4" female pipe thread connection for use with any fitting required.

Part No.	Description	List Price
N2G7	Nitrogen Generator - 7 kegs/hr - No Blender	\$ 13,036.00
N2G7DB7025	Nitrogen Generator - 7 kegs/hr - w/DbI Blender 70/30 - 25/75	\$ 15,270.00
N2G7DB6025	Nitrogen Generator - 7 kegs/hr - w/DbI Blender 60/40 - 25/75	\$ 15,270.00
N2G7DB5025	Nitrogen Generator - 7 kegs/hr - w/DbI Blender 50/50 - 25/75	\$ 15,270.00
70216	Wall to Floor Mount Bracket	\$ 395.00



No. 67114

IN-LINE GAS LEAK INDICATOR

Part No.	Description	List Price
67114	In-line leak indicator	\$ 289.00

Part No.	Description	List Price
69900S70	Single Blend 70% CO ₂ - 30% Nitrogen - 70 PSIG	\$1,575.00
69900S60	Single Blend 60% CO ₂ - 40% Nitrogen - 70 PSIG	\$1,575.00
69900S50	Single Blend 50% CO ₂ - 50% Nitrogen - 70 PSIG	\$1,575.00
69900S25	Single Blend 25% CO ₂ - 75% Nitrogen - 70 PSIG	\$1,575.00
69900D7025	Double Blend 70% CO ₂ - 30% Nitrogen 25% CO ₂ - 75% Nitrogen - 70 PSIG	\$2,298.00
69900D6025	Double Blend 60% CO ₂ - 40% Nitrogen 25% CO ₂ - 75% Nitrogen - 70 PSIG	\$2,298.00
69900D5025	Double Blend 50% CO ₂ - 50% Nitrogen 25% CO ₂ - 75% Nitrogen - 70 PSIG	\$2,298.00
69900S70HV	Single Blend 70% CO ₂ - 30% Nitrogen, 70-PS1G High Volume - 70 PSIG	\$1,997.00
69900S60HV	Single Blend 60% CO ₂ - 40% Nitrogen, 70-PS1G High Volume - 70 PSIG	\$1,997.00
69900S50HV	Single Blend 50% CO ₂ - 50% Nitrogen, 70-PS1G High Volume - 70 PSIG	\$1,997.00
69900S70SA	Single Blend 70% CO ₂ - 30% Nitrogen, 110-PS1G Stadium Application - 110 PSIG	\$2,496.00
69900S60SA	Single Blend 60% CO ₂ - 40% Nitrogen, 110-PS1G Stadium Application - 110 PSIG	\$2,496.00
69900S50SA	Single Blend 50% CO ₂ - 50% Nitrogen, 110-PS1G Stadium Application - 110 PSIG	\$2,496.00
69900S70SAP	Single Blend 70% CO ₂ - 30% Nitrogen, 120-PS1G Stadium Application Plus - 120 PSIG	\$4,020.00
69900S60SAP	Single Blend 60% CO ₂ - 40% Nitrogen, Stadium 120-PS1G Application Plus - 120 PSIG	\$4,020.00
69900S50SAP	Single Blend 50% CO ₂ - 50% Nitrogen, Stadium 120-PS1G Application Plus - 120 PSIG	\$4,020.00



No. 67289

MCDANTIM CHECK VALVE TEES

Protect your McDantim Blender from filling with water. This occurs when the blender is on the same gas system as the soda carbonator and the CO2 supply fails or the carbonator doesn't have a back flow preventor.

Part No.	Description	List Price
67289	3/8" Check Valve Tee	\$ 67.00
67288	1/4" Check Valve Tee	\$ 64.00
67290	1/4" x 1/4" x 3/8" Check Valve Tee	\$ 67.00
67291	1/4" x 3/8" x 3/8" Check Valve Tee	\$ 67.00

VINYL BEVERAGE TUBING BLACK OR TRANSLUCENT

NSF APPROVED - FDA APPROVED MATERIALS



No. 1386BL

No. 1386TR

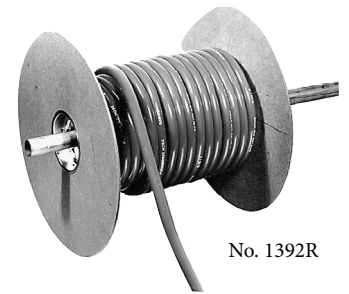
Sold in 100 foot reels only. Priced per foot.

Black Part No.	Translucent Part No.	Description	List Price		
			100 Feet	200-400 Feet	500-Over Feet
1384BL	1384TR	3/16" ID	\$ 1.10	\$ 1.00	\$ 0.90
1386BL	1386TR	1/4" ID	\$ 1.20	\$ 1.10	\$ 1.00
1387BL	1387TR	5/16" ID	\$ 1.30	\$ 1.20	\$ 1.10
1388BL	1388TR	3/8" ID	\$ 1.40	\$ 1.30	\$ 1.20
1390BL	1390TR	1/2" ID	\$ 1.60	\$ 1.50	\$ 1.40
1390D*	—	1/2" ID	\$ 1.60	\$ 1.50	\$ 1.40

* Anti-Microbial drain tubing resists bacterial growth and reduces offensive drain odors.

AIR TUBING RED OR TRANSLUCENT

Sold in 100 foot reels only. Priced per foot.



No. 1392R

Red Part No.	Translucent Part No.	Description	List Price		
			100 Feet	200-400 Feet	500-Over Feet
1392R	1392TR	5/16" ID	\$ 1.30	\$ 1.20	\$ 1.10



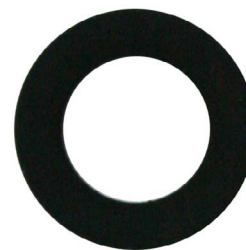
No. 2072



No. 2026

BRASS NICKEL-PLATED NUTS FOR POLY OR VINYL TUBING

Part No.	Description	List Price	List Price
		1-24	25-Over
2072	Wing nut	\$ 7.60	\$ 7.40
2026	Hex nut	\$ 1.70	\$ 1.60



No. 157R2P

COUPLING WASHERS

Bulk packed or in bags of 100.

Part No.	Description	List Price	List Price
		1-24	25-Over
157L2P	Leather washer	\$ 0.70	\$ 0.60
157R2P	Rubber washer	\$ 0.60	\$ 0.30

STAINLESS STEEL HOSE FITTINGS



No. C15179-1



No. C15182-1



No. C33040



No. C33041



No. C13090



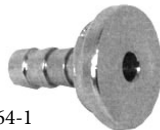
No. 67803



No. 67804

Part No.	Description	List Price
C15182-1	1/4" x 1/4" Hose union	\$ 4.30
67915	5/16" x 5/16" Hose union	\$ 4.50
57040	3/8" x 1/4" Hose union	\$ 5.30
C15179-1	3/8" x 3/8" Hose union	\$ 10.70
C13090	1/4" x 1/4" x 1/4" Tee	\$ 11.70
C33040	3/8" x 3/8" x 3/8" Tee	\$ 12.80
C33041	3/8" x 3/8" x 1/4" Tee	\$ 12.80
C33042	1/4" Male flare x 1/4" hose adapter	\$ 6.40
67803	1/2" 304SS U-Bend	\$ 14.40
67804	1/2" 304SS Elbow Splicer	\$ 14.40
67932	3/8" x 5/16" Hose Union	\$ 5.05

BRASS NICKEL-PLATED TAILPIECES FOR VINYL TUBING



No. 2064-1

Part No.	Description	List Price 1-24	List Price 25-Over
2064-1	For 3/16" ID vinyl	\$ 2.00	\$ 1.80
2065-1	For 1/4" ID vinyl	\$ 2.00	\$ 1.80
2068-1	For 5/16" ID vinyl	\$ 2.00	\$ 1.80
2066-1	For 3/8" ID vinyl	\$ 2.00	\$ 1.80
2067-1	For 1/2" ID vinyl	\$ 2.00	\$ 1.80

STRAIGHT SPLICERS FOR VINYL OR POLY TUBING



No. 2372

Part No.	Vinyl	Poly	List Price 1-24	List Price 25-Over
30748-1	—	3/16" to 1/4" ID	\$ 4.30	\$ 4.10
31075-1	—	3/16" to 5/16" ID	\$ 4.70	\$ 4.50
31076-1	3/16" to 1/4" ID	—	\$ 4.30	\$ 4.10
2372	3/16" to 3/8" ID	—	\$ 5.20	\$ 4.60
2373	1/4" to 1/4" ID	—	\$ 5.20	\$ 4.70
3094	1/4" to 5/16" ID	—	\$ 8.50	\$ 7.60
2374	1/4" to 3/8" ID	—	\$ 5.30	\$ 4.80
2375	3/8" to 3/8" ID	—	\$ 5.30	\$ 4.80

304SS TAILPIECE FOR POLY TUBING, STRAIGHTS AND ELBOWS, BARB TO BEER THREAD



No. 70173

Part No.	Description	List Price 1-24	List Price 25-Over
70174	Tailpiece, 3/8", Elbow	\$ 15.00	\$ 13.50
70173	Tailpiece, 5/16", Elbow	\$ 15.00	\$ 13.50
70172	Tailpiece, 1/4" Elbow	\$ 15.00	\$ 13.50
70116	Tailpiece, 3/8" Straight	\$ 9.30	\$ 8.37
70171	Tailpiece, 5/16" Straight	\$ 9.30	\$ 8.37
67748	Tailpiece, 1/4" Straight	\$ 9.30	\$ 8.37

TUBE CUTTER

Bulk packed



Part No.	Description	List Price	
		1-24	25-Over
1368	Tubing cutter	\$ 15.20	\$ 14.50

POLY BEVERAGE TUBING OPAQUE

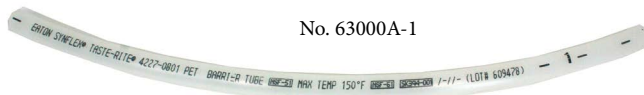
NSF APPROVED -
FDA APPROVED
MATERIALS



Sold in 100 foot reels only. Priced per foot.



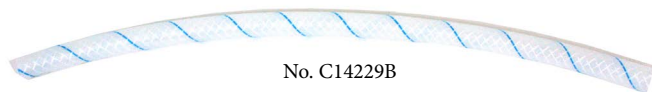
Part No.	Description	List Price		
		100-400 Feet	500-900 Feet	1000 Over Feet
6003	1/4" ID poly	\$ 0.50	\$ 0.40	\$ 0.30
6004	3/8" ID poly	\$ 0.70	\$ 0.60	\$ 0.60



BARRIER TUBING

Sold in 100 foot reels only. Priced per foot.

Part No.	Description	List Price		
		100-400 Feet	500-900 Feet	1000 Over Feet
63000A-1	3/8" ID	\$ 0.74	\$ 0.67	\$ 0.60



REINFORCED POLY TUBING

Sold in 100 foot reels only.

Part No.	Description	List Price
		Per 100 Feet
C14229B1	1/4" ID	\$ 90.90
C14230B1	3/8" ID	\$ 107.00



No. C15392



No. C13091-1N



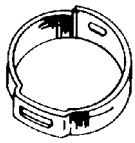
No. C24109-1



No. 61082-1

MISCELLANEOUS FITTINGS

Part No.	Description	List Price
C13091-1N	3/8" coolant loop	\$ 33.00
C24109-1	Stainless steel 3/8" elbow	\$ 37.00
C31573	Poly hanger strap kit	\$ 57.00
61082-1	Aluminum hanger bracket	\$ 4.80
C15392	Adhesive - 1/2" pint can	\$ 20.00



No. C33037



No. 32659-56



No. 3079

ONE EAR STEPLESS CLAMP

For Vinyl Tubing-Stainless Steel

Part No.	Tubing I.D.	Clamp No.	List Price 1-99	List Price 100+
43805-2	3/16" ID	133	\$ 0.82	\$ 0.72
43805-3	1/4" ID	145	\$ 0.82	\$ 0.72
C31958	5/16" ID	157	\$ 0.82	\$ 0.72
C33010	5/16" ID	170	\$ 0.82	\$ 0.72

ONE EAR STEPLESS CLAMP

For Poly Tubing-Stainless Steel

Part No.	Tubing I.D.	Clamp No.	List Price 1-99	List Price 100+
C33037	1/4" ID	140	\$ 0.82	\$ 0.72
C33053	1/4" ID bundle	105	\$ 0.82	\$ 0.72
C31958	3/8" ID	157	\$ 0.82	\$ 0.72
43805-3	3/8" ID bundle	145	\$ 0.82	\$ 0.72

ONE EAR CLAMP

For Vinyl Tubing - Steel

Part No.	Tubing I.D.	Clamp No.	List Price 1-99	List Price 100+
1359	3/16" ID	133	\$ 0.72	\$ 0.57
1360	1/4" ID	145	\$ 0.72	\$ 0.57
1361	5/16" ID	170	\$ 0.72	\$ 0.57
1362	3/8" ID	185	\$ 0.72	\$ 0.57
1363	1/2" ID	226	\$ 0.72	\$ 0.57

TWO EAR CLAMP

For Vinyl Tubing - Steel

Part No.	Tubing I.D.	Clamp No.	List Price 1-99	List Price 100+
43803-1	3/16" ID	13	\$ 0.82	\$ 0.52
43803-2	1/4" ID	15	\$ 0.82	\$ 0.52
43803-3	5/16" ID	18	\$ 0.82	\$ 0.52
43803-4	3/8" ID	20	\$ 0.82	\$ 0.52

PLASTIC SNAP CLAMPS

For Vinyl

Part No.	Tubing I.D.	List Price 1-99	List Price 100+
32659-43	3/16" ID	\$ 0.82	\$ 0.72
32659-56	5/16" ID	\$ 1.03	\$ 0.93

STAINLESS STEEL WORM DRIVE CLAMPS

Part No.	Tubing I.D.	List Price 1-99	List Price 100+
3079	3/16" to 3/8" ID	\$ 1.75	\$ 1.65
3080	3/8" to 1/2" ID	\$ 1.75	\$ 1.65

ONE EAR CRIMPING TOOL

Part No.	Description	List Price
1358	Pliers with cutout	\$ 60.00
43807-1	Pliers less cutout	\$ 53.00



No. 1358

No. 43806



OETIKER CLAMP POCKET KIT

Part No.	Description	List Price
43806	Pocket Kit (contains 15 each 3/16", 1/4" 5/16" and 3/8" clamps - 5 each 3/16" and 1/4" hose menders for vinyl tubing. 1 crimping tool.	\$ 144.00

VINYL CONNECTORS BLACK OR TRANSLUCENT

Bulk packed



No.43686-72TR

No. 552

Black Part No.	Translucent Part No.	Description	List Price 1-5	List Price 6-Over
529	529TR	3/16" x 3-1/2"	\$ 18.20	\$ 17.40
530	530TR	3/16" x 4'	\$ 18.30	\$ 17.70
532	532TR	3/16" x 5'	\$ 19.10	\$ 18.50
548	548TR	3/8" x 3'	\$ 30.20	\$ 29.40
550	550TR	3/8" x 4'	\$ 32.20	\$ 31.30
552	552TR	3/8" x 5'	\$ 33.30	\$ 32.60
554	554TR	3/8" x 6'	\$ 34.90	\$ 34.10
556	556TR	3/8" x 10'	\$ 41.50	\$ 40.60

Translucent Part No.	Description	List Price
43686-72TR	3/8" x 6' Fitting one end	\$ 15.90



No. 63634



No. 512A2

WALL BRACKETS

Part No.	Description	List Price 1-5	List Price 6-Over
512A2	Two threaded ends 3/8" bore	\$ 22.90	\$ 22.30
63634	Single stainless steel bracket 3/8" bore hose tailpiece both ends	\$ 7.30	\$ 7.00



No. 132B



No. 625-2



No. 43818-1

BEVERAGE LINE FITTINGS

Part No.	Description	List Price 1-5	List Price 6-Over
132B	Distributing Y 3/8" bore	\$ 42.10	\$ 40.20
625-2	Wall mount Y fitting 3/8" bore	\$ 60.10	\$ 58.20
43818-1	3/8" Bore stainless steel U bend Y fitting	\$ 16.10	\$ 15.60
43818-2	3/8" Bore stainless steel U bend Y fitting	\$ 16.10	\$ 15.60

Part No.	Description	List Each
63932	3/8" Bore stainless steel U bend Y fitting, less bracket	\$ 14.00



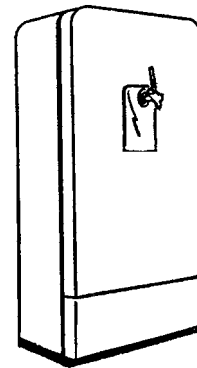
No. C15393

No. 15394

No. C15311

TAPES

Part No.	Description	List Each
C15393	6 yd. Roll - 1/2" filament tape	\$ 5.90
C15312	60 yd. Roll - 1/2" filament tape	\$ 22.30
C15394	6 yd. Roll - 2" clear polytape	\$ 11.00
C15311	36 yd. Roll - 2" clear polytape	\$ 42.10
C15699	6 yd. Roll - 2" black polytape	\$ 11.70
C15698	36 yd. Roll - 2" black polytape	\$ 48.00



REFRIGERATOR CONVERSION KITS

Converts a working refrigerator into a draft beer dispenser. Kit Includes a single gauge regulator, 5 lb. CO₂ drum, air line, beer-faucet with shank, tapping coupler and all necessary fittings.

Part No.	Description	List Price
23875A	For single valve kegs	\$ 517.80

tubing, fittings & etc.



SPLIT LEG APRON

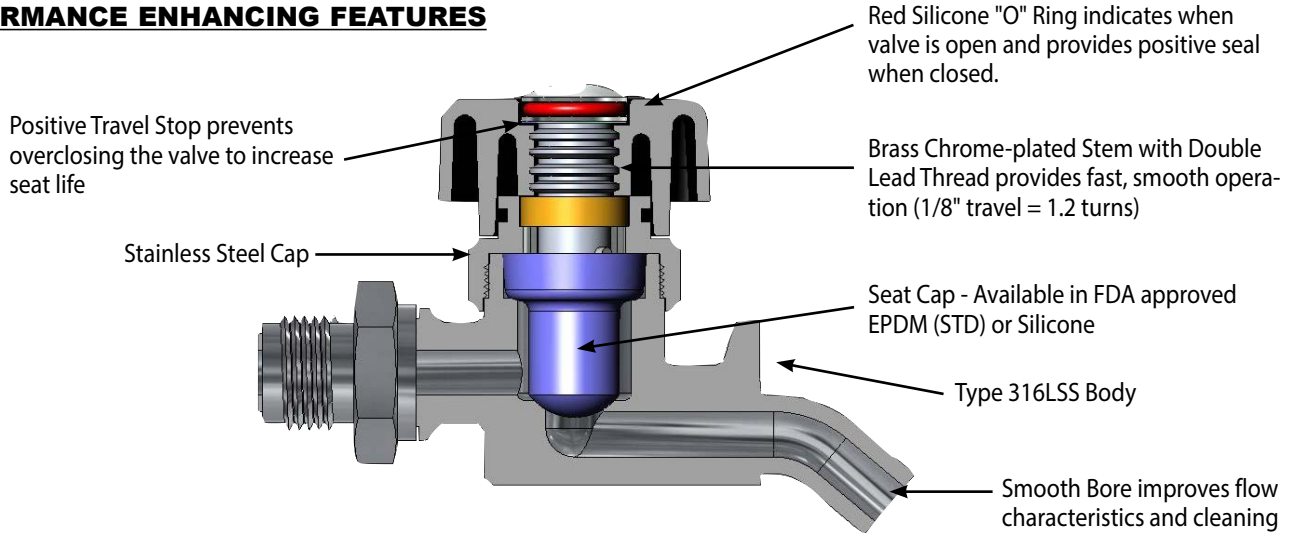
Ideal for heavy work. Waterproof, rubberized thigh pads. Tough, durable and water repellent. Roomy divided breast pocket. Adjustable shoulder and waist straps. Riveted, double-stitched patches. 28" Long x 36" Wide.

Part No.	Description	List Price
3410	Split leg apron	\$ 109.80

SAMPLING VALVES

Available with Sanitary Thread, Male Taper Pipe Thread or Tri-clamp Ends and **your choice of a Molded Black Handle or Machined Solid Amber Handle.**

PERFORMANCE ENHANCING FEATURES



Pressure Rating 150 P.S.I.G.

brewery fittings - sampling valves

66

Bacteria-proof Thread

Part No.	Description
F38300SS	Sample Valve w/ Stainless Steel handle and bacteria-proof thread
F11284-1	Fibre Washer

CALL FOR PRICING



Male Pipe Thread

Part No.	Description
F38301SS	Sample Valve w/ Stainless Steel handle and 1/8" male NPT
F38302SS	Sample Valve w/ Stainless Steel handle and 1/4" male NPT
F38303SS	Sample Valve w/ Stainless Steel handle and 3/8" male NPT

CALL FOR PRICING



Tri-Clamp

Part No.	Description
F38304SS	Sample Valve w/ Stainless Steel handle and 1/2" Tri-Clamp end
F38305SS	Sample Valve w/ Stainless Steel handle and 1-1/2" Tri-Clamp end
F38306SS	Sample Valve w/ Stainless Steel handle and 2" Tri-Clamp end

CALL FOR PRICING

Replacement Parts for ALL VALVES

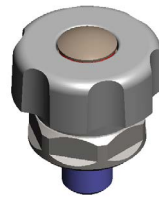
Part No.	Description
F38252SS	Bonnet Assembly w/ Stainless Steel Handle
F38229-1	EPDM Seat Cup
F38229-2	Silicone Seat Cup
F38230-1	Silicone "O" Ring

CALL FOR PRICING

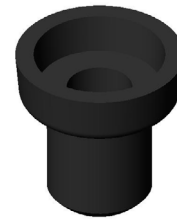
Accessories for ALL VALVES

Part No.	Description
F38250SS	Wrench
F38459-1SS	Heat Shield
F38244SS532	Capping Device
F38245SS532	Locking Capping Device
F2272SS540	5 Turn Proof Coil (pigtail)*
F2272HSS540	15 Turn Proof Coil (pigtail)*
F1260	Gasket (pigtail)

***NOTE:** 5 Turn Proof Coil (shown right) and 15 Turn Proof Coil are in stock. Others are available upon application.



F38252SS



F38229-1



F38230-1



F38250SS



F38459-1SS



F38244SS532



F2272SS540



F38245SS532



F2272HSS540



F16363SS540



F16364SS540



F1005-1SS540



F34808SS540

Sample Valve Attachment for 3/8" I.D. Hose

Part No.	Description
F16363SS540	Attachment, points down
F16364SS540	Attachment, points up

CALL FOR PRICING

Sample Valve Attachment with 1/4" Female N.P.T.

Part No.	Description
F1005-1SS540	Attachment, points up
F34808SS540	Attachment, points down

**Keofitt Sampling Valves
NOW AVAILABLE AT PERLICK**
Call for more info



WELD-IN TANK ADAPTERS

316LSS Sampling Valve Tank Adapters for F38300SS and F38300SSAMBER Sampler Valves.



Contoured Sampling Valve Tank Adapter



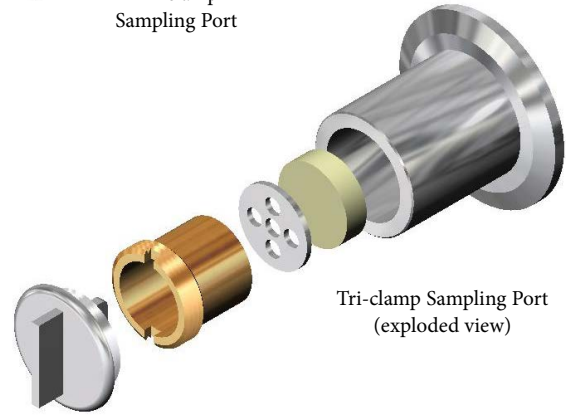
Flat Back Sampling Valve Tank Adapter

TRI-CLAMP SAMPLING PORT

For use with needle extractions. Call for available connections.



Tri-clamp Sampling Port



Tri-clamp Sampling Port (exploded view)

CONTOURED to fit schedule 5 pipe from 1-1/2" through 10" sizes.

Part No.	Size
F23847-1SS540	1-1/2"
F23847-2SS540	2"
F23847-3SS540	2-1/2"
F23847-4SS540	3"
F23847-6SS540	4"
F23847-8SS540	6"
F23847-9SS540	8"
F23847-10SS540	10"

68

FLAT BACK Adapter - No Contour

Part No.
F32428-2SS540

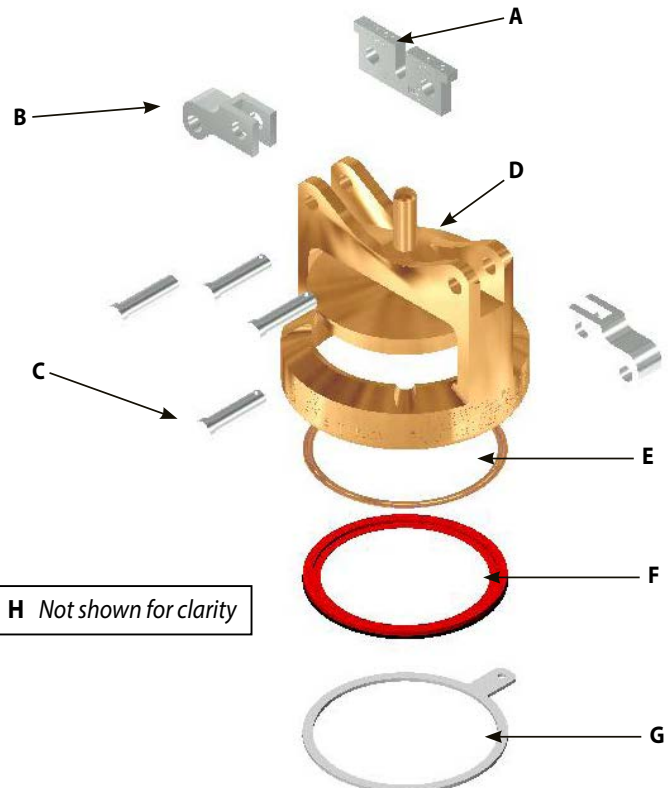
CLAMP TYPE Adapter

Part No.
F157255588

Relief Valve Replacement Parts

Part No.	Description
A F1732A508	Breaking Bar Rating Per Equipment
B F18450-2-507	Bar Holder (2)
C F1723-507	Pins (4)
D F1715A503	Body
E F2109	Bead Ring
F F1722	Diaphragm
G F38360-1	Keeper Ring
H F2108	Seal Wire (<i>not shown above</i>)

CALL FOR PRICING



H Not shown for clarity

tank adapters & relief valve replacement parts

Perfect fit, perfect pour.

The NEW Perlick Dual-Zone Wine Center (DZS36) has been specially designed to fit under a typical bar and features side-mounted refrigeration to reduce cabinet depth, making it a perfect fit for both new construction and retrofit applications. So even with limited space, your customers can capitalize on the growing demand for wine-by-the-glass.

direct draw refrigeration



NEW! Dual-Zone 36-inch Wine Center offers wine storage and tapping options in a more compact size.



Shown: DZS36 Dual-Zone Wine Center with wine tapping.

- Features two compartments to provide one digitally controlled temperature for white wines and another for reds.
- Each compartment holds two 1/6 kegs.
- Available tapping kits feature WineCertified sanitary 304 stainless steel components to protect the delicate flavors of fine vintages.

Part No.	Description	List Price
DZS36QC	Single door wine and beer dispenser - consisting of DZS36 w/ two 2 faucet draft arm (67945W-2DA), four 3-3/4" casters (55786)	\$ 8,618.00

DIRECT DRAW REFRIGERATION



DDS36QC

Part No.	Description	List Price
DDS36QC	Single door direct draw beer dispenser with tapping - consisting of DDS36 w/ one 1 faucet draft arm (69526-1DA), four 3-3/4" casters (55786)	\$ 4,599.00

DDS60QC

Part No.	Description	List Price
DDS60QC	Two door direct draw beer dispenser with tapping - consisting of DDS60 w/ one 2 faucet draft arm (69526-2DA), four 3-3/4" casters (55786)	\$ 6,993.00

direct draw refrigeration



DDS84QC

Part No.	Description	List Price
DDS84QC	Three door direct draw beer dispenser with tapping - consisting of DDS84 w/ one 1 faucet draft arm (69526-1DA), one 2 faucet draft arm (69526-2DA) six 3-3/4" casters (55787)	\$ 7,747.00

DDS108QC

Part No.	Description	List Price
DDS108QC	Four door direct draw beer dispenser with tapping - consisting of DDS108 w/ two 2 faucet draft arm (69526-2DA), six 3-3/4" casters (55787)	\$ 9,673.00

NOTE: The optional handles are on all the units shown.



8300 WEST GOOD HOPE ROAD • MILWAUKEE, WI 53223
PERLICK.COM • (800) 558-5592