



Compression Sleeve Puller

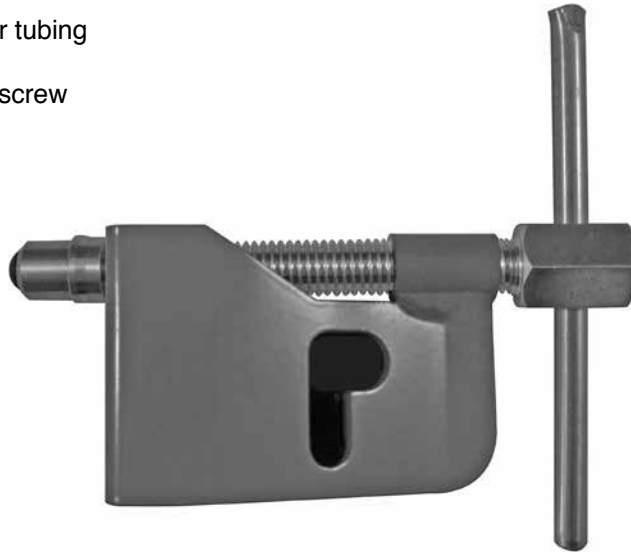
Heavy duty - For 1/2" copper tubing

- Fully machined body and screw
- Designed by plumbing professionals
- Use 3/4" socket

All New Design!



shown in use

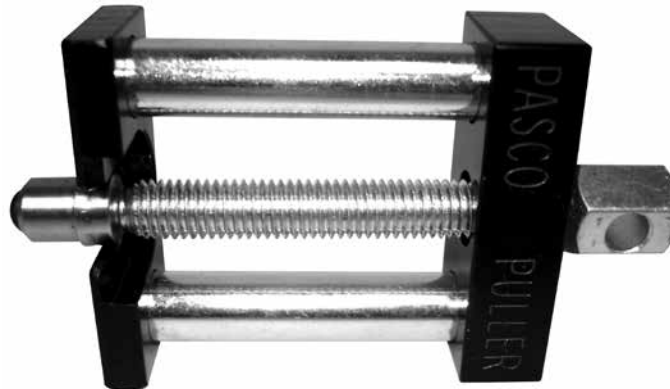


PART NUMBER
4661

Compression Sleeve Puller

Heavy duty - For 1/2" copper tubing

- Use 3/8" ratchet with 3/4" socket
- Removes compressed brass sleeves
- Precision machined
- Extremely durable
- Designed by plumbing professionals



PART NUMBER
4665

Compression Sleeve Puller Bullet Nose

Heavy duty - For 1/2" copper tubing

- Sleeve puller and handle sold separately
- Includes screw

New!



Re-designed bullet nose
will not pull off

PART NUMBER
4664