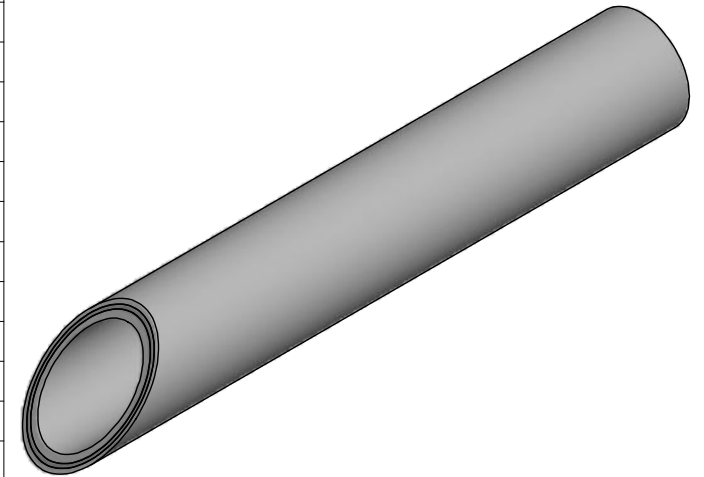


CODE	SDR	ND	D	S min	Di	Weight (lbs/ft)
27TNIRCL2073	7.3	1/2" => 20 mm	0.79	0.11	0.57	0.11
27TNIRCL2573	7.3	3/4" => 25 mm	0.98	0.14	0.71	0.17
27TNIRCL3273	7.3	1" => 32 mm	1.26	0.17	0.91	0.27
27TNIRCL4073	7.3	1" 1/4" => 40 mm	1.57	0.22	1.14	0.50
27TNIRCL5073	7.3	1" 1/2" => 50 mm	1.97	0.27	1.43	0.78
27TNIRCL6373	7.3	2" => 63 mm	2.48	0.34	1.80	1.21
27TNIRCL7573	7.3	2" 1/2" => 75 mm	2.95	0.41	2.14	1.72
27TNIRCL9073	7.3	3" => 90 mm	3.54	0.48	2.57	2.46
27TNIRCL11073	7.3	4" => 110 mm	4.33	0.59	3.14	3.69
27TNIRCL12573	7.3	5" => 125 mm	4.92	0.67	3.57	4.72
27TNIRCL16073	7.3	6" => 160 mm	6.30	0.86	4.57	7.67
27TNIRCL20073	7.3	8" => 200 mm	7.87	1.08	5.72	10.43
27TNIRCL25073	7.3	10" => 250 mm	9.84	1.35	7.15	16.33
27TNIRCL31573	7.3	12" => 315 mm	12.40	1.70	9.00	25.70
27TNIRCL35573	7.3	14" => 355 mm	13.98	1.91	10.16	32.34



NIRON



ITEM: **TNIRCL**

DESC: NIRON MULTI CLIMA PP-RCT PIPE

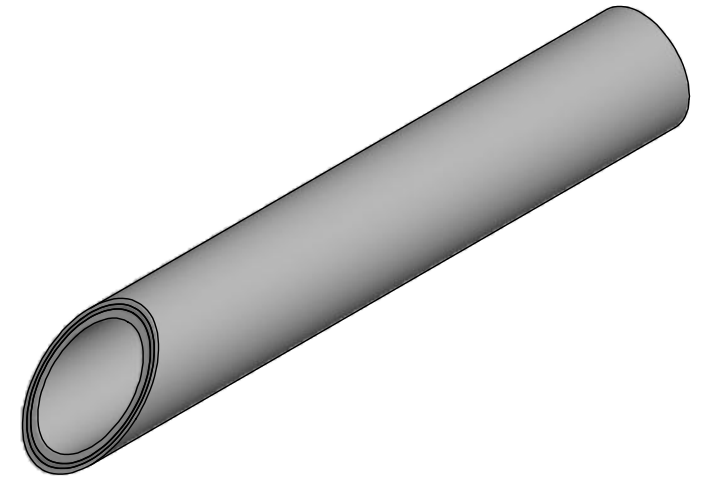
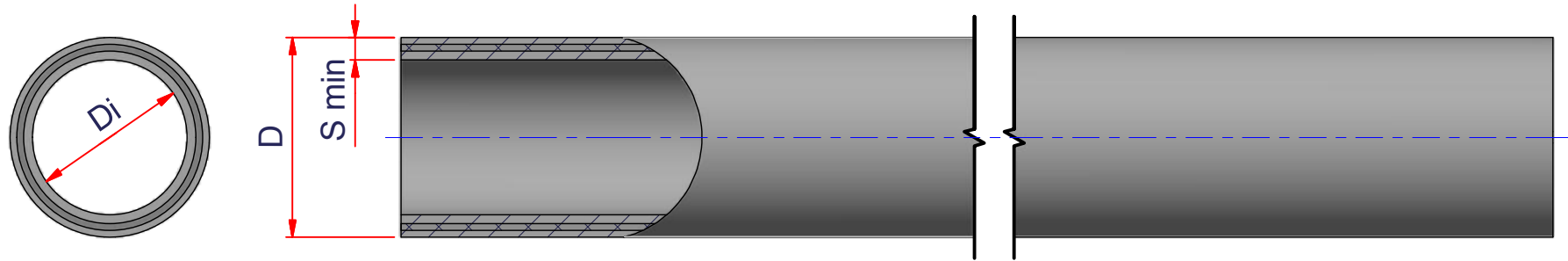


DRAWING No:
NI10169

SHEET OF	REV.
1 4	-5

www.nupiamericas.com - info@nupiamericas.com

All dimensions have to be considered in inches with 5% tolerance if not otherwise mentioned excluding values as per standard ASTM F2389



CODE	SDR	ND	D	S min	Di	Weight (lbs/ft)
27TNIRCL329	9	1" => 32 mm	1.26	0.14	0.98	0.22
27TNIRCL409	9	1" 1/4 => 40 mm	1.57	0.18	1.22	0.35
27TNIRCL509	9	1" 1/2 => 50 mm	1.97	0.22	1.53	0.54
27TNIRCL639	9	2" => 63 mm	2.48	0.28	1.92	0.84
27TNIRCL759	9	2" 1/2 => 75 mm	2.95	0.33	2.29	1.19
27TNIRCL909	9	3" => 90 mm	3.54	0.40	2.75	1.71
27TNIRCL1109	9	4" => 110 mm	4.33	0.48	3.36	2.54
27TNIRCL1259	9	5" => 125 mm	4.92	0.55	3.82	3.29
27TNIRCL1609	9	6" => 160 mm	6.30	0.70	4.89	5.17

NIRON



ITEM: **TNIRCL**

DESC: NIRON MULTI CLIMA PP-RCT PIPE

C:\Vault_Temp\Disegn\ISchede Tecniche\Niron Grey inches\Multilayer Pipes\NI10169.dwg

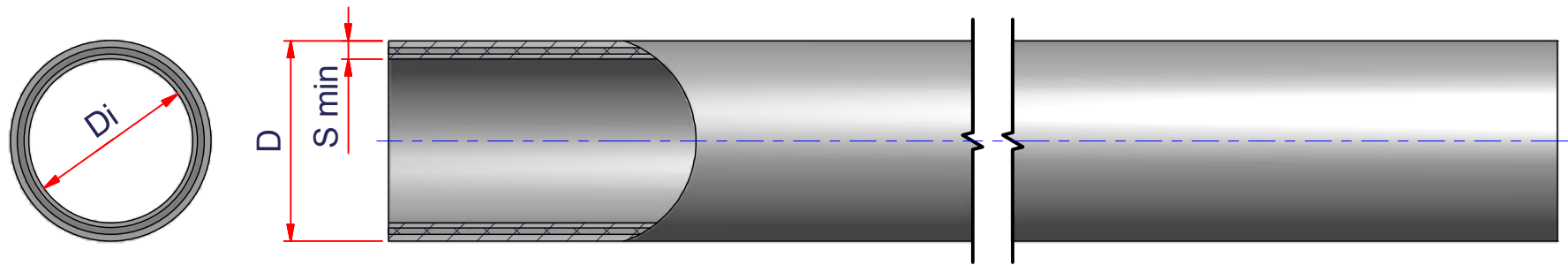


DRAWING No:
NI10169

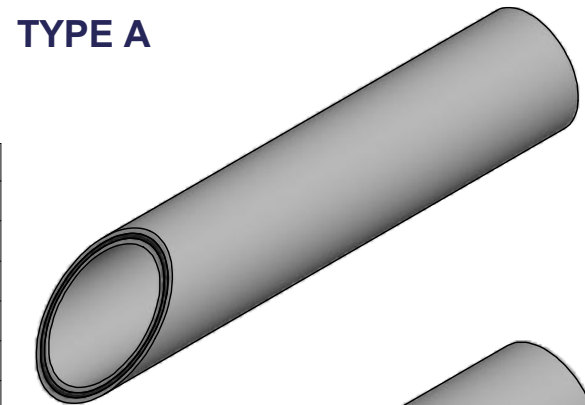
SHEET OF	REV.
2 4	-5

www.nupiamericas.com - info@nupiamericas.com

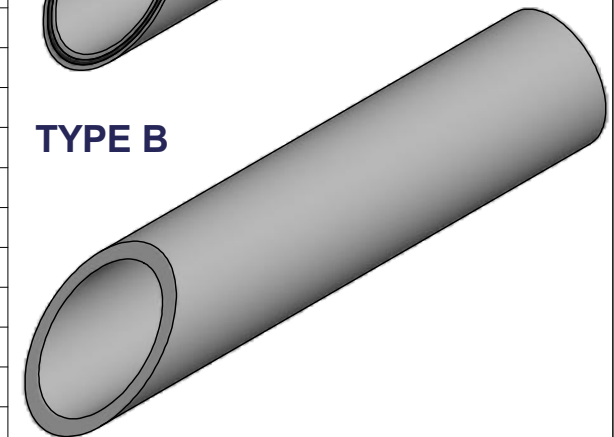
All dimensions have to be considered in inches with 5% tolerance if not otherwise mentioned excluding values as per standard ASTM F2389



TYPE A



TYPE B



CODE	TYPE	SDR	ND	D	S min	Di	Weight (lbs/ft)
27TNIRCL4011	A	11	1" 1/4 => 40 mm	1.57	0.15	1.28	0.30
27TNIRCL5011	A	11	1" 1/2 => 50 mm	1.97	0.18	1.61	0.46
27TNIRCL6311	A	11	2" => 63 mm	2.48	0.23	2.02	0.71
27TNIRCL7511	A	11	2" 1/2 => 75 mm	2.95	0.27	2.42	0.99
27TNIRCL9011	A	11	3" => 90 mm	3.54	0.32	2.90	1.42
27TNIRCL11011	A	11	4" => 110 mm	4.33	0.39	3.54	2.12
27TNIRCL12511	A	11	5"=> 125 mm	4.92	0.45	4.02	2.75
27TNIRCL16011	A	11	6" => 160 mm	6.30	0.57	5.15	4.45
27TNIRCL20011	A	11	8" => 200 mm	7.87	0.72	6.44	6.94
27TNIRCL25011	A	11	10" => 250 mm	9.84	0.89	8.06	10.71
27TNIRCL31511	A	11	12" => 315 mm	12.40	1.13	10.15	16.93
27TNIRCL35511	A	11	14" => 355 mm	13.98	1.27	11.44	21.46
27TNIRCL40011	A	11	16" => 400 mm	15.75	1.43	12.89	27.09
27TNIRCL45011	B	11	18" => 450 mm	17.72	1.61	14.50	33.57
27TNIRCL50011	B	11	20" => 500 mm	19.69	1.79	16.11	41.32



ITEM: **TNIRCL**

DESC: NIRON MULTI CLIMA PP-RCT PIPE

C:\Vault_Temp\Disegn\ISchede Tecniche\Niron Grey inches\Multilayer Pipes\NI10169.dwg

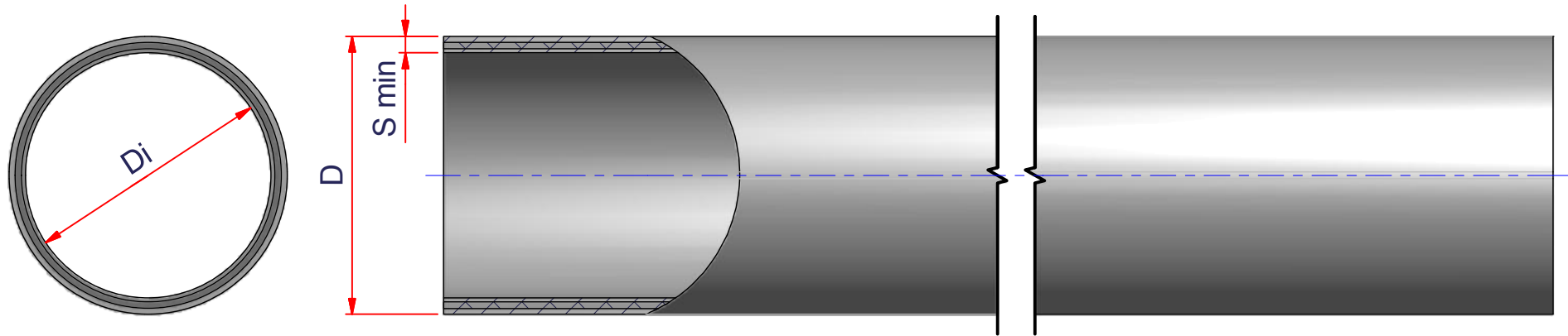


DRAWING No:
NI10169

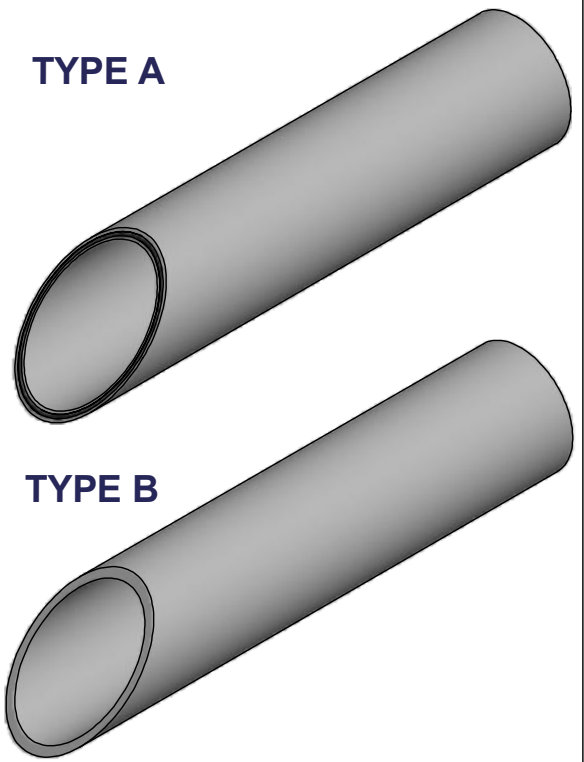
SHEET OF	REV.
3 4	-5

www.nupiamericas.com - info@nupiamericas.com

All dimensions have to be considered in inches with 5% tolerance if not otherwise mentioned excluding values as per standard ASTM F2389



CODE	TYPE	SDR	ND	D	S min	Di	Weight (lbs/ft)
27TNIRCL6317	A	17	2" => 63 mm	2.48	0.15	2.18	0.48
27TNIRCL7517	A	17	2" 1/2 => 75 mm	2.95	0.18	2.60	0.69
27TNIRCL9017	A	17	3" => 90 mm	3.54	0.21	3.12	0.98
27TNIRCL11017	A	17	4" => 110 mm	4.33	0.26	3.81	1.45
27TNIRCL12517	A	17	5"=> 125 mm	4.92	0.29	4.34	1.86
27TNIRCL16017	A	17	6" => 160 mm	6.30	0.37	5.55	3.04
27TNIRCL20017	A	17	8" => 200 mm	7.87	0.47	6.94	4.74
27TNIRCL25017	A	17	10" => 250 mm	9.84	0.58	8.68	7.32
27TNIRCL31517	A	17	12" => 315 mm	12.40	0.74	10.93	11.60
27TNIRCL35517	A	17	14" => 355 mm	13.98	0.83	12.31	14.67
27TNIRCL40017	A	17	16" => 400 mm	15.75	0.93	13.88	18.55
27TNIRCL45017	B	17	18" => 450 mm	17.72	1.05	15.61	23.41
27TNIRCL50017	B	17	20" =>500 mm	19.69	1.17	17.35	28.83
27TNIRCL56017	B	17	22" => 560 mm	22.05	1.31	19.43	35.97
27TNIRCL63017	B	17	24" => 630 mm	24.80	1.47	21.86	45.43



TYPE A : MULTILAYER PIPE
 TYPE B: MONOLAYER PIPE 6% FIBER REINFORCED



ITEM: TNIRCL

DESC: NIRON MULTI CLIMA PP-RCT PIPE



DRAWING No:
NI10169

SHEET OF	REV.
4 4	-5

www.nupiamericas.com - info@nupiamericas.com

All dimensions have to be considered in inches with 5% tolerance if not otherwise mentioned excluding values as per standard ASTM F2389