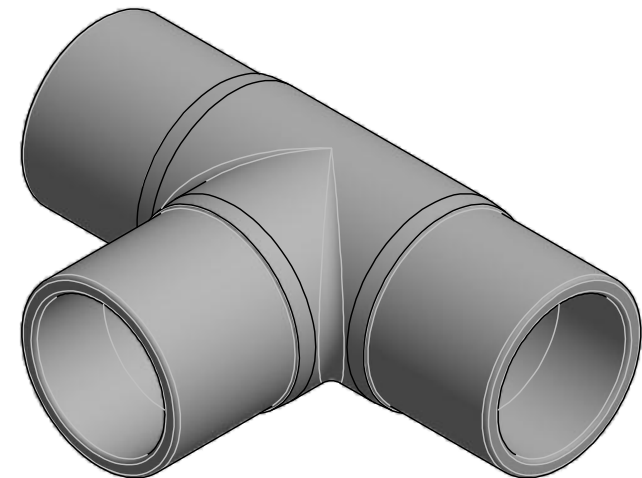


CODE	ND	S	L1	L2
27NT1163MM	2" => 63 mm	0.23	2.76	4.72
27NT1175MM	2" 1/2 => 75 mm	0.27	2.95	5.12
27NT1190MM	3" => 90 mm	0.32	3.54	5.85
27NT11110MM	4" => 110 mm	0.39	3.43	6.30
27NT11125MM	5" => 125 mm	0.45	3.74	7.28
27NT11160MM	6" => 160 mm	0.58	4.33	8.54
27NT11200MM	8" => 200 mm	0.72	4.61	9.84
27NT11315MMA	12" => 315 mm	1.13	6.69	14.96



**NIRON**



ITEM: **NT11\_MM**

C:\Vault\_Temp\Disegn\ISchede Tecniche\Niron Grey inches\Butt Fusion Fittings\NI10208.dwg

DESC: TEE - LONG SPIGOT SDR 11

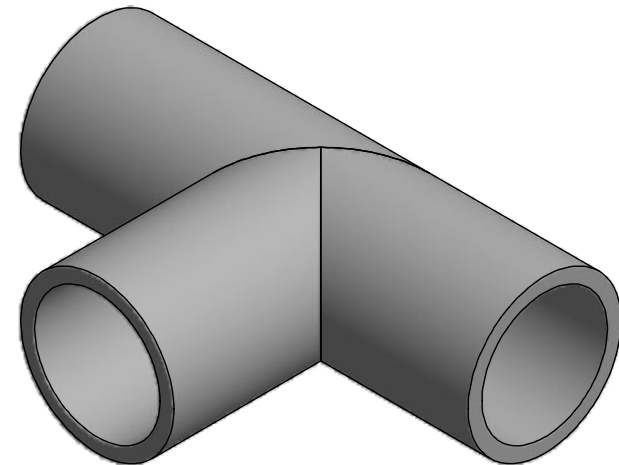
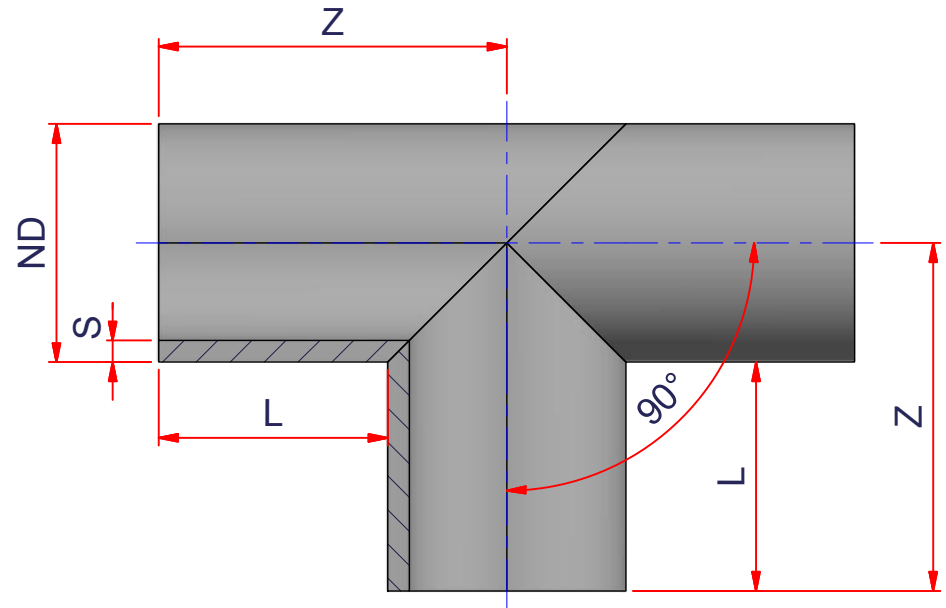


DRAWING No:  
**NI10208**

SHEET OF	REV.
1 3	-7

www.nupiamericas.com - info@nupiamericas.com

All dimensions have to be considered in inches with 5% tolerance if not otherwise mentioned excluding values as per standard ASTM F2389



CODE	ND	S	L1	Z
27NT11250MMB	10" => 250 mm	0.89	9.84	14.76
27NT11315MMB	12" => 315 mm	1.13	11.81	18.11
27NT11355MMB	14" => 355 mm	1.28	11.81	18.90
27NT11400MMB	16" => 400 mm	1.43	11.81	19.69
27NT11450MMB	18 " => 450 mm	1.61	11.81	20.67
27NT11500MMB	20" => 500 mm	1.81	13.78	23.62

**NIRON**



ITEM:  
**NT11\_MMB**

C:\Vault\_Temp\Disegn\ISchede Tecniche\Niron Grey inches\Butt Fusion Fittings\NI10208.dwg

DESC: TEE - LONG SPIGOT SDR 11

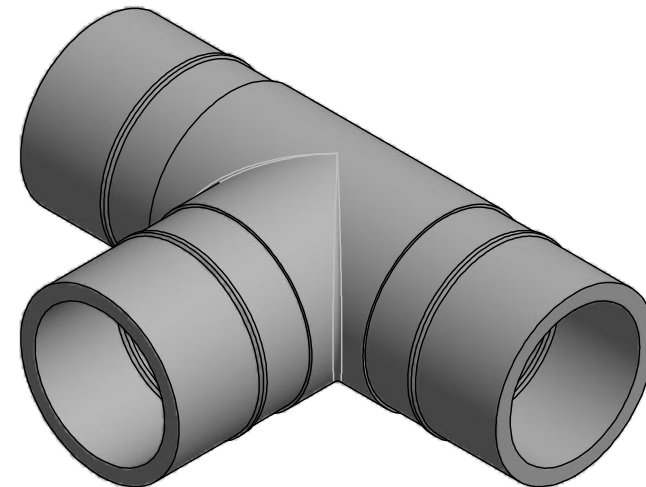
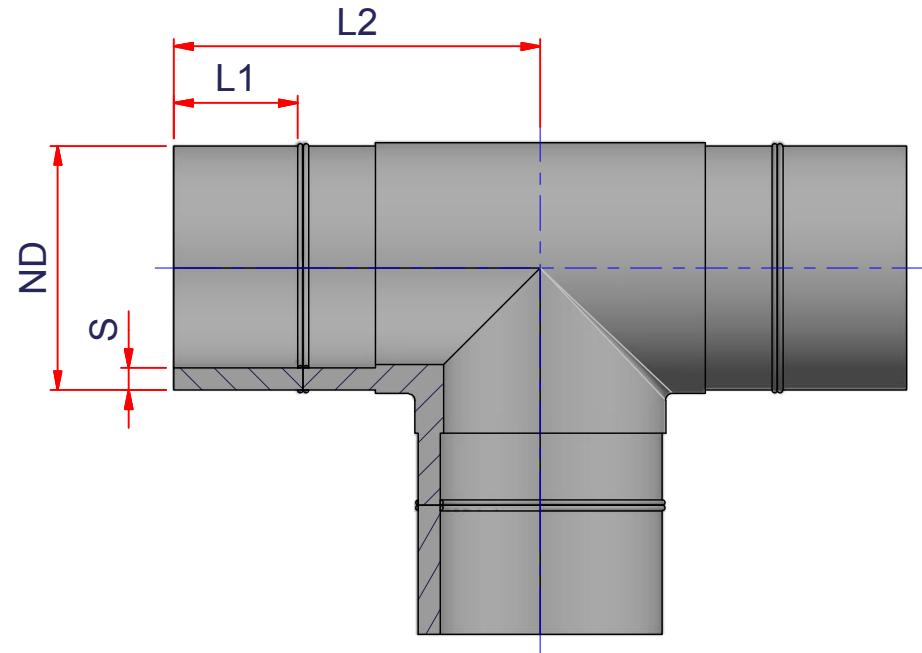


DRAWING No:  
**NI10208**

SHEET OF	REV.
2 3	-7

www.nupiamericas.com - info@nupiamericas.com

All dimensions have to be considered in inches with 5% tolerance if not otherwise mentioned excluding values as per standard ASTM F2389



CODE	ND	S	L1	L2
27NT11355MMC	14" => 355 mm	1.27	7.09	20.98
27NT11400MMC	16" => 400 mm	1.43	7.87	22.05
27NT11450MMC	18" => 450 mm	1.61	8.66	26.77

**NIRON**



ITEM:  
**NT11\_MMC**

C:\Vault\_Temp\Disegn\ISchede Tecniche\Niron Grey inches\Butt Fusion Fittings\NI10208.dwg

DESC: TEE - LONG SPIGOT SDR 11



DRAWING No:  
**NI10208**

SHEET OF	REV.
3 3	-7

www.nupiamericas.com - info@nupiamericas.com

All dimensions have to be considered in inches with 5% tolerance if not otherwise mentioned excluding values as per standard ASTM F2389