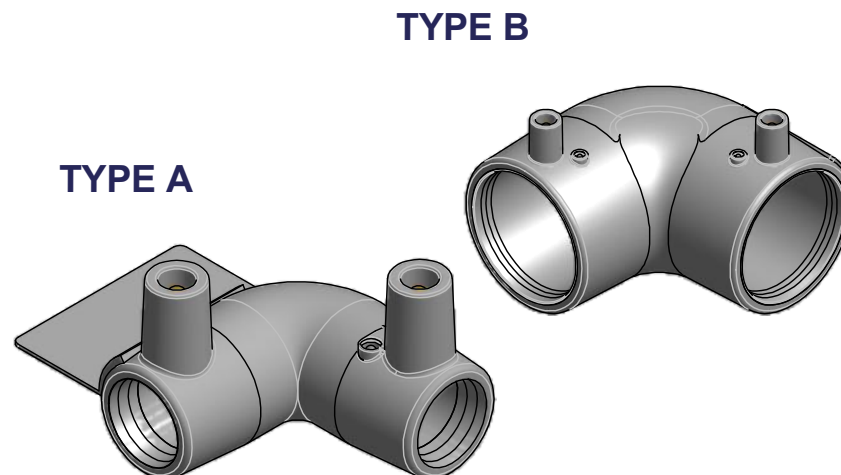


| CODE | ND | L1 | L2 | L | H |
|---------------|-----------------|------|------|------|------|
| 27NGEM20 (A) | 1/2" => 20 mm | 1.34 | 1.99 | 2.05 | 3.76 |
| 27NGEM25 (A) | 3/4" => 25 mm | 1.46 | 2.13 | 2.24 | 4.02 |
| 27NGEM32 (B) | 1" => 32 mm | 1.34 | 2.26 | 2.52 | 3.15 |
| 27NGEM40 (B) | 1" 1/4 => 40 mm | 1.61 | 2.56 | 2.87 | 3.60 |
| 27NGEM50 (B) | 1" 1/2 => 50 mm | 1.89 | 3.03 | 3.31 | 4.31 |
| 27NGEM63 (B) | 2" => 63 mm | 2.09 | 3.46 | 3.94 | 5.08 |
| 27NGEM75 (B) | 2" 1/2 => 75 mm | 2.28 | 3.82 | 4.33 | 5.59 |
| 27NGEM90 (B) | 3" => 90 mm | 3.07 | 4.69 | 5.24 | 6.93 |
| 27NGEM110 (B) | 4" => 110 mm | 3.27 | 5.67 | 6.46 | 8.43 |
| 27NGEM125 (B) | 5" => 125 mm | 3.46 | 6.20 | 7.09 | 9.33 |



NIRON



ITEM: **NGEM**

DESC: ELECTROFUSION 90° ELBOW
SDR 11



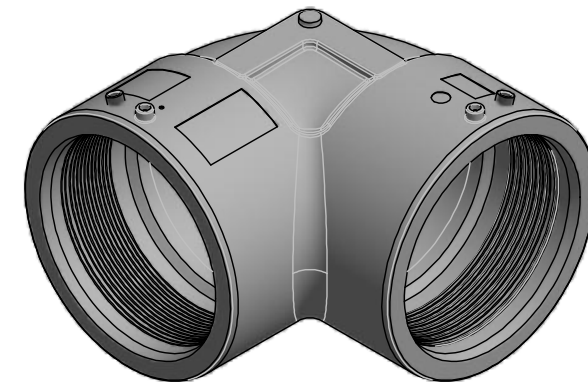
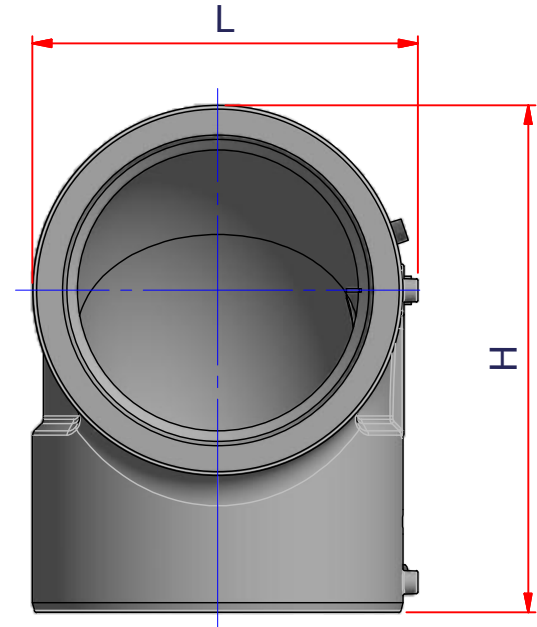
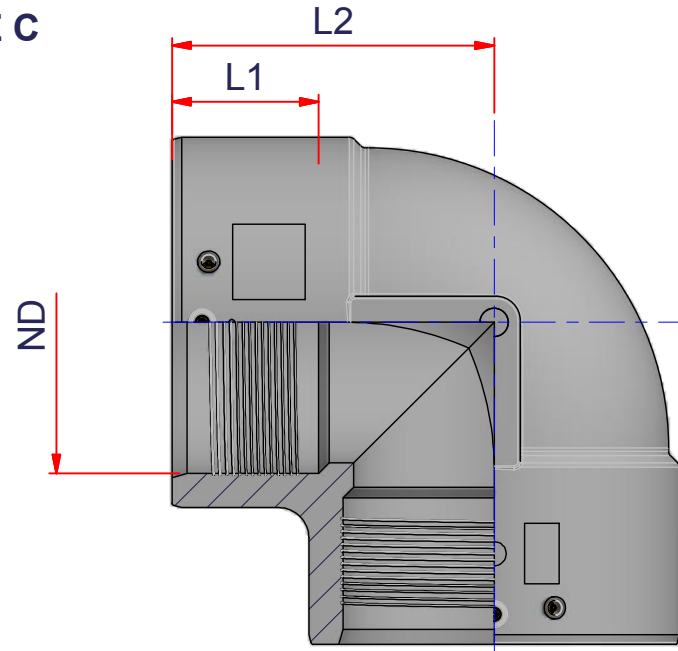
DRAWING No:
NI10161

| | |
|----------|------|
| SHEET OF | REV. |
| 1 2 | -5 |

www.nupiamericas.com - info@nupiamericas.com

All dimensions have to be considered in inches with 5% tolerance if not otherwise mentioned excluding values as per standard ASTM F2389

TYPE C



| CODE | ND | L1 | L2 | L | H |
|---------------|--------------|------|------|------|-------|
| 27NGEM160 (C) | 6" => 160 mm | 3.54 | 6.81 | 8.29 | 10.67 |
| 27NGEM200 (C) | 8" => 200 mm | 4.04 | 8.39 | 9.98 | 13.15 |



ITEM: **NGEM**

DESC: ELECTROFUSION 90° ELBOW
SDR 11



DRAWING No:
NI10161

| | |
|----------|------|
| SHEET OF | REV. |
| 2 2 | -5 |

www.nupiamericas.com - info@nupiamericas.com

All dimensions have to be considered in inches with 5% tolerance if not otherwise mentioned excluding values as per standard ASTM F2389