

CODE	ND	S	L1	L2	H
27NG907363MM	2" => 63 mm	0.34	2.76	4.72	6.06
27NG907375MM	2" 1/2 => 75 mm	0.41	2.95	5.12	6.73
27NG907390MM	3" => 90 mm	0.48	3.54	5.85	7.76
27NG9073110MM	4" => 110 mm	0.59	3.43	6.30	8.70
27NG9073125MM	5" => 125 mm	0.67	3.74	7.24	9.84
27NG9073160MM	6" => 160 mm	0.86	4.33	8.54	11.93

NIRON



ITEM:
NG9073_MM

C:\Vault_Temp\Disegn\ISchede Tecniche\Niron Grey inches\Butt Fusion Fittings\NI10203.dwg

DESC: 90° ELBOW - LONG SPIGOT SDR 7.3



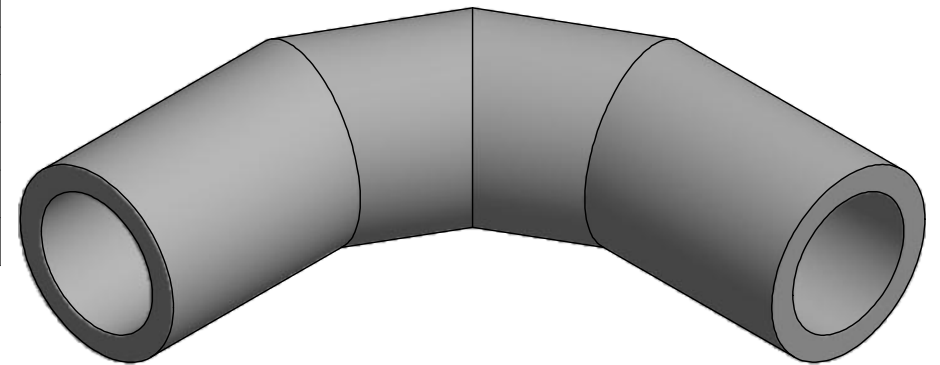
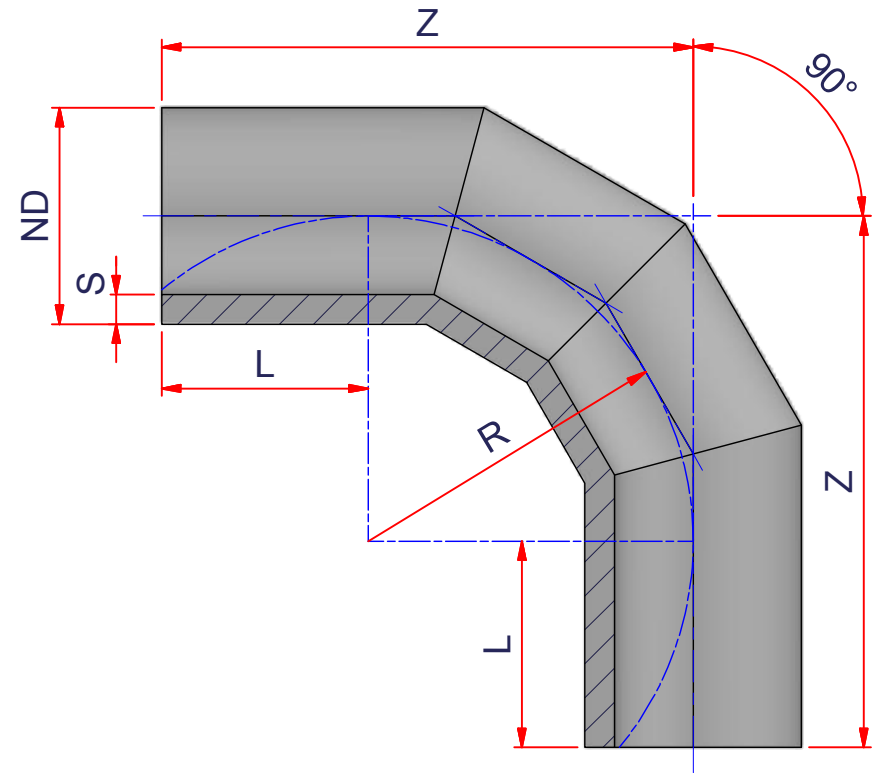
DRAWING No:
NI10203

SHEET OF	REV.
1 2	-9

www.nupiamericas.com - info@nupiamericas.com

All dimensions have to be considered in inches with 5% tolerance if not otherwise mentioned excluding values as per standard ASTM F2389

CODE	ND	S	L	Z	R
27NG907363MMB	2" => 63 mm	0.34	4.33	6.50	3.72
27NG907375MMB	2" 1/2 => 75 mm	0.41	4.33	7.68	4.43
27NG907390MMB	3" => 90 mm	0.48	4.33	9.64	5.31
27NG9073110MMB	4" => 110 mm	0.59	5.91	12.40	6.50
27NG9073125MMB	5" => 125 mm	0.67	4.92	12.00	7.09
27NG9073160MMB	6" => 160 mm	0.86	5.91	15.35	9.45
27NG9073200MMB	8" => 200 mm	1.08	5.91	17.72	11.81
27NG9073250MMB	10" => 250 mm	1.35	9.84	24.61	14.76
27NG9073315MMB	12" => 315 mm	1.70	11.81	30.43	18.62
27NG9073355MMB	14" => 355 mm	1.91	11.81	32.80	20.98



NIRON



ITEM:
NG9073_MMB

C:\Vault_TemplDisegn\ISchede Tecniche\Niron Grey inches\Butt Fusion Fittings\NI10203.dwg

DESC: 90° ELBOW - LONG SPIGOT SDR 7.3



DRAWING No:
NI10203

SHEET OF	REV.
2 2	-9

www.nupiamericas.com - info@nupiamericas.com

All dimensions have to be considered in inches with 5% tolerance if not otherwise mentioned excluding values as per standard ASTM F2389