

CODE	ND	S	L1	L2	H
27NG901163MM	2" => 63 mm	0.15	2.76	4.72	6.06
27NG901175MM	2" 1/2 => 75 mm	0.18	2.95	5.12	6.73
27NG901190MM	3" => 90 mm	0.21	3.54	5.84	7.76
27NG9011110MM	4" => 110 mm	0.26	3.43	6.30	8.70
27NG9011125MM	5" => 125 mm	0.29	3.74	7.24	9.84
27NG9011160MM	6" => 160 mm	0.37	4.33	8.27	11.93
27NG9011200MM	8" => 200 mm	0.47	4.61	9.84	14.04
27NG9011250MM	10" => 250 mm	0.58	5.31	12.00	17.13
27NG9011315MMA	12" => 315 mm	0.74	6.81	14.69	20.87

**NIRON**



ITEM:  
**NG9017\_MM**

C:\Vault\_Temp\Disegn\ISchede Tecniche\Niron Grey inches\Butt Fusion Fittings\NI10209.dwg

DESC: 90° ELBOW - LONG SPIGOT SDR 17

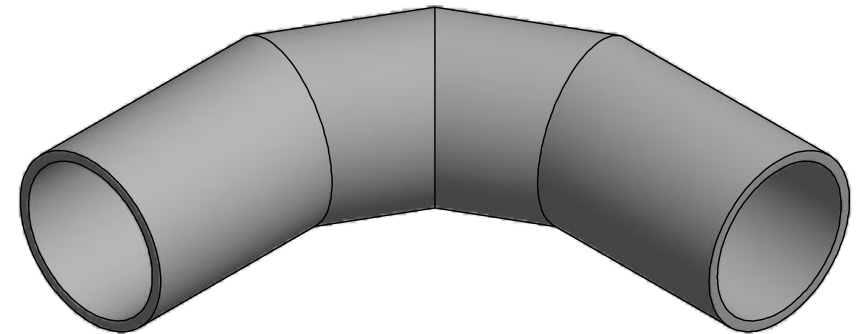
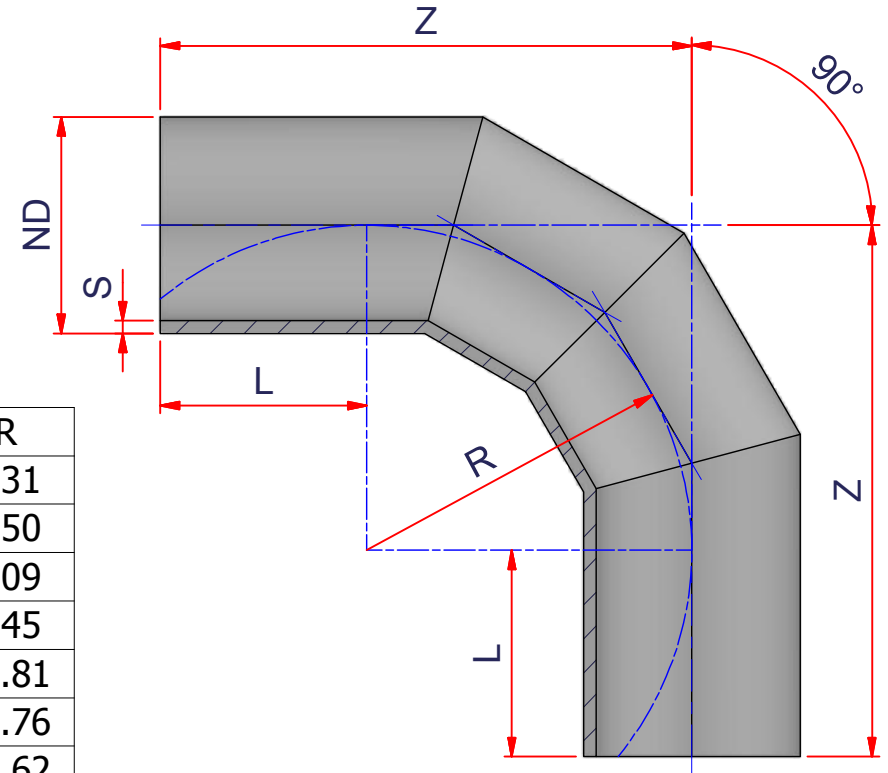


DRAWING No:  
**NI10209**

SHEET OF	REV.
1 3	-7

www.nupiamericas.com - info@nupiamericas.com

All dimensions have to be considered in inches with 5% tolerance if not otherwise mentioned excluding values as per standard ASTM F2389



CODE	ND	S	L	Z	R
27NG901790MMB	3" => 90 mm	0.21	4.33	9.64	5.31
27NG9017110MMB	4" => 110 mm	0.26	5.91	12.40	6.50
27NG9017125MMB	5" => 125 mm	0.29	4.92	12.00	7.09
27NG9017160MMB	6" => 160 mm	0.37	5.91	15.35	9.45
27NG9017200MMB	8" => 200 mm	0.47	5.91	17.72	11.81
27NG9017250MMB	10" => 250 mm	0.58	9.84	24.61	14.76
27NG9017315MMB	12" => 315 mm	0.74	11.81	30.43	18.62
27NG9017355MMB	14" => 355 mm	0.83	11.81	32.80	20.98
27NG9017400MMB	16" => 400 mm	0.93	11.81	35.43	23.62
27NG9017450MMB	18" => 450 mm	1.05	11.81	38.39	26.57
27NG9017500MMB	20" => 500 mm	1.17	13.78	43.31	29.53
27NG9017560MMB	22" => 560 mm	1.31	13.78	46.85	33.07
27NG9017630MMB	24" => 630 mm	1.47	13.78	50.98	37.20



ITEM:  
NG9017\_MMB

C:\Vault\_Temp\Disegn\ISchede Tecniche\Niron Grey inches\Butt Fusion Fittings\NI10209.dwg

DESC: 90° ELBOW - LONG SPIGOT SDR 17

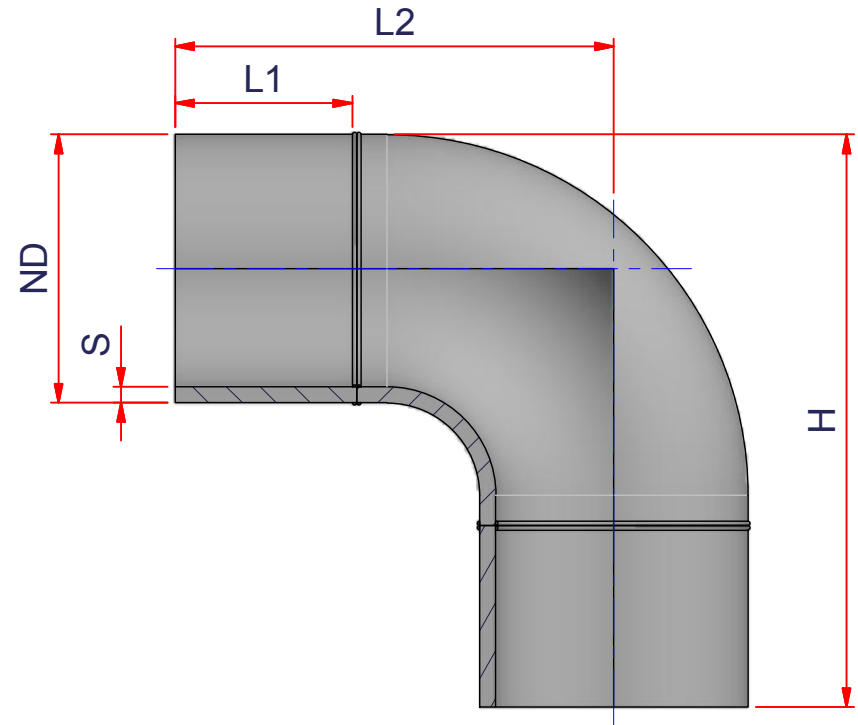


DRAWING No:  
NI10209

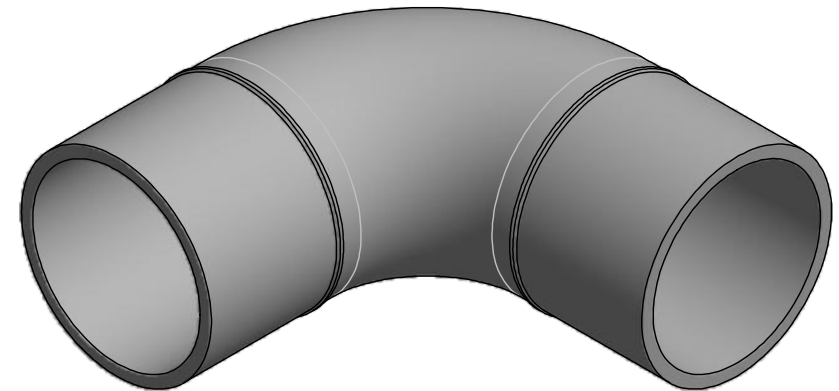
SHEET OF	REV.
2 3	-7

www.nupiamericas.com - info@nupiamericas.com

All dimensions have to be considered in inches with 5% tolerance if not otherwise mentioned excluding values as per standard ASTM F2389



CODE	ND	S	L2	L	H
27NG9017355MMC	14" => 355 mm	0.83	8.27	21.65	28.64
27NG9017400MMC	16" => 400 mm	0.93	11.81	25.20	33.07
27NG9017450MMC	18" => 450 mm	1.05	11.81	29.33	38.19



**NIRON**



ITEM:  
**NG9017\_MMC**

C:\Vault\_Temp\Disegn\ISchede Tecniche\Niron Grey inches\Butt Fusion Fittings\NI10209.dwg

DESC: 90° ELBOW - LONG SPIGOT SDR 17



DRAWING No:  
**NI10209**

SHEET OF REV.  
**3 3 -7**

www.nupiamericas.com - info@nupiamericas.com

All dimensions have to be considered in inches with 5% tolerance if not otherwise mentioned excluding values as per standard ASTM F2389