

CODE	ND	S	L1	H
27NC457363MM	2" => 63 mm	0.34	2.76	6.89
27NC457375MM	2" 1/2 => 75 mm	0.41	2.95	8.07
27NC457390MM	3" => 90 mm	0.48	3.54	9.25
27NC4573110MM	4" => 110 mm	0.59	3.43	9.53
27NC4573125MM	5" => 125 mm	0.67	3.74	10.43
27NC4573160MM	6" => 160 mm	0.86	4.06	12.24

NIRON



ITEM:
NC4573_MM

C:\Vault_Temp\Disegn\ISchede Tecniche\Niron Grey inches\Butt Fusion Fittings\NI10204.dwg

DESC: 45° ELBOW - LONG SPIGOT SDR 7.3

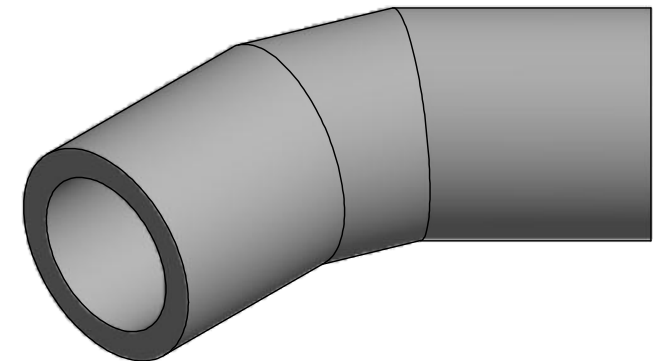
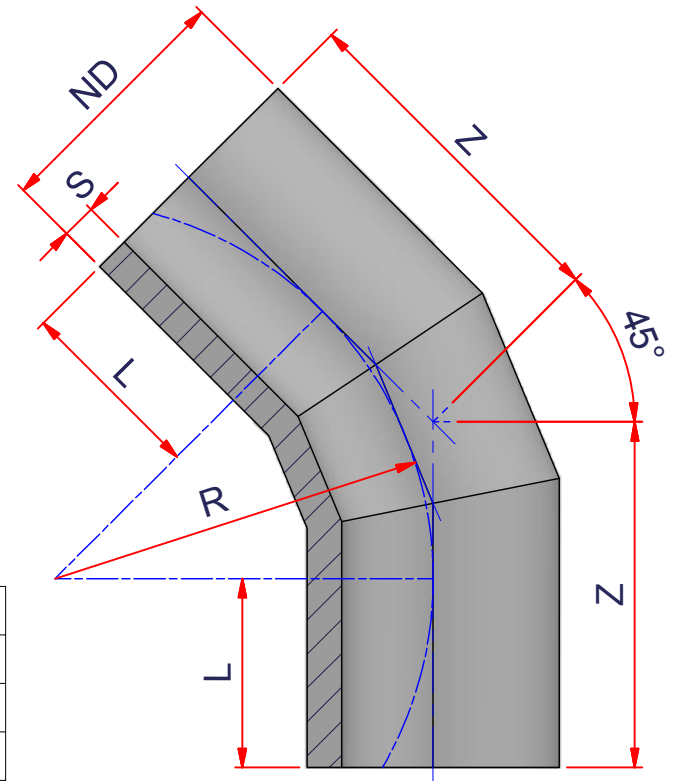


DRAWING No:
NI10204

SHEET OF	REV.
1 2	-6

www.nupiamericas.com - info@nupiamericas.com

All dimensions have to be considered in inches with 5% tolerance if not otherwise mentioned excluding values as per standard ASTM F2389



CODE	ND	S	L	Z	R
27NC457363MMB	2" => 63 mm	0.34	4.33	5.91	3.72
27NC457375MMB	2" 1/2 => 75 mm	0.41	4.33	6.50	4.43
27NC457390MMB	3" => 90 mm	0.48	4.33	7.87	5.31
27NC4573110MMB	4" => 110 mm	0.59	5.91	8.58	6.50
27NC4573125MMB	5" => 125 mm	0.67	4.92	8.98	7.09
27NC4573160MMB	6" => 160 mm	0.86	5.91	9.84	9.45
27NC4573200MMB	8" => 200 mm	1.08	5.91	10.79	11.81
27NC4573250MMB	10" => 250 mm	1.35	9.84	16.22	14.76
27NC4573315MMB	12" => 315 mm	1.70	11.81	19.61	18.62
27NC4573355MMB	14" => 355 mm	1.91	11.81	20.47	20.98

NIRON



ITEM:
NC4573_MMB

C:\Vault_Temp\Disegni\Schede Tecniche\Niron Grey inches\Butt Fusion Fittings\NI10204.dwg

DESC: 45° ELBOW - LONG SPIGOT SDR 7.3



DRAWING No:
NI10204

SHEET OF	REV.
2 2	-6

www.nupiamericas.com - info@nupiamericas.com

All dimensions have to be considered in inches with 5% tolerance if not otherwise mentioned excluding values as per standard ASTM F2389