

CODE	ND	S	L1	H
27NC451763MM	2" => 63 mm	0.15	2.76	6.89
27NC451775MM	2" 1/2 => 75 mm	0.18	2.95	8.07
27NC451790MM	3" => 90 mm	0.21	3.54	9.25
27NC4517110MM	4" => 110 mm	0.26	3.43	9.53
27NC4517125MM	5" => 125 mm	0.29	3.74	10.43
27NC4517160MM	6" => 160 mm	0.37	4.06	12.24
27NC4517200MM	8" => 200 mm	0.47	4.61	15.83
27NC4517250MM	10" => 250 mm	0.58	5.31	18.19
27NC4517315MMA	12" => 315 mm	0.74	6.57	20.87

**NIRON**



ITEM:  
**NC4517\_MM**

C:\Vault\_Temp\Disegn\ISchede Tecniche\Niron Grey inches\Butt Fusion Fittings\NI10210.dwg

DESC: 45° ELBOW - LONG SPIGOT SDR 17



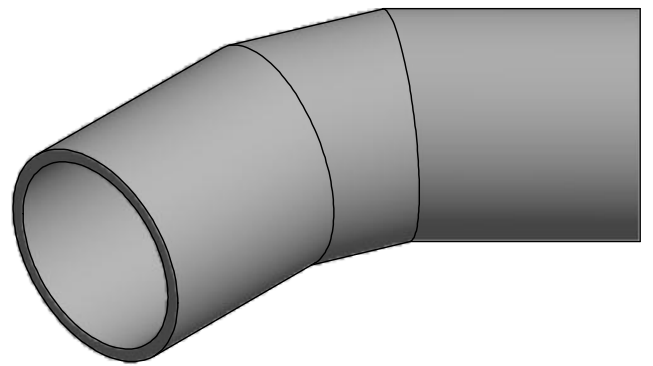
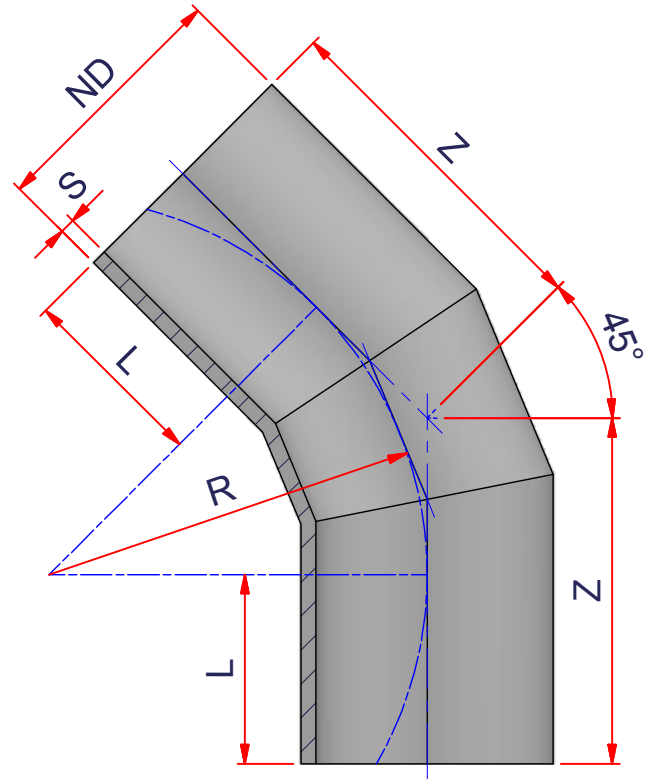
DRAWING No:  
**NI10210**

SHEET OF REV.  
**1 3 -7**

www.nupiamericas.com - info@nupiamericas.com

All dimensions have to be considered in inches with 5% tolerance if not otherwise mentioned excluding values as per standard ASTM F2389

CODE	ND	S	L	Z	R
27NC451790MMB	3" => 90 mm	0.21	4.33	7.87	5.31
27NC4517110MMB	4" => 110 mm	0.26	5.91	8.58	6.50
27NC4517125MMB	5" => 125 mm	0.29	4.92	8.98	7.09
27NC4517160MMB	6" => 160 mm	0.37	5.91	9.84	9.45
27NC4517200MMB	8" => 200 mm	0.47	5.91	10.79	11.81
27NC4517250MMB	10" => 250 mm	0.58	9.84	16.22	14.76
27NC4517315MMB	12" => 315 mm	0.74	11.81	19.61	18.62
27NC4517355MMB	14" => 355 mm	0.83	11.81	20.47	20.98
27NC4517400MMB	16" => 400 mm	0.93	11.81	21.57	23.62
27NC4517450MMB	18" => 450 mm	1.05	11.81	22.83	26.57
27NC4517500MMB	20" => 500 mm	1.17	13.78	26.18	29.53
27NC4517560MMB	22" => 560 mm	1.31	13.78	27.48	33.07
27NC4517630MMB	24" => 630 mm	1.47	13.78	29.17	37.20



ITEM:  
NC4517\_MMB

C:\Vault\_Temp\Disegn\ISchede Tecniche\Niron Grey inches\Butt Fusion Fittings\NI10210.dwg

DESC: 45° ELBOW - LONG SPIGOT SDR 17

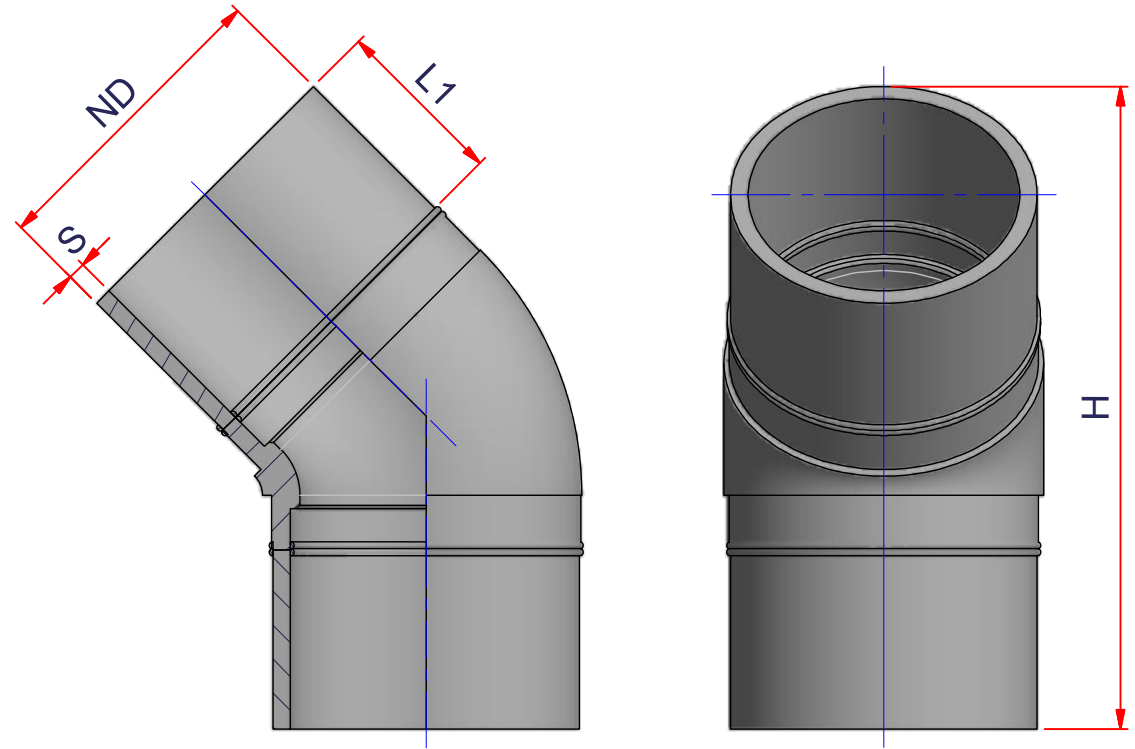


DRAWING No:  
NI10210

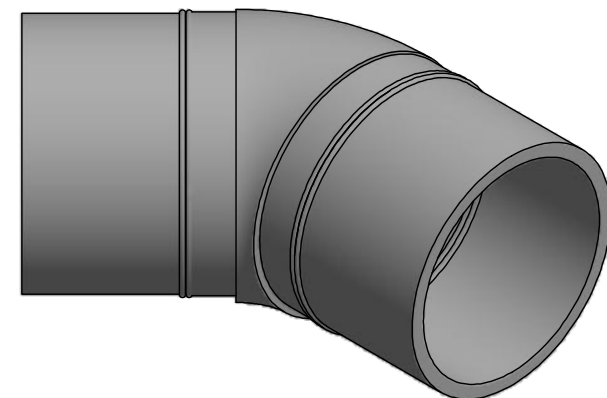
SHEET OF	REV.
2 3	-7

www.nupiamericas.com - info@nupiamericas.com

All dimensions have to be considered in inches with 5% tolerance if not otherwise mentioned excluding values as per standard ASTM F2389



CODE	ND	S	L1	H
27NC4517355MMC	14" => 355 mm	0.83	8.27	27.56
27NC4517400MMC	16" => 400 mm	0.93	11.81	33.86
27NC4517450MMC	18" => 450 mm	1.05	11.81	37.80



**NIRON**



ITEM:  
**NC4517\_MMC**

C:\Vault\_Temp\Disegn\ISchede Tecniche\Niron Grey inches\Butt Fusion Fittings\NI10210.dwg

DESC: 45° ELBOW - LONG SPIGOT SDR 17



DRAWING No:  
**NI10210**

SHEET OF	REV.
3 3	-7

www.nupiamericas.com - info@nupiamericas.com

All dimensions have to be considered in inches with 5% tolerance if not otherwise mentioned excluding values as per standard ASTM F2389