

CODE	ND	S	L1	H
27NC451163MM	2" => 63 mm	0.23	2.76	6.89
27NC451175MM	2" 1/2 => 75 mm	0.27	2.95	8.07
27NC451190MM	3" => 90 mm	0.32	3.54	9.25
27NC4511110MM	4" => 110 mm	0.39	3.43	9.53
27NC4511125MM	5" => 125 mm	0.45	3.74	10.43
27NC4511160MM	6" => 160 mm	0.57	4.06	12.24
27NC4511200MM	8" => 200 mm	0.72	4.61	15.83
27NC4511250MM	10" => 250 mm	0.89	5.31	18.19
27NC4511315MMA	12" => 315 mm	1.13	6.57	20.87

NIRON



ITEM:
NC4511_MM

C:\Vault_Temp\Disegn\ISchede Tecniche\Niron Grey inches\Butt Fusion Fittings\NI10207.dwg

DESC: 45° ELBOW - LONG SPIGOT SDR 11

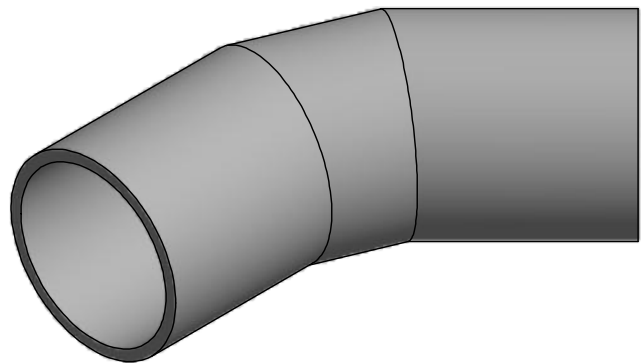
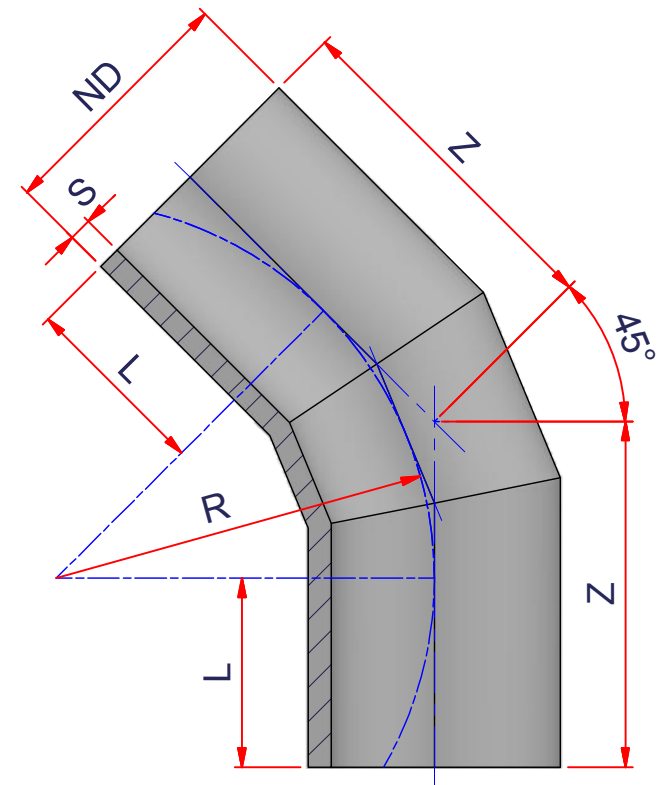


DRAWING No:
NI10207

SHEET OF	REV.
1 3	-7

www.nupiamericas.com - info@nupiamericas.com

All dimensions have to be considered in inches with 5% tolerance if not otherwise mentioned excluding values as per standard ASTM F2389



CODE	ND	S	L	Z	R
27NC451190MMB	3" => 90 mm	0.32	4.33	7.87	5.31
27NC4511110MMB	4" => 110 mm	0.39	5.91	8.58	6.50
27NC4511125MMB	5" => 125 mm	0.45	4.92	8.98	7.09
27NC4511160MMB	6" => 160 mm	0.57	5.91	9.84	9.45
27NC4511200MMB	8" => 200 mm	0.72	5.91	10.79	11.81
27NC4511250MMB	10" => 250 mm	0.89	9.84	16.22	14.76
27NC4511315MMB	12" => 315 mm	1.13	11.81	19.61	18.62
27NC4511355MMB	14" => 355 mm	1.27	11.81	20.47	20.98
27NC4511400MMB	16" => 400 mm	1.43	11.81	21.57	23.62
27NC4511450MMB	18" => 450 mm	1.61	11.81	22.83	26.57
27NC4511500MMB	20" => 500 mm	1.79	13.78	26.18	29.53

NIRON



ITEM:
NC4511_MMB

C:\Vault_Temp\Disegn\ISchede Tecniche\Niron Grey inches\Butt Fusion Fittings\NI10207.dwg

DESC: 45° ELBOW - LONG SPIGOT SDR 11

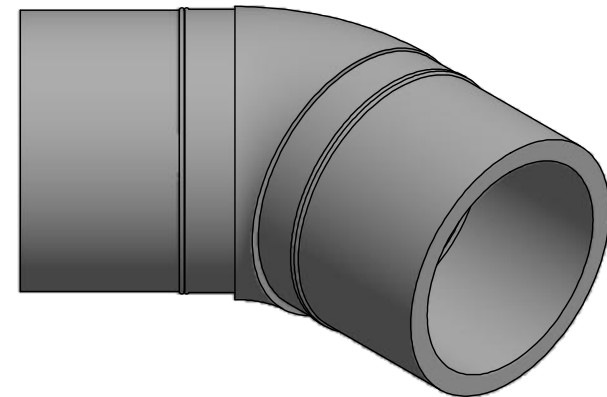
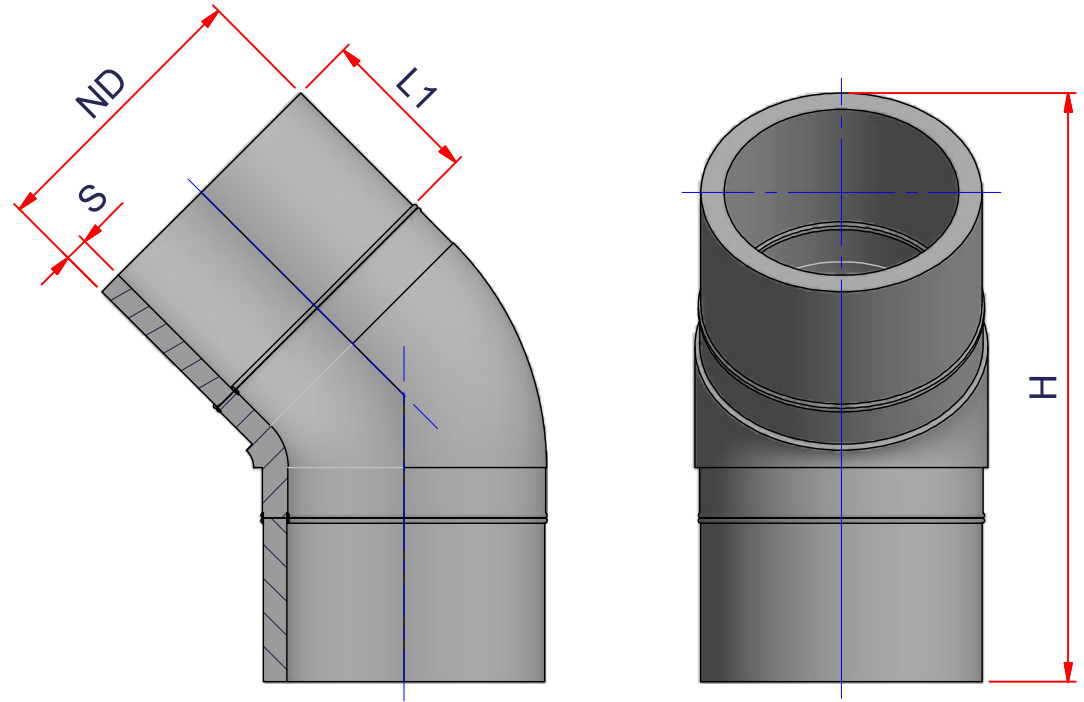


DRAWING No:
NI10207

SHEET OF	REV.
2 3	-7

www.nupiamericas.com - info@nupiamericas.com

All dimensions have to be considered in inches with 5% tolerance if not otherwise mentioned excluding values as per standard ASTM F2389



CODE	ND	S	L1	H
27NC4511355MMC	14" => 355 mm	1.27	8.27	27.56
27NC4511400MMC	16" => 400 mm	1.43	11.81	33.86
27NC4511450MMC	18" => 450 mm	1.61	11.81	37.80

NIRON



ITEM:
NC4511_MMC

C:\Vault_Temp\Disegn\I\Scheme Tecniche\Niron Grey inches\Butt Fusion Fittings\NI10207.dwg

DESC: 45° ELBOW - LONG SPIGOT SDR 11



DRAWING No:
NI10207

SHEET OF	REV.
3 3	-7

www.nupiamericas.com - info@nupiamericas.com

All dimensions have to be considered in inches with 5% tolerance if not otherwise mentioned excluding values as per standard ASTM F2389