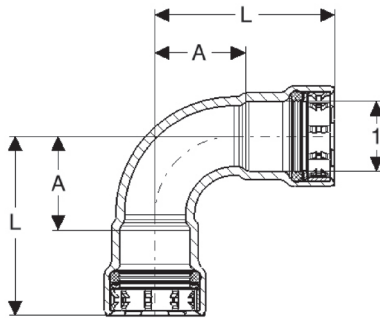


Dimensional Documentation

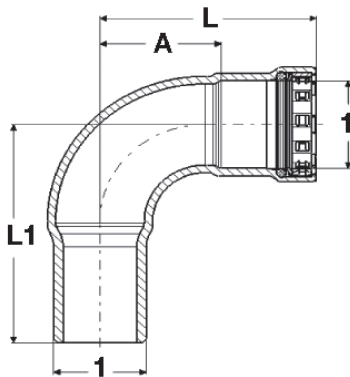
viega

Viega MegaPress® Stainless 304 and 316 Fitting Systems

MegaPress 90° Elbow, Stainless Steel, P x P - Models 4116 / 5116

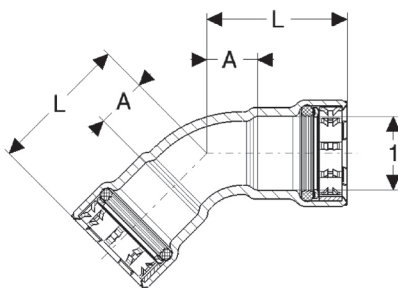


Part No.		Size	A (in)	L (in)
304	316	1		
95005	90005	1/2"	1.17	2.24
95010	90010	3/4"	1.36	2.52
95015	90015	1"	1.72	3.07
95020	90020	1 1/2"	2.26	4.13
95025	90025	2"	2.80	4.76



MegaPress 90° Elbow, Stainless Steel, FTG x P - Models 4116.1 / 5116.1

Part No.		Size	A (in)	L (in)	L1 (in)
304	316	1			
95030	90030	1/2"	1.17	2.24	2.56
95035	90035	3/4"	1.36	2.52	2.80
95040	90040	1"	1.72	3.07	3.39
95045	90045	1 1/2"	2.26	4.13	4.21
95050	90050	2"	2.80	4.76	5.08



MegaPress 45° Elbow, Stainless Steel, P x P - Models 4126 / 5126

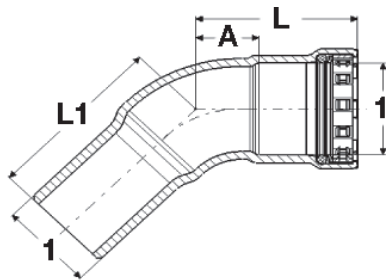
Part No.		Size	A (in)	L (in)
304	316	1		
95055	90055	1/2"	0.60	1.67
95060	90060	3/4"	0.71	1.87
95065	90065	1"	0.86	2.20
95070	90070	1 1/2"	1.12	2.99
95075	90075	2"	1.32	3.29

Dimensional Documentation

viega

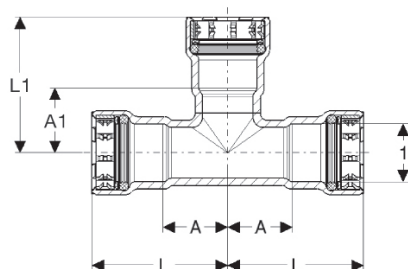


MegaPress 45° Elbow, Stainless Steel, FTG x P - Models 4126.1 / 5126.1



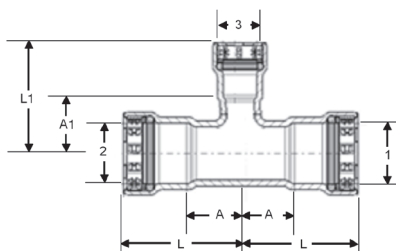
Part No.		Size	A (in)	L (in)	L1 (in)
304	316	1			
95080	90080	½"	0.60	1.67	1.97
95085	90085	¾"	0.71	1.87	2.13
95090	90090	1"	0.86	2.20	2.52
95095	90095	1½"	1.12	2.99	3.07
95100	90100	2"	1.32	3.29	3.58

MegaPress Tee, Stainless Steel, P x P x P - Models 4118 / 5118



Part No.		Size	A (in)	A1 (in)	L (in)	L1 (in)
304	316	1				
95105	90105	½"	0.97	0.97	2.04	2.04
95110	90110	¾"	1.11	1.11	2.26	2.26
95115	90115	1"	1.23	1.23	2.57	2.57
95120	90120	1½"	1.57	1.57	3.44	3.44
95125	90125	2"	1.81	1.81	3.78	3.78

MegaPress Reducing Tee, Stainless Steel, P x P x P - Models 4118 / 5118

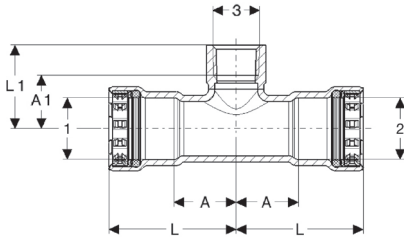


Part No.		Size	A (in)	A1 (in)	L (in)	L1 (in)
304	316	1 2 3				
95130	90130	¾" x ¾" x ½"	1.11	1.07	2.26	2.14
95135	90135	1" x 1" x ½"	1.23	1.19	2.57	2.26
95140	90140	1" x 1" x ¾"	1.23	1.26	2.57	2.41
95145	90145	1½" x 1½" x ½"	1.57	1.44	3.44	2.51
95150	90150	1½" x 1½" x ¾"	1.57	1.48	3.44	2.64
95155	90155	1½" x 1½" x 1"	1.57	1.48	3.44	2.83
95160	90160	2" x 2" x ½"	1.81	1.74	3.78	2.81
95165	90165	2" x 2" x ¾"	1.81	1.80	3.78	2.95
95170	90170	2" x 2" x 1"	1.81	1.75	3.78	3.10
95175	90175	2" x 2" x 1½"	1.81	1.84	3.78	3.71

Dimensional Documentation

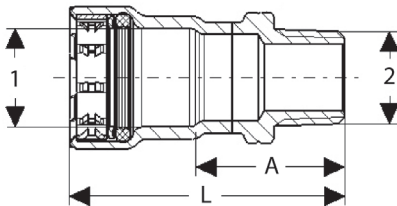
viega

MegaPress Reducing Tee, Stainless Steel, P x P x FPT - Models 4117.2 / 5117.2



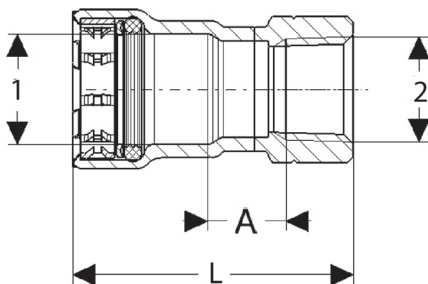
Part No.		Size	A (in)	A1 (in)	L (in)	L1 (in)
304	316	1 2 3				
95180	90180	¾" x ¾" x ½"	1.11	1.02	2.26	1.55
95185	90185	¾" x ¾" x ¾"	1.11	1.03	2.26	1.58
95190	90190	1" x 1" x ½"	1.23	1.19	2.57	1.73
95195	90195	1" x 1" x ¾"	1.23	1.18	2.57	1.73
95200	90200	1½" x 1½" x ½"	1.57	1.42	3.44	1.95
95205	90205	1½" x 1½" x ¾"	1.57	1.41	3.44	1.97
95210	90210	1½" x 1½" x 1"	1.57	1.57	3.44	2.24
95215	90215	2" x 2" x ½"	1.81	1.70	3.78	2.24
95220	90220	2" x 2" x ¾"	1.81	1.72	3.78	2.28
95225	90225	2" x 2" x 1"	1.81	1.89	3.78	2.55

MegaPress Adapter, Stainless Steel, P x MPT - Models 4111 / 5111



Part No.		Size	A (in)	L (in)
304	316	1 2		
95230	90230	½" x ½"	1.46	2.53
95235	90235	¾" x ½"	1.49	2.65
95240	90240	¾" x ¾"	1.52	2.67
95245	90245	1" x 1"	1.66	3.00
95250	90250	1½" x 1½"	1.93	3.80
95255	90255	2" x 2"	1.93	3.90

MegaPress Adapter, Stainless Steel, P x FPT - Models 4112 / 5112

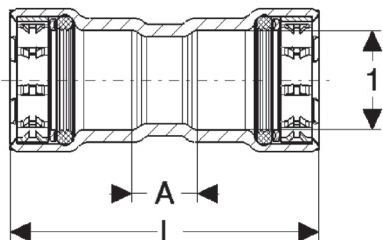


Part No.		Size	A (in)	L (in)
304	316	1 2		
95260	90260	½" x ½"	0.70	2.31
95265	90265	¾" x ¾"	0.74	2.45
95270	90270	1" x 1"	0.73	2.74
95275	90275	1½" x 1½"	0.72	3.27
95280	90280	2" x 2"	0.76	3.42

Dimensional Documentation

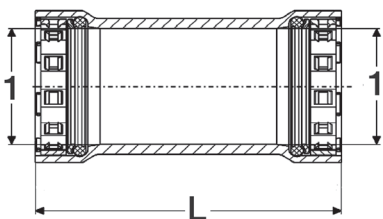


MegaPress Coupling with Stop, Stainless Steel, P x P - Models 4115 / 5115



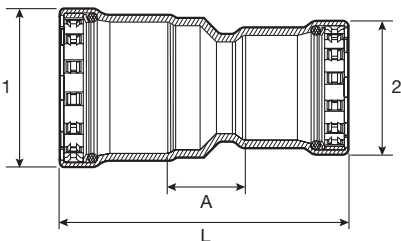
Part No.		Size	A (in)	L (in)
304	316	1		
95285	90285	1/2"	0.56	2.70
95290	90290	3/4"	0.63	2.94
95295	90295	1"	0.57	3.26
95300	90300	1 1/2"	0.89	4.63
95305	90305	2"	0.77	4.71

MegaPress Coupling No Stop, Stainless Steel, P x P - Models 4115.5 / 5115.5



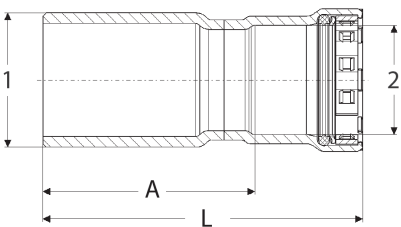
Part No.		Size	L (in)
304	316	1	
95310	90310	1/2"	2.70
95315	90315	3/4"	2.94
95320	90320	1"	3.29
95325	90325	1 1/2"	4.63
95330	90330	2"	4.71

MegaPress Reducer, Stainless Steel, P x P - Models 4115.2 / 5115.2



Part No.		Size	A (in)	L (in)
304	316	1 x 2		
95335	90335	3/4" x 1/2"	1.20	3.43
95340	90340	1" x 3/4"	1.24	3.74
95345	90345	1 1/2" x 1"	1.35	4.57
95350	90350	2" x 1 1/2"	1.43	5.26

MegaPress Reducer, Stainless Steel, FTG x P - Models 4115.1 / 5115.1



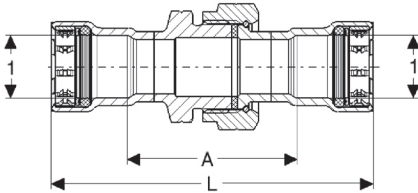
Part No.		Size	A (in)	L (in)
304	316	1 2		
95355	90355	3/4" x 1/2"	1.88	2.95
95360	90360	1" x 1/2"	2.17	3.24
95365	90365	1" x 3/4"	2.10	3.26
95370	90370	1 1/2" x 3/4"	3.00	4.15
95375	90375	1 1/2" x 1"	2.82	4.17
95380	90380	2" x 1"	3.15	4.50
95385	90385	2" x 1 1/2"	2.96	4.83

Viega LLC, 12303 Airport Way, Ste. 395 • Broomfield, CO 80021 • Ph: 800-976-9819 • Fax: 800-976-9817

Dimensional Documentation

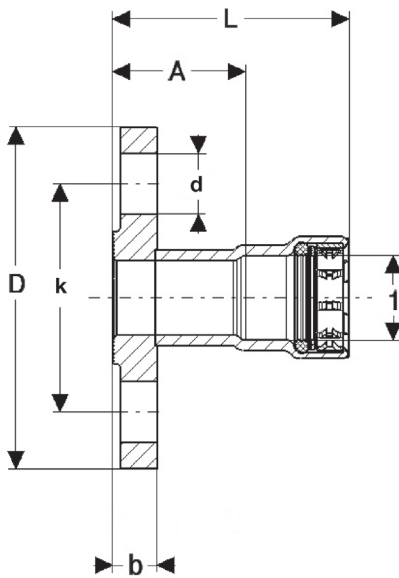
viega

MegaPress Union, Stainless Steel, P x P - Models 4160 / 5160



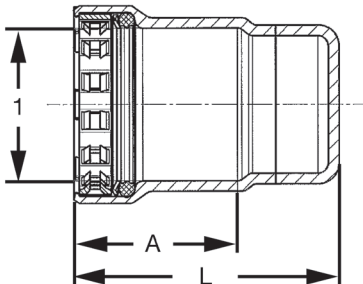
Part No.		Size	A (in)	L (in)
304	316	1		
95415	90415	½"	2.39	4.53
95420	90420	¾"	2.69	5.00
95425	90425	1"	2.65	5.34
95430	90430	1½"	2.89	6.63
95435	90435	2"	3.66	7.60

MegaPress Flange, Stainless Steel, P x BP - Models 4159.5 / 5159.5



Part No.	316	Size	A (in)	L (in)	b (in)	k (in)	D (in)	d (in)
304	316	1						
95440	90440	½"	1.12	2.19	0.46	2.36	3.54	0.63
95445	90445	¾"	1.23	2.39	0.52	2.76	3.94	0.63
95450	90450	1"	1.34	2.69	0.58	3.11	4.33	0.63
95455	90455	1½"	1.49	3.36	0.70	3.86	4.92	0.63
95460	90460	2"	1.54	3.50	0.77	4.76	5.91	0.75

MegaPress Cap, Stainless Steel, P x Cap - Models 4156 / 5156



Part No.		Size	A (in)	L (in)
304	316	1		
95390	90390	½"	1.07	2.14
95395	90395	¾"	1.16	2.26
95400	90400	1"	1.35	2.43
95405	90405	1½"	1.87	3.02
95410	90410	2"	1.97	3.09

Viega products are designed to be installed by licensed and trained plumbing and mechanical professionals who are familiar with Viega products and their installation. **Installation by non-professionals may void Viega LLC's warranty.**

This document subject to updates. For the most current Viega technical literature please visit www.viega.us.

Viega LLC, 12303 Airport Way, Ste. 395 • Broomfield, CO 80021 • Ph: 800-976-9819 • Fax: 800-976-9817