

## Viega MegaPress® Adapter Flange Model 4859.5

Viega's MegaPress adapter flange is designed for use with the MegaPress black iron pipe joining system. The flange uses Viega's press end technology, eliminating the need for threading or welding and saving valuable time. Viega MegaPress fittings are designed for use in piping systems utilizing ASTM A53, A106, A135, A795 Schedule 5 to Schedule 40 black iron pipe. The MegaPress flanges are available in sizes 1/2" to 2" and comply with ASME B16.5.

### Features

- 304 stainless steel separator ring
- 420 stainless steel grip ring
- EPDM sealing element
- Smart Connect feature
- Zinc-Nickel coating

### Ratings

- Temperature Range: 0°F to 250°F
- Max Operating Pressure: 200 psi
- Class 150 Flange

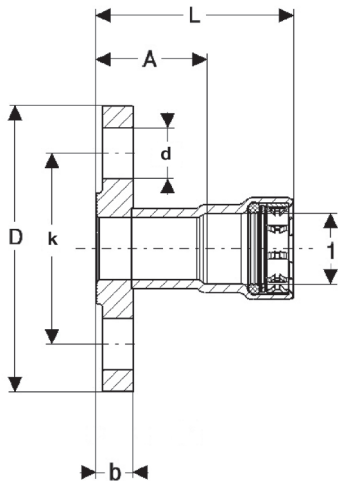


### Approvals

- IAPMO/UMC to PS117
- ICC-ES PMG-1124
- FM Class 1920
- UL 213
- ABS: American Bureau of Shipping
- Lloyd's Register

### Applications

- Hydronic Heating
- Low Pressure Steam
- Industrial Gases
- Compressed Air (no oil)
- Fire Sprinkler
- Vacuum



Part No.	Size (1)	A (in)	L (in)	b (in)	k (in)	D (in)	d (in)
25760	1/2"	1.37	2.44	0.46	2.36	3.54	0.63
25765	3/4"	1.44	2.60	0.52	2.76	3.94	0.63
25770	1"	1.61	2.96	0.58	3.11	4.33	0.63
25775	1 1/4"	1.76	3.57	0.64	3.50	4.53	0.63
25780	1 1/2"	1.93	3.80	0.70	3.86	4.92	0.63
25785	2"	1.93	3.90	0.77	4.76	5.91	0.75

Viega products are designed to be installed by licensed and trained plumbing and mechanical professionals who are familiar with Viega products and their installation. **Installation by non-professionals may void Viega LLC's warranty.**

This document subject to updates. For the most current Viega technical literature please visit [www.viega.us](http://www.viega.us).

Viega LLC, 12303 Airport Way, Ste. 395 • Broomfield, CO 80021 • Ph: 800-976-9819 • Fax: 800-976-9817