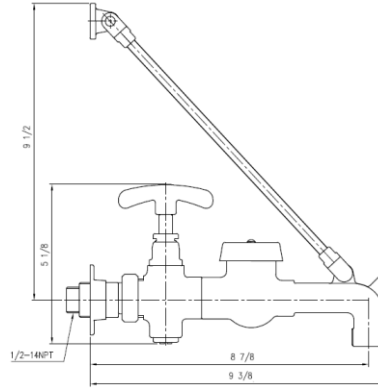


CL-340C Service Sink Faucet • Spec Sheet



FEATURES & BENEFITS

- Lead Free Brass*
- Wall Bracket
- With Integral Stops
- Heavy Duty Cast Brass
- Vacuum Breaker & Bucket Hook
- Chrome Plated Satin Finish

MATERIAL SPECIFICATIONS

No.	Part	Material
1	Body	Brass C89550
2	Sealing Seat	Brass C89550
3, 24, 26	Washer	SE-719F
4	Washer Seat	Brass C89550
5 & 25	Stem	Brass C89550
6	Washer	Paper
7	Stem Nut	Brass C89550
8	Washer	PTFE
9	Washer	Brass C89550
10 & 28	Nut	Brass C37700
11	Handle	Zinc
12, 22, 23	Screw	Brass C37700
13 & 14	Button	POM
15 & 19	O-Ring	SN-719F
16	Spout	Brass C89550
17	Float	POM
18	Disc Seal	Silicone
20	Insert	POM
21	Cover Plate	Brass C37700
27	Insert	Brass C89550
29	Connector	Brass C89550
30	Offset Flange	Zinc
31	Nipple	Brass C89550
32	Anchor	POM
33	Wall Flange	Zinc
34	Wall Screw	S.S. 304
35	Connector	Zinc
36	Spring Pin	S.S. 304
37	Wall Brace	Brass C37700

*This product complies with 0.25% weighted average lead content on wetted surfaces in accordance with the Safe Drinking Water Act (SDWA) / Federal Public Law No. 111-380.



Global sourcing. National compliance. Local service.

CALIFORNIA 5593 Fresca Dr., La Palma CA 90623 • Toll Free: 866-532-8306 • Fax: 866-532-8307
TEXAS 1150 Silber Rd., Houston TX 77055 • Toll Free: 800-935-5456 • Fax: 713-680-2999
NEW YORK PO Box 27, Rt. 22, Brewster NY 10509 • Toll Free: 800-431-2082 • Fax: 845-278-9056
 WEB: www.matco-norca.com EMAIL: mail@matco-norca.com