

FY-991WB BAR FAUCET



FEATURES & BENEFITS

- ❖ Chrome Plate Brass Gooseneck Spout
- ❖ 4" Centers
- ❖ Washerless Cartridge
- ❖ Metal Wristblade Handles
- ❖ ADA Compliant
- ❖ Brass Nuts
- ❖ Chrome Plate Brass Construction
- ❖ 1/2"-14 NPT Inlet
- ❖ Water Saving Aerator
- ❖ Max Flow Rate: 2.2GPM @60psi
- ❖ 100% Factory Pressure Tested Before Shipment

APPROVALS:

Meets or Exceeds
The Following:

- ❖ ANSI/ASME A112.18.1
- ❖ ANSI A117.1
- ❖ CSA B125
- ❖ ANSI/NSF 61 - Sec. 9
- ❖ IAPMO/UPC



Brewster, NY
TEL: 800-431-2082
FAX: 800-640-2252

Houston, TX
TEL: 800-935-5456
FAX: 800-683-4247

La Palma, CA
TEL: 866-532-8306
FAX: 866-532-8307

Americus, GA
TEL: 800-433-7526
FAX: 800-533-5134

e-mail: mail@matco-norca.com

www.matco-norca.com

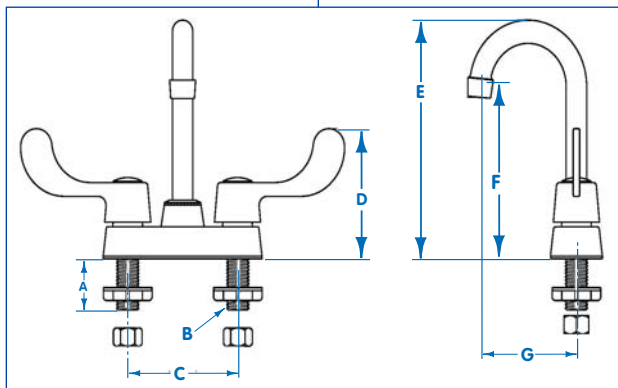
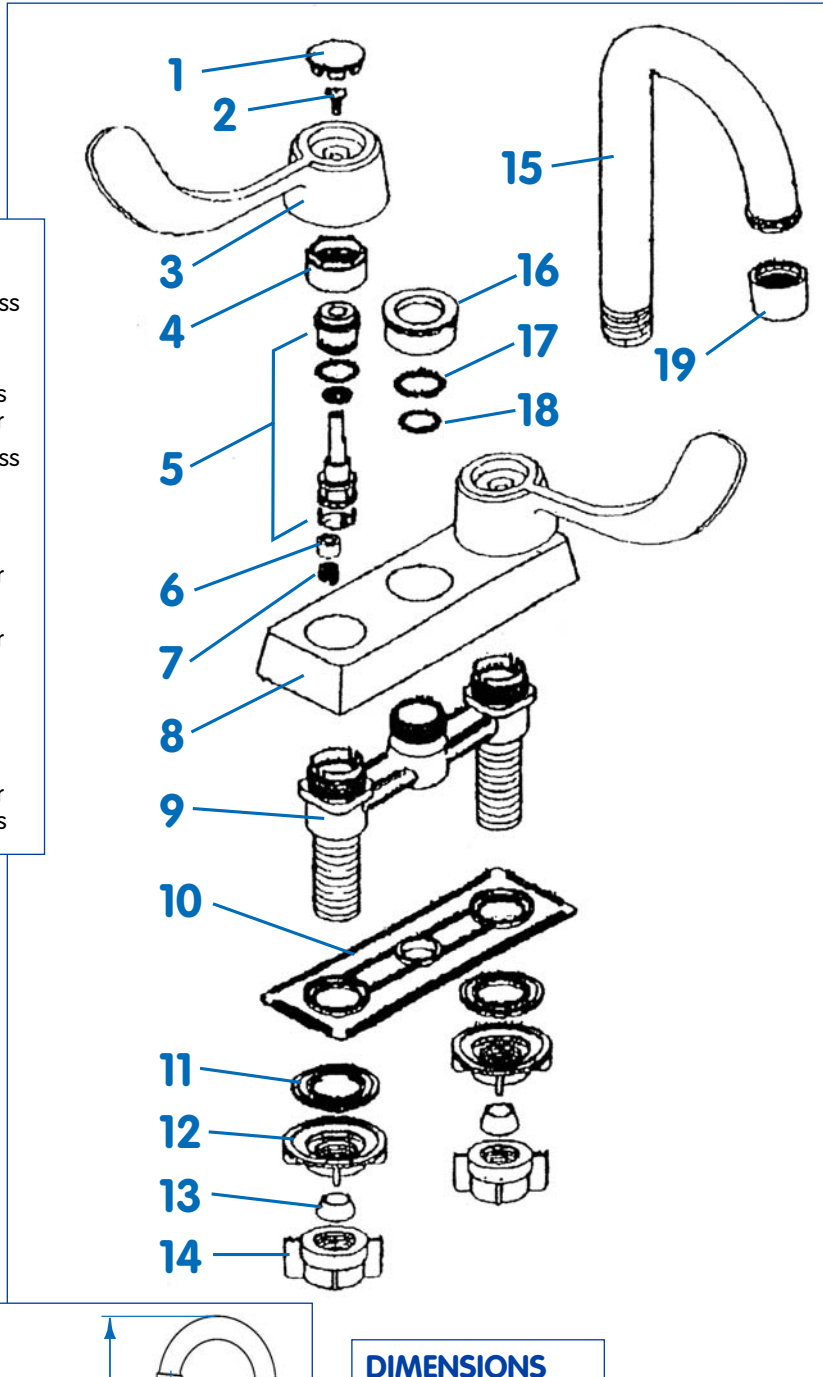
v.2 11/20/07

FY-991WB BAR FAUCET



V.2 11/20/07

No.	Part Title	Material
1	Button	Plastic
2	Screw	Stainless
3	Handle	Zinc
4	Stem Shell	Zinc
5	Cartridge Assy	Various
6	Seat Rubber	Rubber
7	Seat Spring	Stainless
8	Housing	Brass
9	Body	Brass
10	Bottom Plate	Plastic
11	Washer	Rubber
12	Lock Nut	Plastic
13	Cone Washer	Rubber
14	Tail Piece	Plastic
15	Spout	Brass
16	Nut	Brass
17	O" Clip	Plastic
18	O-Ring	Rubber
19	Aerator Assy	Various



DIMENSIONS	
A	1-5/8"
B	1/2" x 14 NPS
C	4"
D	4-3/16"
E	7-11/16"
F	5-3/16"
G	3-9/16"

Product Spec Sheet



Brewster, NY
 TEL: 800-431-2082
 FAX: 800-640-2252

Houston, TX
 TEL: 800-935-5456
 FAX: 800-683-4247

La Palma, CA
 TEL: 866-532-8306
 FAX: 866-532-8307

Americus, GA
 TEL: 800-433-7526
 FAX: 800-533-5134

e-mail: mail@matco-norca.com

www.matco-norca.com