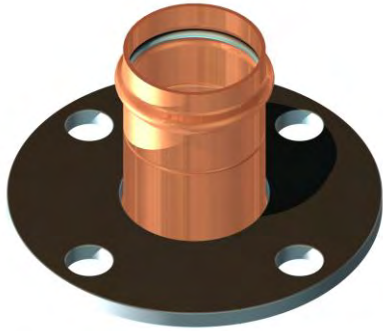


8741 Small Diameter

APOLLOPRESS® Press End Copper Companion Flange
125lb C (2")

SUBMITTAL SHEET

"Apollo" Flow Controls



| | |
|------------------|--|
| Job Name: | |
| Job Location: | |
| Engineer: | |
| Contractor: | |
| Tag: | |
| PO#: | |
| Rep: | |
| Wholesale Dist.: | |

DESCRIPTION

The APOLLOPRESS® 8741 Small Diameter Press 125lb Companion Flange features a lead free dezincification resistant copper body and an EPDM o-ring. The black powder coating provides separation of dissimilar metals preventing electrolysis. APOLLOPRESS® products are manufactured utilizing proven ASTM materials and standards. Proudly made in the USA.

FEATURES

- Black Powder-Coated Steel Flange Base
- Lead Free Construction
- Leak Before Press® Technology
- Ridgid® XL Press Tool Compatible
- Approved for underground installation (per local installation code)
- Made in USA

PERFORMANCE RATING

- Maximum Pressure: 300 psi
- Temperature Range: 33°F to 250°F depending on application.

APOLLOPRESS®

- Small Diameter Size 2"
- Model 8741, 125lb Companion Flange

STANDARD MATERIALS LIST

| | |
|-------------|------------------------------|
| Body | UNS C12200 Copper |
| Flange Base | Black Powder-Coated Steel |
| O-Ring | EPDM |
| Lubrication | Silicone, ANSI/NSF-61 Listed |

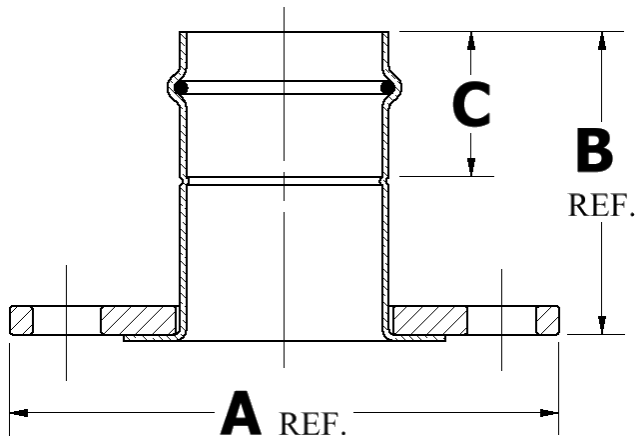
APPROVALS

- NSF/ANSI 61 - Water Quality
- NSF/ANSI 372 - Lead Free
- IAPMO File Listings: 4861, 6174 & N-4951
- cUPC® Compliant
- ARRA Compliant

APOLLOPRESS® connectors are designed for direct mechanical connection to ASTM B88-Type K, L, and M copper tubing in the hard drawn condition. Press connectors are not suitable for steam or flammable gas service.

DIMENSIONS

| ITEM NO. | DESCRIPTION | DIMENSIONS (IN.) | | | | | | WEIGHT (LB.) |
|----------|-------------|------------------|------|------|--------|-------|-------|--------------|
| | | A | B | C | HEIGHT | WIDTH | DEPTH | |
| 10075702 | 8741 2 | 6.00 | 3.37 | 1.59 | 3.37 | 6.00 | 6.00 | 2.68 |



*LEAD FREE: The wetted surfaces of this product shall contain no more than 0.25% lead by weighted average. Complies with Federal Public Law III-380. ANSI 3rd party approved and listed.

Customer Service (704) 841-6000
www.apolloflowcontrols.com

This specification is provided for reference only. Conbraco Industries Inc. reserves the right to change any portion of this specification without notice and without incurring obligation to make such changes to Conbraco products previously or subsequently sold. Please visit apolloflowcontrols.com for the most current information.

