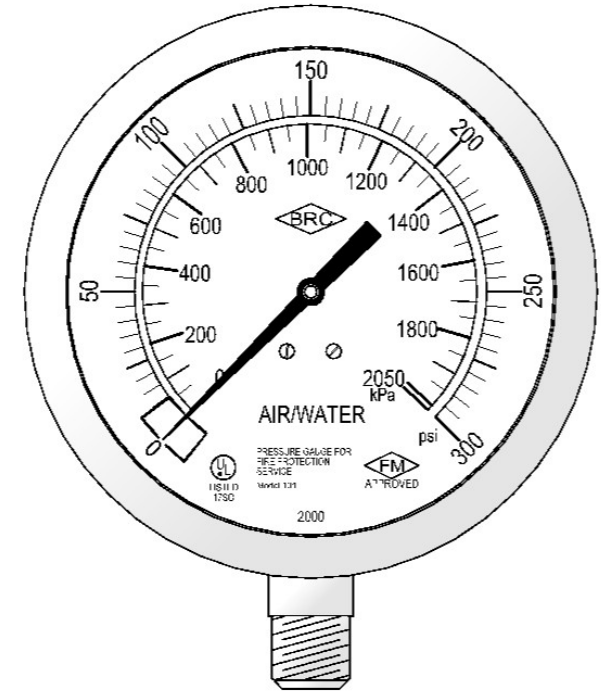
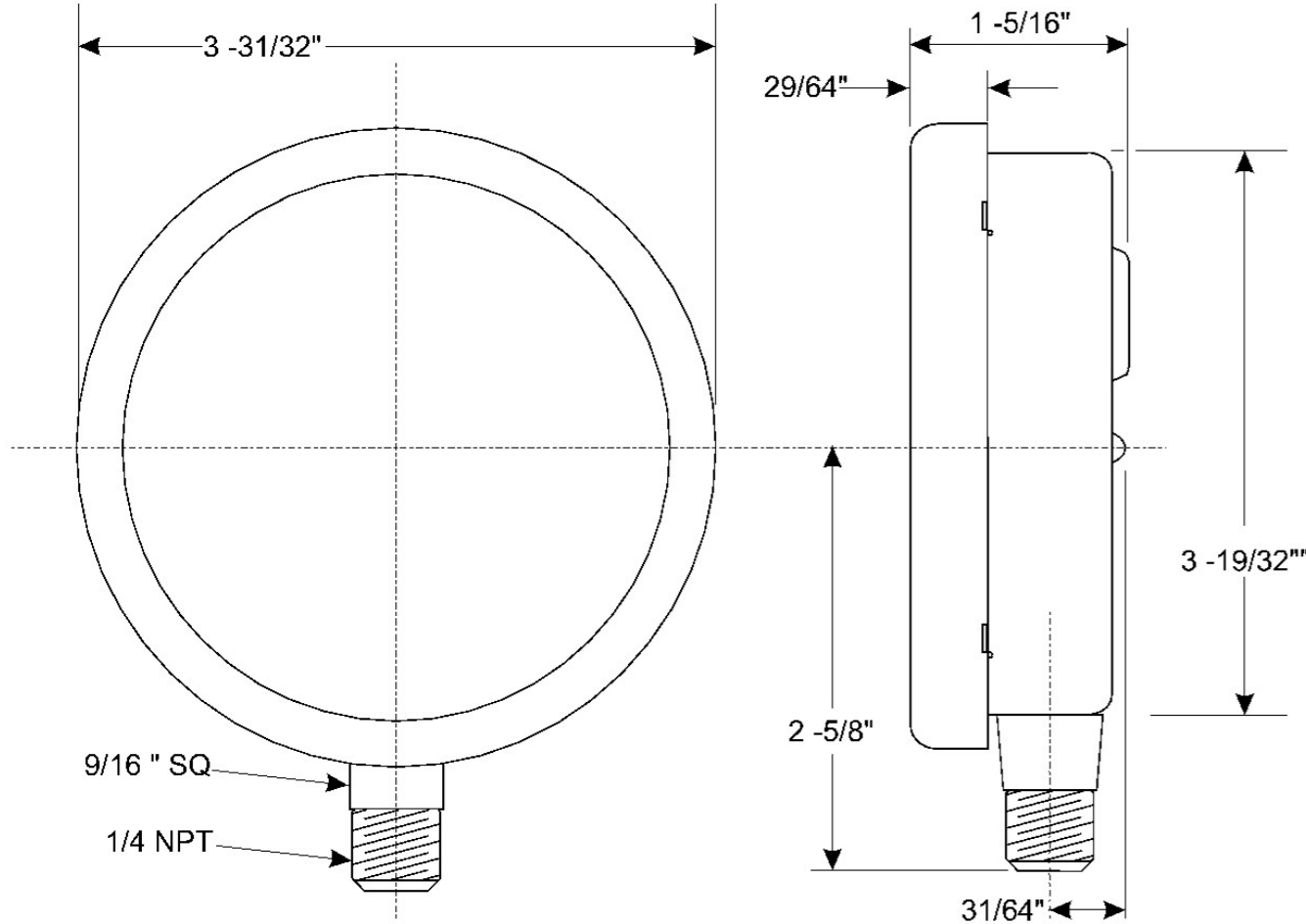


THIS DOCUMENT CONTAINS INFORMATION THAT IS CONFIDENTIAL AND PROPRIETARY TO BRECCO CORPORATION ("BRECCO"). THIS DOCUMENT IS FURNISHED ON THE UNDERSTANDING THAT THE DOCUMENT AND THE INFORMATION IT CONTAINS WILL NOT BE COPIED OR DISCLOSED TO OTHERS, AND WILL NOT BE USED EXCEPT FOR THE DIRECT BENEFIT OF BRECCO.

REVISIONS					
E.C.O. NO.	ZONE	LTR	DESCRIPTION	DATE	APPROVED



SIZE:
 3 - 1/2"
 CASE:
 STAINLESS STEEL
 RING:
 STAINLESS STEEL, POLISHED
 WINDOW:
 GLASS, DOUBLE STRENGTH
 DIAL:
 BRASS, WHITE COATED
 POINTER:
 BRASS
 MOVEMENT:
 BRASS WITH STAINLESS STEEL PINION, UNDERLOAD

ITEM	QTY.	NOMENCLATURE OR DESCRIPTION	MATERIAL
9			
8	1		BRASS
7	1		FIBRE
6	1		BRASS
5	1		STAINLESS
4	1		RUBBER
3	1	ADAPTER	BRASS
2	1	BALL	S.S. 304
1	1	EXTENSION	BRASS

UNLESS OTHERWISE SPECIFIED: DIMENSIONS ARE IN INCHES TOLERANCES .XX + .01 XXX + .005 ANGLES 1 0' 30"		CONTRACT NO. DATE:		BRECCO CORPORATION 2633 N. 37th Ave. Suite # 3 Phoenix, AZ. 85009	
UL & FM APPROVED				"SPRINKLER" SERVICE GAUGE	
MATERIAL: NOTED		PREPAR. N. KLAJKA 04/25/00 CHECKED: ENGIN.		SIZE: A DRAWING FILE NOMENCLATURE: GAGE.CDR	
HEAT TREAT:		PN = GAWSS350		SHEET:	