

LDI41/WDI41 Series

Resilient Seated Butterfly Valve

LEAD FREE

SUBMITTAL SHEET

"Apollo" Flow Controls



Job Name:	
Job Location:	
Engineer:	
Contractor:	
Tag:	
PO#:	
Rep:	
Wholesale Dist.:	

DESCRIPTION

The Apollo® LDI41/WDI41 Series Ductile Iron Butterfly Valves are ideal for use in Industrial and Commercial/HVAC/Mechanical applications. The WDI41 Series is a wafer style valve and the LDI41 Series is a companion lug style. Available in sizes 2" - 24" lug and 2" - 12" wafer. Contact customer support for lug sizes 28" - 48".

FEATURES

- Compatible with ANSI 125# & 150# Flanges
- ISO 5211 Top Plate Allows Choice of Apollo® Pneumatic Actuators and Gear Operators
- Conforms to MSS SP-67 & API 609
- LDI41 Series Suitable for End of Line Service (Bidirectional Dead End Service) to Rated Pressure (2"-24")
- 3" - 24" meet performance requirements of AWWA C-504

PERFORMANCE RATING

- Pressure Rating: 2" to 12": 200 psi
14" to 24": 150 psi

APPROVALS

- NSF/ANSI 372 - Lead Free
- NSF/ANSI 61 - Water Quality*
- CRN: OC/2102CL

*applies to bronze and stainless steel disc models

OPTION

- -SF: Silicone Free (Available)

MATERIAL OPTIONS

BODY

- Ductile Iron ASTM A536, (65-45-12)

DISC MATERIAL

- Aluminum Bronze
- Ductile Iron A536 Nickel Plated
- 316 Stainless Steel, CF8M

SEAT MATERIAL

- EPDM: -20°F to 250°F Intermittent
- BUNA-N: 10°F to 180°F
- VITON: -20°F to 300°F

OPERATOR

- (-0) None
- (-1) 10 Position Handle
- (-2) Gear Operator (12" Handwheels)
- (-4) Locking Handle
- (-3) Infinite Position Handle
- (-5) Gear Operator w/ Chain Wheel
- (-7) Locking Gear Operator
- (-8) Locking Gear Operator w/ Chain Wheel

STANDARD MATERIAL LIST

BODY	Ductile Iron ASTM A536
BUSHINGS	Glass Reinforced Epoxy Resin
STEM SEAL	Buna-N
SHAFT	416 SS ASTM A276 Type 416 (Standard) 316 SS ASTM A276 Type 316
SEAT	EPDM Buna-N (Nitrile)
DISC	Aluminum Bronze Ductile Iron / A536 Nickel Plated 316 Stainless Steel / CF8M

SPECIFICATIONS

VALVE SIZE		TORQUE RATING *(IN-LB)				FLOW C _v FULL OPEN	WEIGHT (LB)		GEAR RATIO
		FULL RATED PRESSURES (PSI)					WDI41	LDI41	
IN.	MM	ΔP 50	ΔP 100	ΔP 150	ΔP 200				
2	50	100	106	111	117	115	6	9	30:1
2.5	65	150	163	176	189	196	8	10	30:1
3	80	207	220	232	244	302	9	11	30:1
4	100	290	323	357	390	600	11	18	30:1
5	125	423	481	540	598	1022	15	22	30:1
6	150	599	691	783	875	1579	18	26	30:1
8	200	1060	1183	1307	1430	3136	32	43	50:1
10	250	1671	1872	2074	2275	5340	47	66	50:1
12	300	2568	2795	3023	3250	8250	-	102	50:1
14	350	2640	3070	3500	N/A	11917	-	148	50:1
16	400	4260	4880	5500	N/A	16388	-	200	80:1
18	450	6287	7243	8200	N/A	21705	-	277	80:1
20	500	8360	9180	10000	N/A	27908	-	410	300:1
24	600	15427	16813	18200	N/A	43116	-	592	300:1

*LUBRICATING MEDIA SURFACE

*LEAD FREE: The wetted surfaces of this product shall contain no more than 0.25% lead by weighted average. Complies with Federal Public Law III-380. ANSI 3rd party approved and listed.

Customer Service (704) 841-6000
www.apolloflowcontrols.com

This specification is provided for reference only. Conbraco Industries Inc. reserves the right to change any portion of this specification without notice and without incurring obligation to make such changes to Conbraco products previously or subsequently sold. Please visit apolloflowcontrols.com for the most current information.



LDI41/WDI41 Series

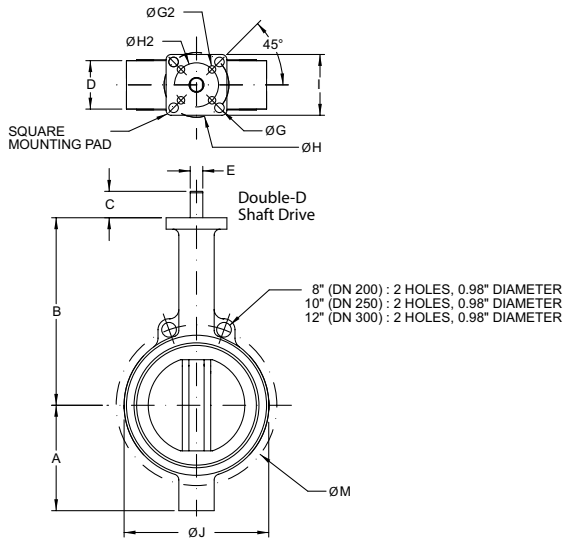
Resilient Seated Butterfly Valve

LEAD FREE

SUBMITTAL SHEET

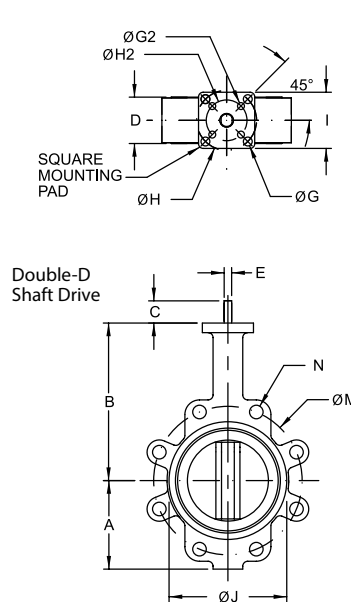
"Apollo" Flow Controls

WD MODEL 2" - 12"

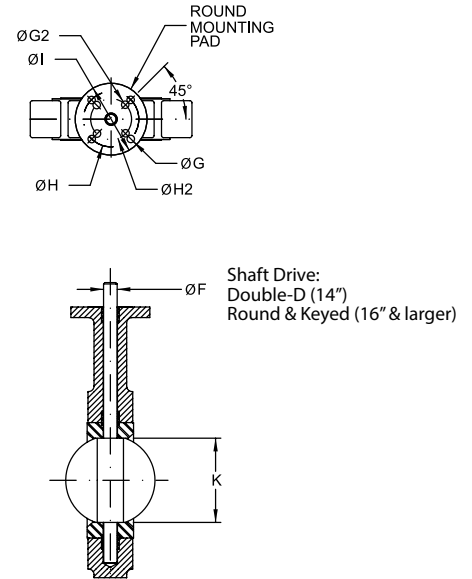


LD MODEL

2" - 12"



14" - 24"



DOUBLE-D AND KEYED STEM

SIZE INCHES	SIZE DN	DIMENSIONS IN INCHES																	
		A	B	C	D	E	$\varnothing F$	$\varnothing G$	$\varnothing G2$	KEY	$\varnothing H$	$\varnothing H2$	I	$\varnothing J$	K	DISC CHORD	M	N (WD)	N (LD)
2	50	3.25	6.375	1.25	1.75	0.394	0.496	0.375	--	--	2.756	--	2.699	4	2.09	1.113	4.75	0.688	.625-11
2.5	65	3.75	6.880	1.25	1.88	0.394	0.496	0.375	--	--	2.756	--	2.699	4.75	2.54	1.706	5.50	0.688	.625-11
3	80	4.00	7.130	1.25	1.88	0.394	0.496	0.375	--	--	2.756	--	2.699	5.13	3.09	2.450	6.00	0.688	.625-11
4	100	4.88	7.880	1.25	2.13	0.472	0.621	0.375	--	--	2.756	--	2.699	6.75	4.09	3.488	7.50	0.688	.625-11
5	125	5.38	8.380	1.25	2.25	0.551	0.745	0.375	--	--	2.756	--	2.699	7.75	4.85	4.296	8.50	0.813	.750-10
6	150	5.88	8.880	1.25	2.25	0.551	0.745	0.375	--	--	2.756	--	2.699	8.63	6.13	5.697	9.50	0.813	.751-10
8	200	7.13	10.250	1.75	2.50	0.669	0.870	0.563	0.438	--	4.921	4.015	4.606	10.56	7.89	7.468	11.75	0.813	.750-10
10	250	8.25	11.500	1.88	2.75	0.866	1.120	0.563	0.438	--	4.921	4.015	4.606	13.06	9.89	9.484	14.25	0.938	.875-9
12	300	9.75	13.250	1.88	3.13	0.945	1.244	0.563	--	--	4.921	--	4.606	16	11.89	11.456	17.00	0.938	.875-9
14*	350	11.00	14.500	1.88	3.13	0.945	1.244	0.563	--	--	4.921	--	$\varnothing 5.91$	17.13	13.38	13.000	18.75	1.060	1.00-8
16*	400	12.00	15.750	2.00	3.50	--	1.313	0.563	--	0.313	4.921	--	$\varnothing 5.91$	20	15.38	14.970	21.25	1.060	1.00-8
18*	450	14.38	16.630	2.00	4.25	--	1.500	0.813	--	0.375	6.496	--	$\varnothing 8.27$	21.38	17.38	16.847	22.75	1.250	1.125-7
20*	500	14.63	18.880	2.50	5.25	--	1.625	0.813	--	0.375	6.496	--	$\varnothing 8.27$	23.31	19.38	18.650	25.00	1.250	1.125-7
24*	600	18.00	22.130	2.75	6.13	--	2.000	0.813	--	0.500	6.496	--	$\varnothing 8.27$	27.88	23.38	22.558	29.50	1.380	1.25-7

* LDI41 SERIES ONLY

Customer Service (704) 841-6000
www.apolloflowcontrols.com

This specification is provided for reference only. Conbraco Industries Inc. reserves the right to change any portion of this specification without notice and without incurring obligation to make such changes to Conbraco products previously or subsequently sold. Please visit apolloflowcontrols.com for the most current information.

