

34BLF Series

Mixing Valve

LEAD FREE

SUBMITTAL SHEET

"Apollo" Flow Controls



Job Name:	
Job Location:	
Engineer:	
Contractor:	
Tag:	
PO#:	
Rep:	
Wholesale Dist.:	

DESCRIPTION

The Apollo® MVB-LF (34BLF Series) Thermostatic Master Mixing Valves are designed to control and limit the volumes of cold and hot water required to deliver mixed water at a predetermined temperature either from the "point of source" or "point of use" application for single or multiple fixtures.

FEATURES

- Highest Capacity That Meets ASSE 1070
- Superior Thermostatic Element Technology for Optimum Reliability, Dependability and Accuracy
- Integral Strainers and Check Valves Provide Protection Against Cross-Flow and Foreign Particles
- Thermostat Over-Temperature Protection
- Tamper Resistant Locking Cap Feature
- Maximum Temperature Setting Adjustment
- Meets the Requirements of the EPA Safe Drinking Water Act
- Instantaneous Cold or Hot Water Supply Failure Shut-Off Protection
- Multiple Connection Options to Fit Your Specific Needs
- Lead Free Construction Certified: 0.25% Lead max
- Made in USA - ARRA Compliant

APPROVALS

- ASSE 1017 - Temperature Actuated Mixing Valve for Hot Water Distribution Systems
- ASSE 1070 - Water Temperature Limiting Device
- CSA B125.3 - Plumbing Supply Fittings
- NSF/ANSI 372 - Lead Free
- NSF/ANSI 61 - Water Quality

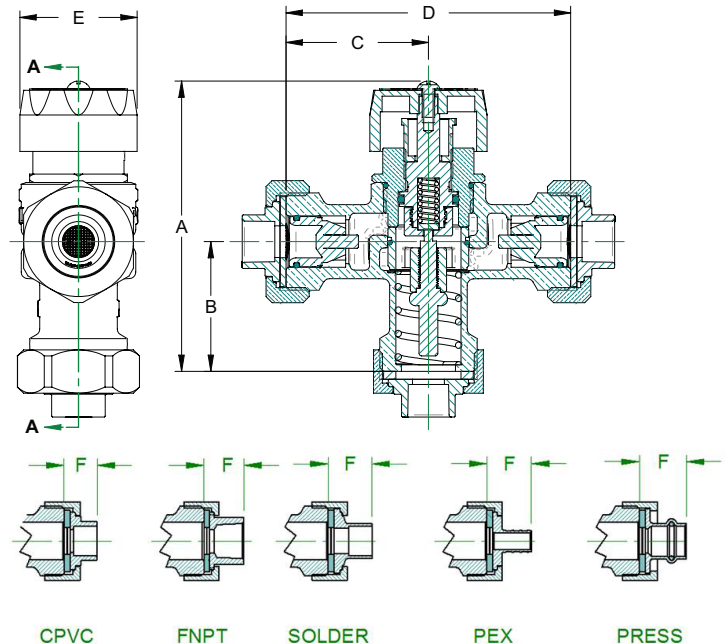
STANDARD MATERIALS LIST

BODY	C89836 Lead Free Bronze
SHUTTLE	Noryl® Modified PPO (Polyphenylene Oxide)
SENSOR	Copper/Wax Filled
O-RING	Chloramine Resistant EPDM
SPRING	ASTM A313 Stainless Steel
CAP	ABS (Acrylonitrile Butadiene Styrene)

DIMENSIONS

MODEL NO.	ORDER NO.	CONNECTION	DIMENSIONS (IN.)						UNIT WT. (LB.)
			A	B	C	D	E	F	
MVB12-LF	34BLF213T	1/2" FNPT	4.52	2.11	2.28	4.56	1.87	0.73	2.8
MVB34-LF	34BLF214T	3/4" FNPT	4.52	2.11	2.28	4.56	1.87	0.77	2.8
MVB1-LF	34BLF215T	1" FNPT	4.52	2.11	2.28	4.56	2.12	0.94	2.9
MVBS12-LF	34BLF213S	1/2" Solder	4.52	2.11	2.28	4.56	1.87	0.81	2.5
MVBS34-LF	34BLF214S	3/4" Solder	4.52	2.11	2.28	4.56	1.87	0.81	2.6
MVBS1-LF	34BLF215S	1" Solder	4.52	2.11	2.28	4.56	2.12	0.94	2.7
MVBC12-LF	34BLF213C	1/2" CPVC	4.52	2.11	2.28	4.56	1.87	0.58	2.4
MVBC34-LF	34BLF214C	3/4" CPVC	4.52	2.11	2.28	4.56	1.87	0.80	2.4
MVBC1-LF	34BLF215C	1" CPVC	4.52	2.11	2.28	4.56	2.12	1.09	2.5
MVBX12-LF	34BLF213X	1/2" PEX	4.52	2.11	2.28	4.56	1.87	0.83	2.5
MVBX34-LF	34BLF214X	3/4" PEX	4.52	2.11	2.28	4.56	1.87	0.83	2.6
MVBX1-LF	34BLF215X	1" PEX	4.52	2.11	2.28	4.56	2.12	1.04	2.7
MVBX212-LF	34BLF213X2	1/2" PEX F1960*	4.52	2.11	2.28	4.56	1.87	1.03	2.5
MVBX234-LF	34BLF214X2	3/4" PEX F1960*							2.6

*PEX A (ASTM F1960) Cold Expansion PEX



*LEAD FREE: The wetted surfaces of this product shall contain no more than 0.25% lead by weighted average. Complies with Federal Public Law III-380. ANSI 3rd party approved and listed.

Customer Service (704) 841-6000
www.apolloflowcontrols.com

This specification is provided for reference only. Conbraco Industries Inc. reserves the right to change any portion of this specification without notice and without incurring obligation to make such changes to Conbraco products previously or subsequently sold. Please visit apolloflowcontrols.com for the most current information.



34BLF Series

Mixing Valve

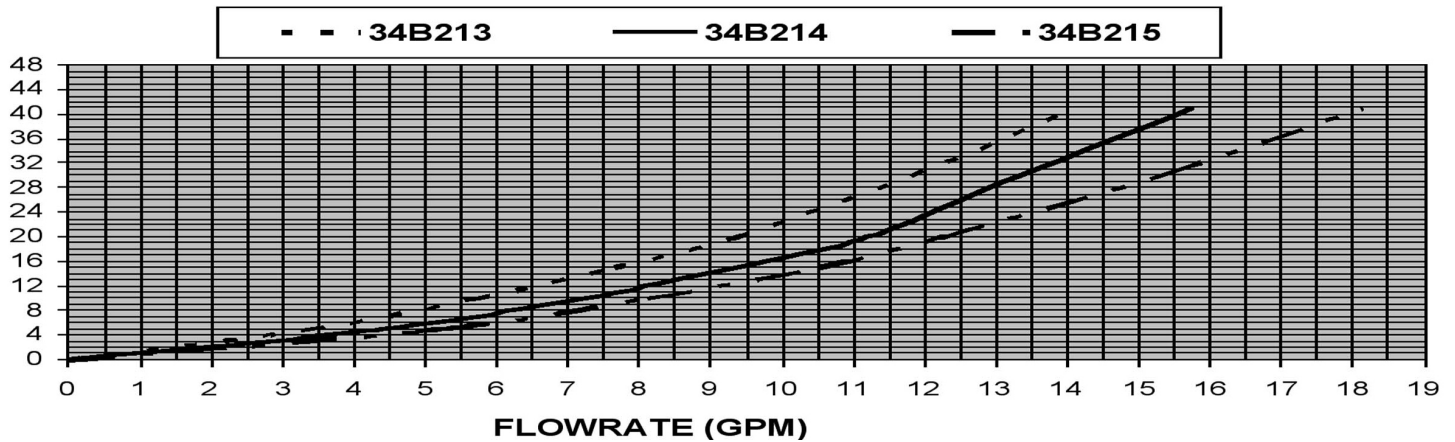
LEAD FREE

SUBMITTAL SHEET

"Apollo" Flow Controls

PERFORMANCE RATING

- Maximum Supply Pressure: 150 psig (1034 kPa)
- Maximum Working Temperature: 200°F (83°C)
- Cold Water Inlet Temperature Range: 39° - 80°F
- Hot Water Inlet Temperature Range: 120° - 180°F (49° - 82°C)
- Mixed Water Temperature Range: 80° - 120°F (27° - 49°C)
- Mixed Water Temperature Tolerance: ± 7°F
- Minimum Flow Rate: 1.5 gpm (5.7 lpm)
- Maximum Pressure Differential Between H/C: 25%
- Minimum Inlet/Outlet Temperature Differential: 15°F



SIZE (IN.)	CONNECTION	MODEL NO.	ORDER NO.
1/2"	Solder inlets X Solder outlet	MVBS12-LF	34BLF213S
	FNPT inlets X FNPT outlet	MVB12-LF	34BLF213T
	CPVC inlets X CPVC outlet	MVBC12-LF	34BLF213C
	PEX inlets X PEX outlet	MVBX12-LF	34BLF213X
	PEX F1960 inlets X PEX F1960 outlet*	MVBX212-LF	34BLF213X2
	Solder inlets X CPVC outlet	MVBSC12-LF	34BLF213SC
	FNPT inlets X CPVC outlet	MVBTC12-LF	34BLF213TC
	PEX inlets X CPVC outlet	MVBXC12-LF	34BLF213XC
	CPVC inlets X PEX outlet	MVBCX12-LF	34BLF213CX
3/4"	Solder inlets X Solder outlet	MVBS34-LF	34BLF214S
	FNPT inlets X FNPT outlet	MVB34-LF	34BLF214T
	CPVC inlets X CPVC outlet	MVBC34-LF	34BLF214C
	PEX inlets X PEX outlet	MVBX34-LF	34BLF214X
	PEX F1960 inlets X PEX F1960 outlet*	MVBX234-LF	34BLF214X2
	Solder inlets X CPVC outlet	MVBSC34-LF	34BLF214SC
	FNPT inlets X CPVC outlet	MVBTC34-LF	34BLF214TC
	PEX inlets X CPVC outlet	MVBXC34-LF	34BLF214XC
	CPVC inlets X PEX outlet	MVBCX34-LF	34BLF214CX
1"	Solder inlets X Solder outlet	MVBS1-LF	34BLF215S
	FNPT inlets X FNPT outlet	MVB1-LF	34BLF215T
	PEX inlets X PEX outlet	MVBX1-LF	34BLF215X

To order Repair Kits use part number 34B200RK.

* PEX A (ASTM F1960) Cold Expansion PEX