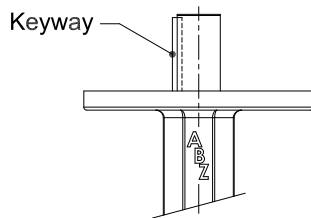
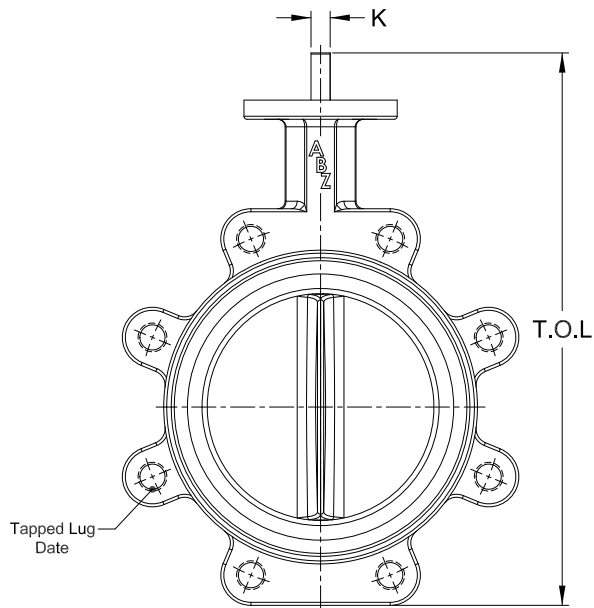


Top View

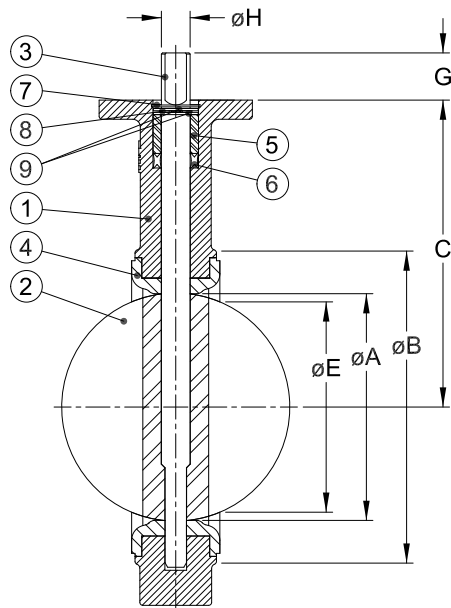


10" & 12" Stem

Valve Parts			
Item No.	Name	Material	No. Req'd
1	Lug Body	-	1
2	Disc	-	1
3	Stem	-	1
4	Seat	-	1
5	Bushing	-	1
6	Seal	-	1
7	Body Clip	-	1
8	Stem Clip	-	1
9	Washer	-	2



Flow View



Section View

Notes:

- The Figure 397 valve can not be used on a pipe or flange with an inside diameter less than the "E" dimension.
- Installation Direction: Bi-directional and dead end service

Valve Dimensions

Design Standard API 609 Cat. A	CWP Rating 200 PSI	Flange Connection B16.1 / B16.5	Test Standard API 598
		Valve Solutions ABZ Valves & Controls 	
		Title: <b>Resilient Seated Butterfly Valve</b> <b>Series 397 - Lug Type</b>	
DWG No. <b>2"-12" 397-Bare Stem</b>		Unit inch	
Date 09-22-11	Drawn BC	Checked Tp	Dimensions are subject to change without notice.
			Revision 0

Valve Size	øA	øB	C	D	øE	øF	G	øH	K	Keyway	T.O.L	Weight	Top Plate Drilling			Tapped Lug Data		
													Bolt Circle	No. of Holes	Hole Dia.	Bolt Circle	No. of Holes	Tap
2"	2	3 1/2	5 1/2	1 5/8	1 3/8	4	1 1/4	9/16	3/8	---	9.25	7 lbs	3 1/4 / F07	4	7/16	4 3/4	4	5/8"-11 unc
2 1/2"	2 1/2	4	6	1 3/4	2 1/16	4	1 1/4	9/16	3/8	---	10.00	9 lbs	3 1/4 / F07	4	7/16	5 1/2	4	5/8"-11 unc
3"	3 1/8	4 3/4	6 1/4	1 3/4	2 9/16	4	1 1/4	9/16	3/8	---	10.45	10 lbs	3 1/4 / F07	4	7/16	6	4	5/8"-11 unc
4"	4 1/8	5 15/16	7	2	3 5/8	4	1 1/4	5/8	7/16	---	12.50	20 lbs	3 1/4 / F07	4	7/16	7 1/2	8	5/8"-11 unc
5"	4 15/16	7 1/8	7 1/2	2 1/8	4 3/4	4	1 1/4	3/4	1/2	---	13.50	24 lbs	3 1/4 / F07	4	7/16	8 1/2	8	3/4"-10-unc
6"	6	8 3/16	8	2 1/8	5 1/2	4	1 1/4	3/4	1/2	---	14.42	26 lbs	3 1/4 / F07	4	7/16	9 1/2	8	3/4"-10-unc
8"	7 15/16	10 1/4	9 1/2	2 1/2	7 1/2	6	1 1/4	7/8	5/8	---	17.20	41 lbs	5	4	9/16	11 3/4	8	3/4"-10-unc
10"	9 3/4	12 5/8	10 3/4	2 1/2	9 5/8	6	2	1 1/8	---	1/4x1/4	20.44	64 lbs	5	4	9/16	14 1/4	12	7/8"-9 unc
12"	11 1/2	14 5/8	12 1/4	3	11 9/16	6	2	1 1/8	---	1/4x1/4	23.26	89 lbs	5	4	9/16	17	12	7/8"-9 unc